

ABB INSTRUMENTATION

C1900 COMMANDER CIRCLE RECORDER

PRODUCT GROUP: CTA/0010

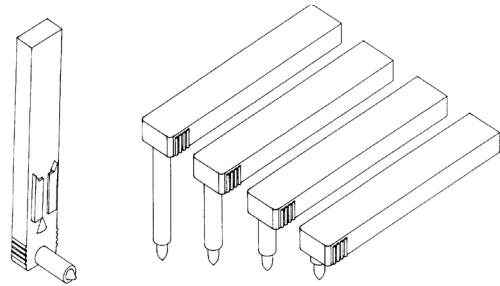
OEM PART #	ORDER REF	PRINTED	ROTATION	QTY/ PKG.	RANGE / DESCRIPTION
500P1225-1	0014673	ONE SIDE	24HR	100	0-100 LINEAR

MANY OTHER CHARTS AVAILABLE FOR THIS RECORDER, PLEASE ENQUIRE

C1900 COMMANDER DISPOSABLE FIBRE TIPPED PENS

PRODUCT GROUP: UD20

OEM PART #	ORDER REF	COLOUR	QTY/ PKG.
C1900-0119	1009585	BLACK	3
C1900-0120	1011105	BLUE	3
C1900-0121	1011104	RED	3
C1900-0122	1011103	GREEN	3
C1900-0123	1010581	VIOLET	3



FULSCOPE ERC SERIES CIRCULAR CHARTS

PRODUCT GROUP: CTA/0010

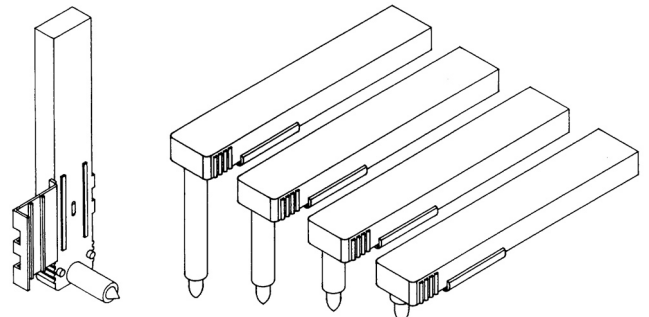
OEM PART #	ORDER REF	PRINTED	ROTATION	QTY/ PKG.	RANGE / DESCRIPTION
500P1225-1	0014673	ONE SIDE	24HR	100	0-100 LINEAR
500P1225-2	0014686	ONE SIDE	7DAY	100	0-100 LINEAR

MANY OTHER CHARTS AVAILABLE FOR THIS RECORDER, PLEASE ENQUIRE

FULSCOPE ERC DISPOSABLE FIBRE TIPPED PENS

PRODUCT GROUP: UD24

OEM PART #	ORDER REF	COLOUR	QTY/ PKG.
500S1150-1	0077179	RED	5
500S1150-2	0077185	GREEN	5
500S1150-3	0077178	BLUE	5



FOR OTHER RECORDER MODELS OR NON-STANDARD CHARTS PLEASE ENQUIRE

ABB INSTRUMENTATION

FULSCOPE PNEUMATIC CIRCULAR CHART

PRODUCT GROUP: CTA/0011

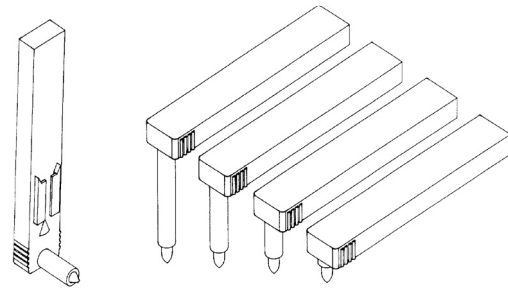
OEM PART #	ORDER REF	PRINTED	ROTATION	QTY/ PKG.	RANGE / DESCRIPTION
OP1668	0038581	ONE SIDE	12HR	100	127-220 FHTST

MANY OTHER CHARTS AVAILABLE FOR THIS RECORDER, PLEASE ENQUIRE

FULSCOPE PNEUMATIC DISPOSABLE FIBRE TIPPED PENS

PRODUCT GROUP: UD20

OEM PART #	ORDER REF	COLOUR	QTY/ PKG.
54S206R	0056296	RED	6
54S206B	0051873	BLUE	6
54S207R	0063354	RED	6
54S207B	0059095	BLUE	6
54S208P	0063430	VIOLET	6



MODELS PX105, PXR105 & P105M CIRCULAR CHART RECORDERS

PRODUCT GROUP: CCA/0011

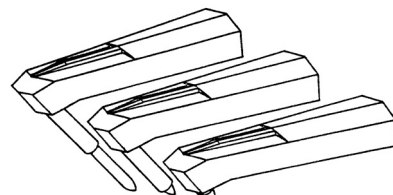
OEM PART #	ORDER REF	PRINTED	ROTATION	QTY/ PKG.	RANGE / DESCRIPTION
510	0014979	ONE SIDE	24HR	100	0-100 LINEAR

MANY OTHER CHARTS AVAILABLE FOR THIS RECORDER, PLEASE ENQUIRE

MODELS PX105, PXR105 & P105M DISPOSABLE FIBRE TIPPED PENS

PRODUCT GROUP: FD34

OEM PART #	ORDER REF	COLOUR	QTY/ PKG.
P105M0301	0049594	RED	5
P105M0302	0049593	GREEN	5
P105M0303	0051929	VIOLET	5



FOR OTHER RECORDER MODELS OR NON-STANDARD CHARTS PLEASE ENQUIRE

ABB INSTRUMENTATION

MODELS PX100, PX600, P100M, P600M & P100L STRIP CHARTS

PRODUCT GROUP: RCA/0120 (ROLLS) PCA/0120 (Z-FOLD)

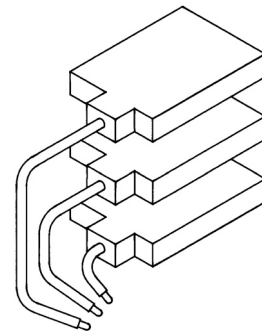
OEM PART #	ORDER REF	TYPE	UNIT LENGTH	CHART WIDTH	QTY/ PKG.	RANGE / DESCRIPTION
P100L/41/7400G	0040041	ROLL	1 x 15m	120mm	1 ROLL	0-100 LINEAR
P100L/41/7400X	0040049	Z-FOLD	2 x 8m	120mm	2 PACKS	0-100 LINEAR

MANY OTHER CHARTS AVAILABLE FOR THIS RECORDER, PLEASE ENQUIRE

DISPOSABLE FIBRE TIPPED PENS FOR ABOVE MODELS

PRODUCT GROUP: MT13

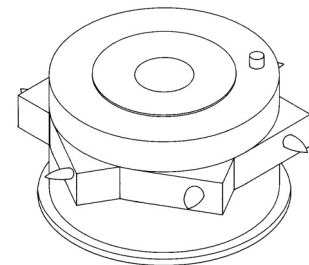
OEM PART #	ORDER REF	COLOUR	QTY/ PKG.
P100L/1095	0049615	RED	3
P100M/0056	0049617	GREEN	3
P100L/0060A	0049618	VIOLET	3
P103L/0060	0049619	ONE OF EACH COLOUR	3



MODEL P600M PRINT WHEEL

PRODUCT GROUP: 6PW04

OEM PART #	ORDER REF	COLOUR	QTY/ PKG.
P600M-0006	0071242	6 COLOUR VIOLET RED BLACK GREEN BLUE BROWN	2



PR100 COMMANDER RECORDER

PRODUCT GROUP: RCA/0122 (ROLLS) PCA/0122 (Z-FOLD)

OEM PART #	ORDER REF	TYPE	UNIT LENGTH	CHART WIDTH	QTY/ PKG.	RANGE / DESCRIPTION
PR100/9002R	0073604	ROLL	1 x 25m	120mm	1 ROLL	NO RANGE, 50 DIVS
PR100/9002F	0074243	Z-FOLD	1 x 16m	120mm	2 PACKS	NO RANGE, 50 DIVS

MANY OTHER CHARTS AVAILABLE FOR THIS RECORDER, PLEASE ENQUIRE

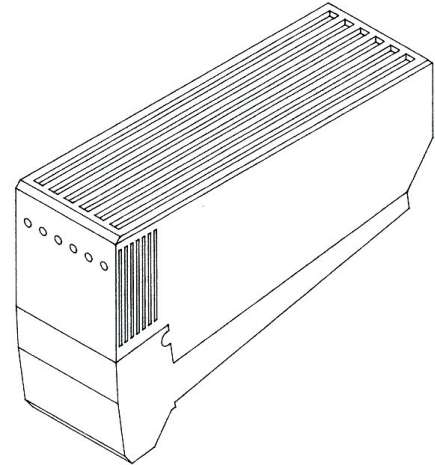
FOR OTHER RECORDER MODELS OR NON-STANDARD CHARTS PLEASE ENQUIRE

ABB INSTRUMENTATION

PR100 COMMANDER PRINTHEAD

PRODUCT GROUP: 6PH03

OEM PART #	ORDER REF	COLOUR	QTY/ PKG.
PR100/0210	0075834	3 COLOUR RED GREEN BLUE	1
PR100/0211	0074911	6 COLOUR	1



PR250 COMMANDER RECORDER

PRODUCT GROUP: RCA/0122 (ROLLS) PCA/0122 (Z-FOLD)

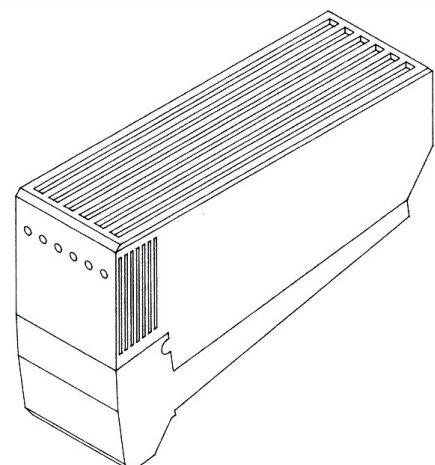
OEM PART #	ORDER REF	TYPE	UNIT LENGTH	CHART WIDTH	QTY/ PKG.	RANGE / DESCRIPTION
PR250/9006R	0087059	ROLL	1 x 25m	250mm	1 ROLL	NO RANGE, 100 DIVS

MANY OTHER CHARTS AVAILABLE FOR THIS RECORDER, PLEASE ENQUIRE

PR250 COMMANDER PRINTHEAD

PRODUCT GROUP: 6PH03

OEM PART #	ORDER REF	COLOUR	QTY/ PKG.
PR100/0210	0074911	6 COLOUR VIOLET RED BLACK GREEN BLUE BROWN	1



FOR OTHER RECORDER MODELS OR NON-STANDARD CHARTS PLEASE ENQUIRE

ABB INSTRUMENTATION

QUICKSCAN SERIES ELECTRONIC & PNEUMATIC STRIP CHARTS

PRODUCT GROUP: RTA/0112 (ROLLS)

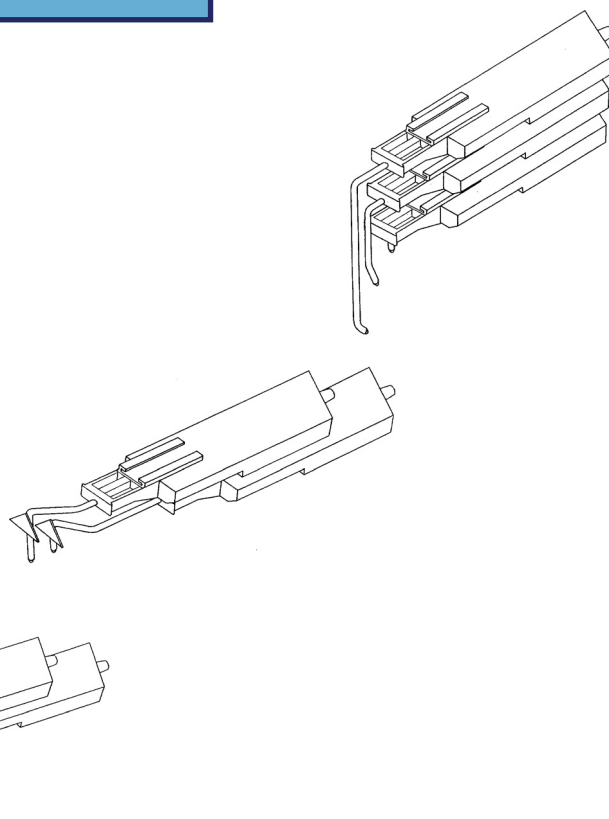
OEM PART #	ORDER REF	TYPE	UNIT LENGTH	CHART WIDTH	QTY/ PKG.	RANGE / DESCRIPTION
82S400	0023057	ROLL	1 x 20m	112mm	1 ROLL	0-100 LINEAR
82S495	0023167	ROLL	1 x 20m	112mm	1 ROLL	0-20 LINEAR

MANY OTHER CHARTS AVAILABLE FOR THIS RECORDER, PLEASE ENQUIRE

DISPOSABLE FIBRE TIPPED PENS FOR ABOVE MODELS

PRODUCT GROUP: MT40, MT41 & MT43

OEM PART #	ORDER REF	COLOUR	QTY/ PKG.
54S39RTA	0049660	RED	3
54S41BTA	0049662	BLUE	3
54S42GTA	0049657	GREEN	3
54S43RTA	0063187	RED	3
54S44GTA	0062065	GREEN	3
54S45RTA	0056303	RED	3
54S46BTA	0056304	BLUE	3
54S125RTA	0049666	RED	3
54S126GTA	0049667	GREEN	3
54S127BTA	0043397	BLUE	3



FOR OTHER RECORDER MODELS OR NON-STANDARD CHARTS PLEASE ENQUIRE