

BAILEY

MODELS C, D, K, L, W & WS12" CIRCULAR CHART RECORDERS

PRODUCT GROUP: CBA/011A

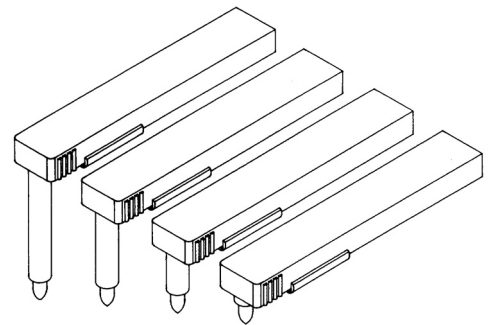
OEM PART #	ORDER REF	PRINTED	ROTATION	QTY/ PKG.	RANGE / DESCRIPTION
L300K	0082426	ONE SIDE	24HR	100	0 - 300

MANY OTHER CHARTS AVAILABLE FOR THIS RECORDER, PLEASE ENQUIRE

FIBRE TIPPED PENS FOR MODELS C, D, K, L, W & WS

PRODUCT GROUP: UD24 (EQUIVALENT 39 SERIES)

OEM PART #	ORDER REF	COLOUR	QTY/ PKG.
	0049737	RED	6
	0049743	BLUE	6
	0049749	GREEN	6
	0049755	VIOLET	6



WC SERIES 10" CIRCULAR CHART RECORDERS

PRODUCT GROUP: CCS/0010

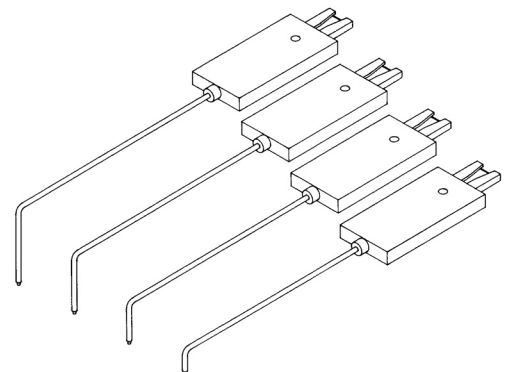
OEM PART #	ORDER REF	PRINTED	ROTATION	QTY/ PKG.	RANGE / DESCRIPTION
GD239348U100	0033470	ONE SIDE	24HR	100	0 - 100 LINEAR

MANY OTHER CHARTS AVAILABLE FOR THIS RECORDER, PLEASE ENQUIRE

FIBRE TIPPED PENS FOR MODELS KM55 & WM55

PRODUCT GROUP: MX04 (EQUIVALENT 82 - 76)

OEM PART #	ORDER REF	COLOUR	QTY/ PKG.
1948561A4	0078108	VIOLET	3
1948561A3	0078111	GREEN	3
1948561A2	0078115	BLUE	3
1948561A1	0078118	RED	3



FOR OTHER RECORDER MODELS OR NON-STANDARD CHARTS PLEASE ENQUIRE

MODELS 771, 772 & 773 STRIP CHART RECORDERS

PRODUCT GROUP: PBA/0123 (Z-FOLD)

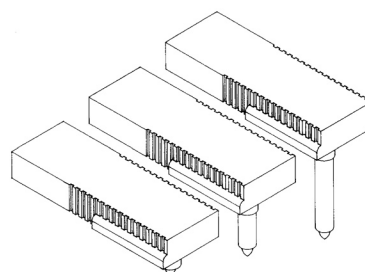
OEM PART #	ORDER REF	TYPE	UNIT LENGTH	CHART WIDTH	QTY/ PKG.	RANGE / DESCRIPTION
FA100	0073293	Z-FOLD	2 x 15m	123mm	1 PACK	0 - 100 LINEAR

MANY OTHER CHARTS AVAILABLE FOR THIS RECORDER, PLEASE ENQUIRE

FIBRE TIPPED PENS FOR MODELS 771, 772 & 773

PRODUCT GROUP: FD16 (EQUIVALENT TO 82 - 38)

OEM PART #	ORDER REF	COLOUR	QTY/ PKG.
2157B01P0001	0078100	RED	3
2157B01P0002	0078099	BLUE	3
2157B01P0003	0078097	GREEN	3



FOR OTHER RECORDER MODELS OR NON-STANDARD CHARTS PLEASE ENQUIRE