

ENDRESS & HAUSER

CHROMALOG L & P STRIP CHART

PRODUCT GROUP: THB302

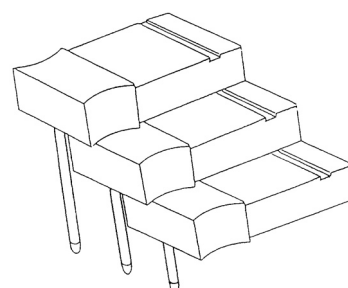
OEM PART #	ORDER REF	TYPE	UNIT LENGTH	CHART WIDTH	QTY/ PKG.	RANGE / DESCRIPTION
50034734	0064068	Z-FOLD	1 x16m	120mm	1 PACK	

MANY OTHER CHARTS AVAILABLE FOR THIS RECORDER, PLEASE ENQUIRE

CHROMALOG DISPOSABLE FIBRE TIPPED PENS

PRODUCT GROUP: MT85

OEM PART #	ORDER REF	COLOUR	QTY/ PKG.
50034718	0072850	BLUE	5
50034719	0072851	RED	5
50034720	0073949	GREEN	5



CHROMALOG P PRINT WHEEL

PRODUCT GROUP: 50034733

OEM PART #	ORDER REF	COLOUR	QTY/ PKG.
50034733	2008465	6 COLOUR VIOLET RED BLACK GREEN BLUE BROWN	1

CHROMALOG SL & SP STRIP CHARTS

PRODUCT GROUP: RZO/0120 (ROLL) PZO/0120 (Z-FOLDS)

OEM PART #	ORDER REF	TYPE	UNIT LENGTH	CHART WIDTH	QTY/ PKG.	RANGE / DESCRIPTION
50045256	0071662	ROLL	1 x32m	120mm	1 ROLL	0-100 LINEAR
50045258	0079905	Z-FOLD	1 x16m	120mm	1 PACK	0-100 LINEAR 1-24@20mm

MANY OTHER CHARTS AVAILABLE FOR THIS RECORDER, PLEASE ENQUIRE

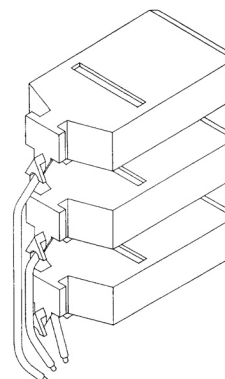
FOR OTHER RECORDER MODELS OR NON-STANDARD CHARTS PLEASE ENQUIRE

ENDRESS & HAUSER

CHROMALOG SL DISPOSABLE FIBRE TIPPED PENS

PRODUCT GROUP: MX11 (1992 - 1994 models)

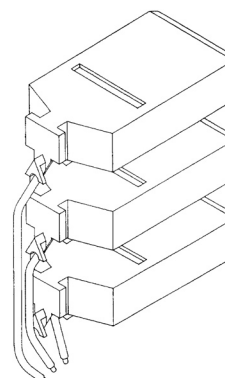
OEM PART #	ORDER REF	COLOUR	QTY/ PKG.
50044856	1010575	BLUE	1
50044857	1010576	RED	1
50044858	1010577	GREEN	1



CHROMALOG SL DISPOSABLE FIBRE TIPPED PENS

PRODUCT GROUP: MX11 (1994 models)

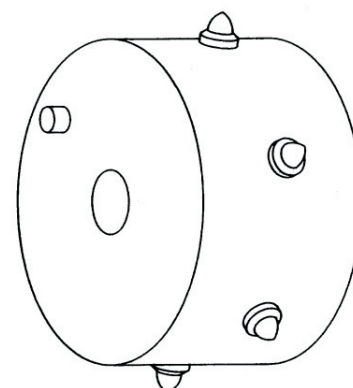
OEM PART #	ORDER REF	COLOUR	QTY/ PKG.
50064978	1010575	BLUE	1
50064977	1010576	RED	1
50064976	1010577	GREEN	1



CHROMALOG SP PRINT WHEEL

PRODUCT GROUP: 50044813

OEM PART #	ORDER REF	COLOUR	QTY/ PKG.
50044813	0078730	6 COLOUR VIOLET RED BLACK GREEN BLUE BROWN	1



MEGALOG, MEGALOG T, TL, TN & TP STRIP CHARTS

PRODUCT GROUP: PRRE69 (ROLLS) ENH301 (Z-FOLDS)

OEM PART #	ORDER REF	TYPE	UNIT LENGTH	CHART WIDTH	QTY/ PKG.	RANGE / DESCRIPTION
50053450	0078142	ROLL	1 x24m	120mm	1 ROLL	THERMAL, PLAIN
50052817	0079929	Z-FOLD	1 x16m	120mm	1 PACK	THERMAL, PLAIN

MANY OTHER CHARTS AVAILABLE FOR THIS RECORDER, PLEASE ENQUIRE

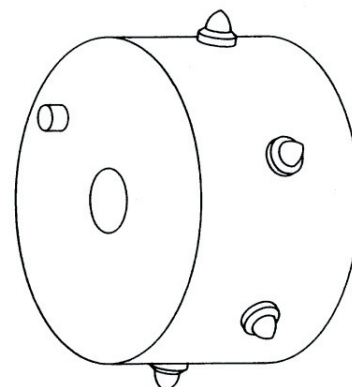
FOR OTHER RECORDER MODELS OR NON-STANDARD CHARTS PLEASE ENQUIRE

ENDRESS & HAUSER

CHROMALOG TP & TN PRINT WHEEL

PRODUCT GROUP: 50044813

OEM PART #	ORDER REF	COLOUR	QTY/ PKG.
50044813	0078730	6 COLOUR VIOLET RED BLACK GREEN BLUE BROWN	1



PRIMO MULTI - SERIES RECORDERS

PRODUCT GROUP: PRRA66 (ROLL)

OEM PART #	ORDER REF	TYPE	UNIT LENGTH	CHART WIDTH	QTY/ PKG.	RANGE / DESCRIPTION
50033276	0063435	ROLL	1 x25m	60mm	1 ROLL	THERMAL, PLAIN

MANY OTHER CHARTS AVAILABLE FOR THIS RECORDER, PLEASE ENQUIRE

ALPHALOG STRIP CHART

PRODUCT GROUP: ENH108 (ROLL)

OEM PART #	ORDER REF	TYPE	UNIT LENGTH	CHART WIDTH	QTY/ PKG.	RANGE / DESCRIPTION
50074276	2021971	ROLL	1 x64m	120mm	1 ROLL	0-100 / 1-24@20MM

MANY OTHER CHARTS AVAILABLE FOR THIS RECORDER, PLEASE ENQUIRE

ALPHALOG PRINTHEAD

PRODUCT GROUP: 50073913

OEM PART #	ORDER REF	COLOUR	QTY/ PKG.
50073913	1011577	6 COLOUR VIOLET RED BLACK GREEN BLUE BROWN	1

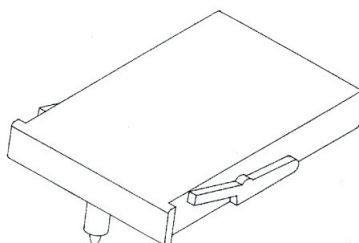
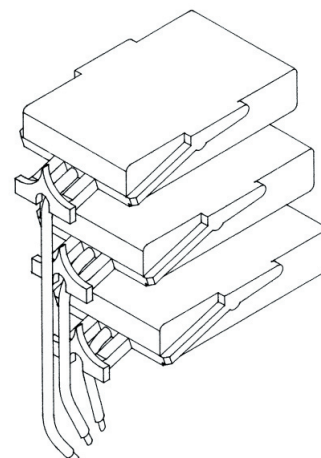
FOR OTHER RECORDER MODELS OR NON-STANDARD CHARTS PLEASE ENQUIRE

ENDRESS & HAUSER

ALPHALOG DISPOSABLE FIBRE TIPPED PENS

PRODUCT GROUP: MX20

OEM PART #	ORDER REF	COLOUR	QTY/ PKG.
50073115	0090143	BLUE	1
50073116	0082983	RED	1
50073117	0082985	GREEN	1
50074032	0082984	MAGENTA	1



UNI-BIT STRIP CHARTS

PRODUCT GROUP: PRRE69 (ROLLS) ENH301 (Z-FOLDS)

OEM PART #	ORDER REF	TYPE	UNIT LENGTH	CHART WIDTH	QTY/ PKG.	RANGE / DESCRIPTION
50053450	0078142	ROLL	1 x24m	120mm	1 ROLL	THERMAL, PLAIN
50052817	0079929	Z-FOLD	1 x16m	120mm	1 PACK	THERMAL, PLAIN

MANY OTHER CHARTS AVAILABLE FOR THIS RECORDER, PLEASE ENQUIRE

FOR OTHER RECORDER MODELS OR NON-STANDARD CHARTS PLEASE ENQUIRE