

HONEYWELL

22, 45, 60, 70, 152 & DR 4500 CLASSIC (12") CIRCULAR CHARTS

PRODUCT GROUP: CHB/0012

OEM PART #	ORDER REF	PRINTED	ROTATION	QTY/ PKG.	RANGE / DESCRIPTION
14012	0003394	ONE SIDE	24HR	100	0-100 LINEAR
30755311	0009241	ONE SIDE	24HR	100	0-100 LINEAR
30755311	0064651	ONE SIDE	7 DAY	100	0-100 LINEAR

MANY OTHER CHARTS AVAILABLE FOR THIS RECORDER, PLEASE ENQUIRE

AR 100 & DR 4200 (10") CIRCULAR CHART

PRODUCT GROUP: CHB/0010

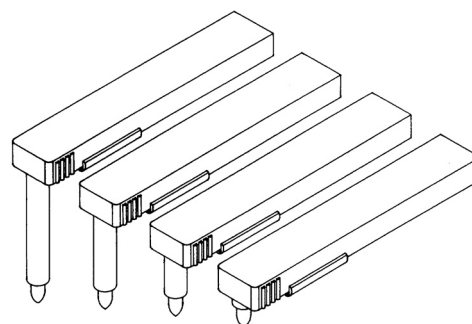
OEM PART #	ORDER REF	PRINTED	ROTATION	QTY/ PKG.	RANGE / DESCRIPTION
24001660-001	0006784	ONE SIDE	24HR	100	0-100 LINEAR

MANY OTHER CHARTS AVAILABLE FOR THIS RECORDER, PLEASE ENQUIRE

MODELS AR 100 & 4200 DISPOSABLE FIBRE TIPPED PENS

PRODUCT GROUP: UD24

OEM PART #	ORDER REF	COLOUR	QTY/ PKG.
30735489-001	0049745	VIOLET	6
30735489-002	0049742	RED	6
30735489-003	0049744	GREEN	6
30735489-004	0049738	BLUE	6
30735489-005	0049737	RED	6
30735489-006	0049749	GREEN	6
30735489-007	0049750	VIOLET	6



DR 4500 TRULINE (THERMAL PAPER) CIRCULAR CHART

PRODUCT GROUP: CHB/0013

OEM PART #	ORDER REF	PRINTED	ROTATION	QTY/ PKG.	RANGE / DESCRIPTION
30755317-001	0009242	ONE SIDE	BLANK	100	BLANK

FOR OTHER RECORDER MODELS OR NON-STANDARD CHARTS PLEASE ENQUIRE

HONEYWELL

TDC2000/3000 STRIP CHART

PRODUCT GROUP: RHB/0111 (ROLLS)

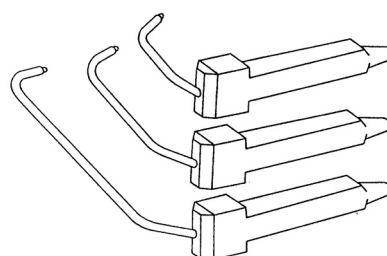
OEM PART #	ORDER REF	TYPE	UNIT LENGTH	CHART WIDTH	QTY/ PKG.	RANGE / DESCRIPTION
781927-002-01	0020474	ROLL	1 x 16m	110mm	1 ROLL	0-100 LINEAR

MANY OTHER CHARTS AVAILABLE FOR THIS RECORDER, PLEASE ENQUIRE

MODELS TDC2000/3000 DISPOSABLE FIBRE TIPPED PENS

PRODUCT GROUP: MT34

OEM PART #	ORDER REF	COLOUR	QTY/ PKG.
30750524-001	0049640	RED	6
30750524-002	0049641	BLUE	6
30750524-003	0049642	GREEN	6



DPR 1000 STRIP CHARTS

PRODUCT GROUP: RHB/0121 (ROLLS PHB/0121 (Z-FOLDS))

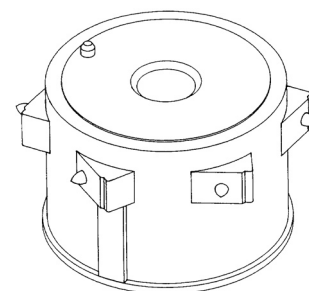
OEM PART #	ORDER REF	TYPE	UNIT LENGTH	CHART WIDTH	QTY/ PKG.	RANGE / DESCRIPTION
46180522-001	0013400	ROLL	1 x 15m	120mm	1 ROLL	NO RANGE 50 DIVISIONS
46180582-001	0013359	Z-FOLD	1 x 15m	120mm	1 PACK	NO RANGE 50 DIVISIONS

MANY OTHER CHARTS AVAILABLE FOR THIS RECORDER, PLEASE ENQUIRE

DPR 1000 PRINT WHEEL

PRODUCT GROUP: 6PW14

OEM PART #	ORDER REF	COLOUR	QTY/ PKG.
46180501-001	0065809	6 COLOUR BROWN VIOLET RED BLACK GREEN BLUE	1



FOR OTHER RECORDER MODELS OR NON-STANDARD CHARTS PLEASE ENQUIRE

HONEYWELL

RL 100 STRIP CHARTS

PRODUCT GROUP: RHB/0120 (ROLLS) PHB/0120 (Z-FOLDS)

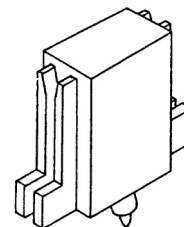
OEM PART #	ORDER REF	TYPE	UNIT LENGTH	CHART WIDTH	QTY/ PKG.	RANGE / DESCRIPTION
46180184-009	0013572	ROLL	1 x 15m	120mm	1 ROLL	0-100 LINEAR
46180183-009	0013379	Z-FOLD	1 x 15m	120mm	2 PACKS	0-100 LINEAR

MANY OTHER CHARTS AVAILABLE FOR THIS RECORDER, PLEASE ENQUIRE

MODEL RL 100 DISPOSABLE FIBRE TIPPED PENS

PRODUCT GROUP: SD22

OEM PART #	ORDER REF	COLOUR	QTY/ PKG.
46180185-502	0049704	BLUE	6
46180185-501	0056575	RED	6



DPR 3000 STRIP CHARTS

PRODUCT GROUP: RHB/0310 (ROLLS) PHB/0308 (Z-FOLDS)

OEM PART #	ORDER REF	TYPE	UNIT LENGTH	CHART WIDTH	QTY/ PKG.	RANGE / DESCRIPTION
46182708-001	0050154	ROLL	1 x 35m	308mm	1 ROLL	NO RANGE
46182707-001	0050432	Z-FOLD	1 x 35m	308mm	2 PACKS	NO RANGE

MANY OTHER CHARTS AVAILABLE FOR THIS RECORDER, PLEASE ENQUIRE

MODEL DPR 3000 INK RIBBON

PRODUCT GROUP: 46182712-001

OEM PART #	ORDER REF	COLOUR	QTY/ PKG.
46182712-001	0065808	6 COLOUR BROWN PURPLE RED BLACK GREEN BLUE	1

FOR OTHER RECORDER MODELS OR NON-STANDARD CHARTS PLEASE ENQUIRE

HONEYWELL

DPR 100 A & B STRIP CHARTS

PRODUCT GROUP: RHB/0122 (ROLLS) PHB/0122 (Z-FOLDS)

OEM PART #	ORDER REF	TYPE	UNIT LENGTH	CHART WIDTH	QTY/ PKG.	RANGE / DESCRIPTION
461870440-50	0071792	ROLL	1 x 24m	120mm	1 ROLL	50 DIVISIONS
461870440-75	0071837	ROLL	1 x 24m	120mm	1 ROLL	75 DIVISIONS
461870450-50	0071793	Z-FOLD	1 x 18m	120mm	2 PACKS	50 DIVISIONS
461870450-75	0071831	Z-FOLD	1 x 18m	120mm	2 PACKS	75 DIVISIONS

MANY OTHER CHARTS AVAILABLE FOR THIS RECORDER, PLEASE ENQUIRE

DPR 100 DISPOSABLE FIBRE TIPPED PENS

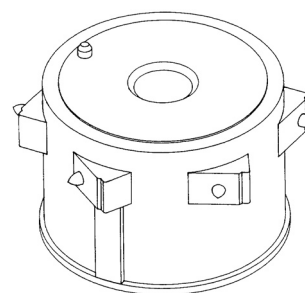
PRODUCT GROUP: 46187001

OEM PART #	ORDER REF	COLOUR	QTY/ PKG.
46187001-001	0074567	BLUE	1
46187001-002	0075891	RED	1
46187001-003	0077334	GREEN	1

DPR 100 PRINT WHEEL

PRODUCT GROUP: 6PW14

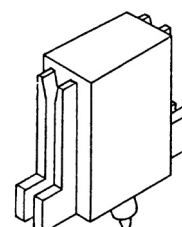
OEM PART #	ORDER REF	COLOUR	QTY/ PKG.
46180501-001	0065809	6 COLOUR BROWN VIOLET RED BLACK GREEN BLUE	1



TEL-O-SET. 703-723 DISPOSABLE FIBRE TIPPED PENS

PRODUCT GROUP: SD22

OEM PART #	ORDER REF	COLOUR	QTY/ PKG.
46180185-502	0049704	BLUE	6
46180185-501	0056575	RED	6



FOR OTHER RECORDER MODELS OR NON-STANDARD CHARTS PLEASE ENQUIRE