

TRACELEC & E5200 RECORDER CHARTS

PRODUCT GROUP: RMC/0120 (ROLLS) PMC/0120 (Z-FOLDS)

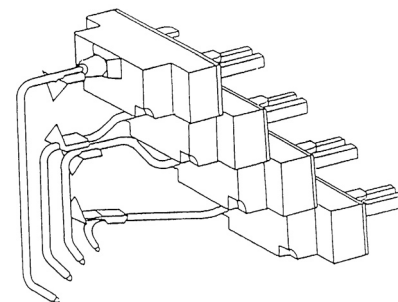
OEM PART #	ORDER REF	TYPE	UNIT LENGTH	CHART WIDTH	QTY/ PKG.	RANGE / DESCRIPTION
M20173	0035393	ROLL	1 x 16m	120mm	1 ROLL	0-100
M11453	0070025	Z-FOLD	2 x 8m	120mm	2 PACKS	0-10 LINEAR

MANY OTHER CHARTS AVAILABLE FOR THIS RECORDER, PLEASE ENQUIRE

DISPOSABLE FIBRE TIPPED PENS FOR TRACELEC MODELS

PRODUCT GROUP: MT66

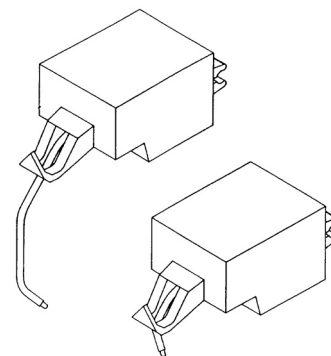
OEM PART #	ORDER REF	COLOUR	QTY/ PKG.
B73236	0065957	RED	3
B73237	0065958	BLUE	3
B73238	0065959	VIOLET	3
B73239	0065960	GREEN	3



DISPOSABLE FIBRE TIPPED PENS FOR E5200 MODELS

PRODUCT GROUP: MT99

OEM PART #	ORDER REF	COLOUR	QTY/ PKG.
B76503	0074188	RED	1
B76504	0074318	BLUE	1



FOR OTHER RECORDER MODELS OR NON-STANDARD CHARTS PLEASE ENQUIRE