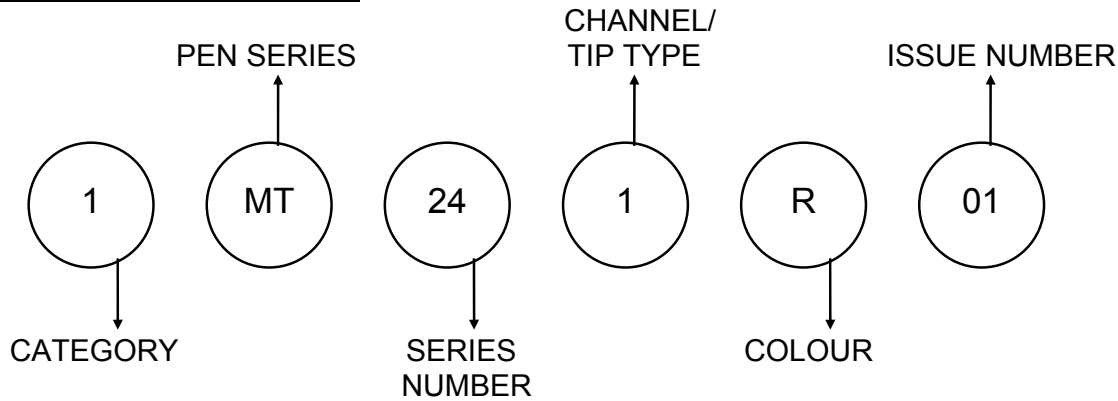




SECTION	PAGE
A BRIEF EXPLANATION OF CROWN PRODUCT CODES, PART NO'S & ISSUE NO'S.	Page i
UNIVERSAL PEN SECTION.	Page ii
UNIVERSAL GAS PEN SECTION.	Page vii
CROWN GRAPHIC PRODUCT NO'S USED ON OEM EQUIPMENT.	Page ix
CATALOGUE INDEX OF ALL OEM'S LISTED.	Page xxx



EXAMPLE PART NUMBER



LIST OF CATEGORIES

- | | |
|------------------------|--------------------------|
| 1 FTD PENS | 2 INK CARTRIDGES |
| 3 BOTTLED INKS | 4 FIBRE WRITING TIPS |
| 5 INKED FELT PADS | 6 PRINT WHEELS, SYRINGES |
| 7 MISCELLANEOUS | 8 RIBBONS |
| 9 METAL PEN ASSEMBLIES | |

CHANNEL

APPLICABLE FOR FTD PENS ONLY. GENERALLY THE HIGHER THE NUMBER THE LONGER THE NIB PROJECTION. EXCEPTIONS ARE 1MT27/36/40/41/42/43 & 44, IN THESE CASES THE RULE IS REVERSED, THE LOWER THE NUMBER THE LONGER THE PROJECTION.

TIP TYPE (USED ON PLOTTER PEN CODES, CY)

EXAMPLE PART NUMBER :- 1CY20P3N01

- | | |
|------------------------|----------------------------|
| P3 0.3MM (PLASTIC TIP) | P7 0.7MM (FIBRE TIP) |
| P5 0.5MM (FIBRE TIP) | RB ROLLERBALL (APPROX 3MM) |

STANDARD COLOURS

- | | | | | |
|-------------|------------|----------|------------|------------|
| A = MAGENTA | B = BLUE | C = CYAN | G = GREEN | M = BROWN |
| N = BLACK | O = ORANGE | R = RED | V = VIOLET | Y = YELLOW |

ISSUE NUMBER

THIS IS FOR CROWN INTERNAL USE AND DENOTES PENS WITH SPECIAL INKS OR PENS WHICH HAVE BEEN PRINTED FOR SPECIFIC CUSTOMERS AT THEIR REQUEST.



CROWN GRAPHIC

**MARKING SYSTEMS CATALOGUE
UNIVERSAL PEN SECTION**

JANUARY 2008

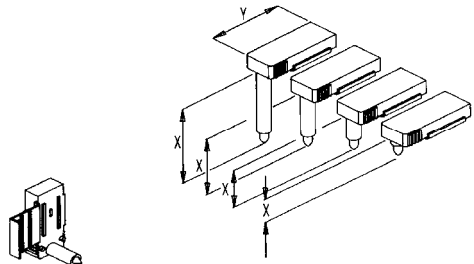
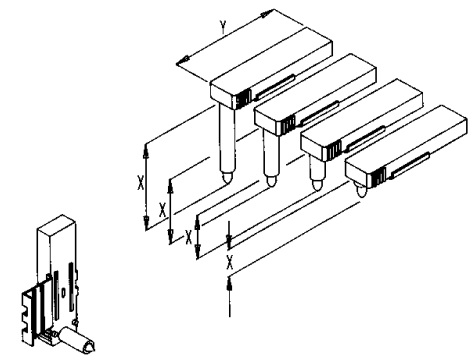
DESCRIPTION	BODY LG	X-DIM	Pk	
<p>1UD10</p> <p>THIS RANGE OF PENS IS FOR USE IN PLACE OF THE UNIVERSAL STANDARD 1UD15 PEN RANGE WHEN THE CUSTOMER REQUIRES A WIDER LINE WIDTH.</p> <p>1UD101 30mm 1UD102 30mm 1UD103 30mm 1UD104 30mm</p> <p>3.5mm 9.4mm 15.2mm 21.1mm</p> <p>6 6 6 6</p> <p>THE FOLLOWING COLOURS ARE AVAILABLE IN ALL CHANNELS, BLUE, GREEN, BLACK, RED AND VIOLET.</p>				
<p>1UD11</p> <p>THIS IS A UNIVERSAL ANGLED NIB BOSS VERSION OF OUR 1UD24 PEN SERIES.</p> <p>1UD111 25mm 1UD112 25mm 1UD113 25mm 1UD114 25mm</p> <p>3.7mm 10.2mm 16.5mm 22.9mm</p> <p>6 6 6 6</p> <p>THE FOLLOWING COLOURS ARE AVAILABLE IN ALL CHANNELS, BLUE, GREEN, BLACK, RED AND VIOLET.</p> <p>THESE PENS EQUATE TO :- G.C. SERIES 32 D/N SERIES F51720/1/2/3.</p>				



CROWN GRAPHIC

MARKING SYSTEMS CATALOGUE UNIVERSAL PEN SECTION

JANUARY 2008

DESCRIPTION	BODY LG	X-DIM	Pk	
<p>1UD14</p> <p>1UD141 1UD142 1UD143 1UD144</p> <p>THE FOLLOWING COLOURS ARE AVAILABLE IN ALL CHANNELS, BLUE, GREEN, BLACK, RED AND VIOLET.</p> <p>THESE PENS EQUATE TO :- G.C. SERIES 60 D/N SERIES F51716/7/8/9.</p>	<p>20mm 20mm 20mm 20mm</p>	<p>3.5mm 9.4mm 15.2mm 21.1mm</p>	<p>6 6 6 6</p>	
<p>1UD15</p> <p>IF WHEN USING THESE 1UD15 UNIVERSAL SERIES PENS A WIDER LINE WIDTH IS REQUIRED THEN REFER TO OUR 1UD10 UNIVERSAL SERIES PEN SECTION.</p> <p>1UD151 1UD152 1UD153 1UD154</p> <p>THE FOLLOWING COLOURS ARE AVAILABLE IN ALL CHANNELS, BLUE, GREEN, BLACK, RED AND VIOLET.</p>	<p>30mm 30mm 30mm 30mm</p>	<p>3.5mm 9.4mm 15.2mm 21.1mm</p>	<p>6 6 6 6</p>	



CROWN GRAPHIC

MARKING SYSTEMS CATALOGUE UNIVERSAL PEN SECTION

JANUARY 2008

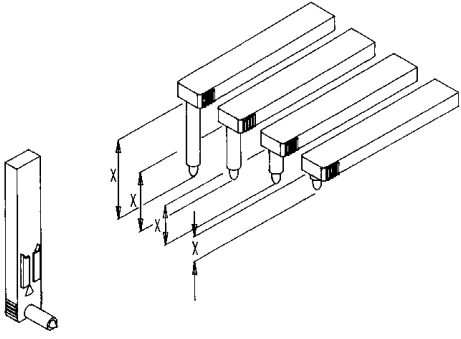
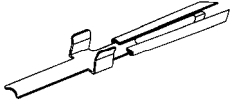
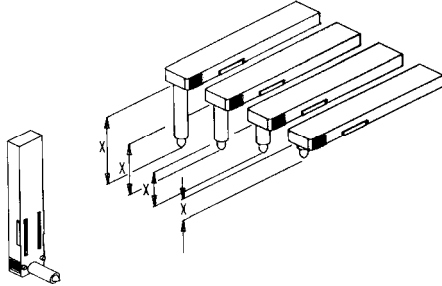
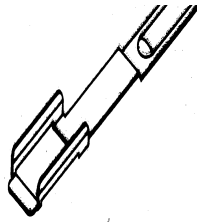
DESCRIPTION	BODY LG	X-DIM	Pk																	
<p>1UD18</p> <p>THE FOLLOWING RANGE OF PENS ARE FOR USE IN PLACE OF OUR UNIVERSAL STANDARD 1UD24 PEN RANGE WHEN CUSTOMERS REQUIRE A WIDER LINE WIDTH.</p> <table border="0"> <tr> <td>1UD181</td> <td>45mm</td> <td>3.5mm</td> <td>6</td> </tr> <tr> <td>1UD182</td> <td>45mm</td> <td>9.4mm</td> <td>6</td> </tr> <tr> <td>1UD183</td> <td>45mm</td> <td>15.2mm</td> <td>6</td> </tr> <tr> <td>1UD184</td> <td>45mm</td> <td>21.1mm</td> <td>6</td> </tr> </table> <p>THE FOLLOWING COLOURS ARE AVAILABLE IN ALL CHANNELS BLUE, GREEN, BLACK, RED AND VIOLET.</p>	1UD181	45mm	3.5mm	6	1UD182	45mm	9.4mm	6	1UD183	45mm	15.2mm	6	1UD184	45mm	21.1mm	6				
1UD181	45mm	3.5mm	6																	
1UD182	45mm	9.4mm	6																	
1UD183	45mm	15.2mm	6																	
1UD184	45mm	21.1mm	6																	
<p>1UD19</p> <p>THESE 1UD19 SERIES PENS ARE ONLY AVAILABLE AS A NO CLIP OPTION FOR THOSE CUSTOMERS WHO MAY HAVE SUCH REQUIREMENTS. IF YOU REQUIRE CLIPS PLEASE USE OUR 1UD24 PEN SERIES.</p> <table border="0"> <tr> <td>1UD191</td> <td>45mm</td> <td>3.5mm</td> <td>6</td> </tr> <tr> <td>1UD192</td> <td>45mm</td> <td>9.4mm</td> <td>6</td> </tr> <tr> <td>1UD193</td> <td>45mm</td> <td>15.2mm</td> <td>6</td> </tr> <tr> <td>1UD194</td> <td>45mm</td> <td>21.1mm</td> <td>6</td> </tr> </table> <p>THE FOLLOWING COLOURS ARE AVAILABLE IN ALL CHANNELS, BLUE, GREEN, RED AND BLACK.</p>	1UD191	45mm	3.5mm	6	1UD192	45mm	9.4mm	6	1UD193	45mm	15.2mm	6	1UD194	45mm	21.1mm	6				
1UD191	45mm	3.5mm	6																	
1UD192	45mm	9.4mm	6																	
1UD193	45mm	15.2mm	6																	
1UD194	45mm	21.1mm	6																	



CROWN GRAPHIC

MARKING SYSTEMS CATALOGUE UNIVERSAL PEN SECTION

JANUARY 2008

DESCRIPTION	BODY LG	X-DIM	Pk	
<p>1UD20</p> <p>1UD201 45mm 3.3mm 6 1UD202 45mm 9.2mm 6 1UD203 45mm 15.0mm 6 1UD204 45mm 20.75mm 6</p> <p>THE FOLLOWING COLOURS ARE AVAILABLE IN ALL CHANNELS BLUE, GREEN, BLACK, RED AND VIOLET.</p> <p>THESE PENS EQUATE TO :- G.C. SERIES 57 D/N SERIES F51270/1/2 F51300.</p>				 <p>FOR USE ON CLIP TYPE</p> 
<p>1UD23</p> <p>1UD231 45mm 3.5mm 2 1UD232 45mm 9.4mm 2 1UD233 45mm 15.2mm 2 1UD234 45mm 21.1mm 2</p> <p>THE FOLLOWING COLOURS ARE AVAILABLE IN ALL CHANNELS, BLUE, GREEN, BLACK, RED AND VIOLET.</p> <p>THESE PENS EQUATE TO:- G.C. SERIES 88 D/N SERIES F51356/7/8/9 F51672/3/4/5.</p>				 <p>FOR USE ON CLIP TYPE</p> 

GRAPHIC CONTROLS LTD, ST PETERS QUAY, TOTNES, DEVON, TQ9 5XH, UK

TEL : +44 (0)1803 860100 FAX : +44 (0)1803 863838 EMAIL : sales@crowng.com WEB : http://www.crowng.com



CROWN GRAPHIC

**MARKING SYSTEMS CATALOGUE
UNIVERSAL PEN SECTION**

JANUARY 2008

DESCRIPTION	BODY LG	X-DIM	Pk	
<p>1UD24</p> <p>IF WHEN USING THESE 1UD24 UNIVERSAL SERIES PENS A WIDER LINE WIDTH IS REQUIRED THEN REFER TO OUR 1UD18 UNIVERSAL SERIES PEN SECTION.</p> <p>1UD241 45mm 3.5mm 6 1UD242 45mm 9.4mm 6 1UD243 45mm 15.2mm 6 1UD244 45mm 21.1mm 6</p> <p>THE FOLLOWING COLOURS ARE AVAILABLE IN ALL CHANNELS, BLUE, GREEN, BLACK, RED AND VIOLET.</p> <p>THESE PENS EQUATE TO :- G.C. SERIES 39 D/N SERIES F51712/3/4/5.</p>				<p>FOR USE ON HOLDER TYPE</p>
<p>1UD30</p> <p>1UD301 32mm 7.7mm 6 1UD302 32mm 14.8mm 6 1UD303 32mm 21.9mm 6</p> <p>THE FOLLOWING COLOURS ARE AVAILABLE IN ALL CHANNELS, BLUE, GREEN, BLACK AND RED.</p> <p>THESE PENS EQUATE TO :- SANFORD RP1-74102, RP2-74203, RP3-74301.</p>				



CROWN GRAPHIC

UNIVERSAL GAS MEASUREMENT CIRCLE CHART RECORDER PENS.

JANUARY 2008

FINE LINE INTEGRATOR PENS	DESCRIPTION																
<p>ARRAY A (BARTON, ROCKWELL 3-PEN RECORDERS)</p>																	
	<table border="1"> <tr> <td>1UD24800G01</td> <td>- GREEN/HI</td> </tr> <tr> <td>1UD24800LTG01</td> <td>- GREEN/LO</td> </tr> <tr> <td>1UD24537R01</td> <td>- RED/HI</td> </tr> <tr> <td>1UD24537LTR01</td> <td>- RED/LO</td> </tr> <tr> <td>1UD16213N01</td> <td>- BLACK/HI</td> </tr> <tr> <td>1UD16213LTN01</td> <td>- BLACK/LO</td> </tr> <tr> <td>1UD16213B01</td> <td>- BLUE/HI</td> </tr> <tr> <td>1UD16213LTB01</td> <td>- BLUE/LO</td> </tr> </table>	1UD24800G01	- GREEN/HI	1UD24800LTG01	- GREEN/LO	1UD24537R01	- RED/HI	1UD24537LTR01	- RED/LO	1UD16213N01	- BLACK/HI	1UD16213LTN01	- BLACK/LO	1UD16213B01	- BLUE/HI	1UD16213LTB01	- BLUE/LO
1UD24800G01	- GREEN/HI																
1UD24800LTG01	- GREEN/LO																
1UD24537R01	- RED/HI																
1UD24537LTR01	- RED/LO																
1UD16213N01	- BLACK/HI																
1UD16213LTN01	- BLACK/LO																
1UD16213B01	- BLUE/HI																
1UD16213LTB01	- BLUE/LO																

<p>ARRAY B (AMERICAN METER, FOXBORO, MERCURY 3-PEN RECORDERS)</p>																	
	<table border="1"> <tr> <td>1UD24800R01</td> <td>- RED/HI</td> </tr> <tr> <td>1UD24800LTR01</td> <td>- RED/LO</td> </tr> <tr> <td>1UD16505N01</td> <td>- BLACK/HI</td> </tr> <tr> <td>1UD16505LTN01</td> <td>- BLACK/LO</td> </tr> <tr> <td>1UD16505B01</td> <td>- BLUE/HI</td> </tr> <tr> <td>1UD16505LTB01</td> <td>- BLUE/LO</td> </tr> <tr> <td>1UD16213G01</td> <td>- GREEN/HI</td> </tr> <tr> <td>1UD16213LTG01</td> <td>- GREEN/LO</td> </tr> </table>	1UD24800R01	- RED/HI	1UD24800LTR01	- RED/LO	1UD16505N01	- BLACK/HI	1UD16505LTN01	- BLACK/LO	1UD16505B01	- BLUE/HI	1UD16505LTB01	- BLUE/LO	1UD16213G01	- GREEN/HI	1UD16213LTG01	- GREEN/LO
1UD24800R01	- RED/HI																
1UD24800LTR01	- RED/LO																
1UD16505N01	- BLACK/HI																
1UD16505LTN01	- BLACK/LO																
1UD16505B01	- BLUE/HI																
1UD16505LTB01	- BLUE/LO																
1UD16213G01	- GREEN/HI																
1UD16213LTG01	- GREEN/LO																



CROWN GRAPHIC

UNIVERSAL GAS MEASUREMENT CIRCLE CHART RECORDER PENS.

JANUARY 2008

BOLD TRACE SCANNABLE PENS	DESCRIPTION
ARRAY A (BARTON, ROCKWELL 3-PEN RECORDERS)	
	1UD18800NSG01 - NONSCAN GREEN/HI 1UD18800LTNGG01 - NONSCAN GREEN/LO
	1UD18800G01 - SCAN GREEN/HI 1UD18800LTG01 - SCAN GREEN/LO
	1UD18537R01 - SCAN RED/HI 1UD18537LTR01 - SCAN RED/LO
	1UD17213N01 - SCAN BLACK/HI 1UD17213LTN01 - SCAN BLACK/LO
	1UD17213B01 - SCAN BLUE/HI 1UD17213LTB01 - SCAN BLUE/LO

BOLD TRACE SCANNABLE PENS	DESCRIPTION
ARRAY B (AMERICAN METER, FOXBORO, MERCURY 3-PEN RECORDERS)	
	1UD18800R01 - SCAN RED/HI 1UD18800LTR01 - SCAN RED/LO
	1UD17505N01 - SCAN BLACK/HI 1UD17505LTN01 - SCAN BLACK/LO
	1UD17505B01 - SCAN BLUE/HI 1UD17505LTB01 - SCAN BLUE/LO
	1UD17213G01 - SCAN GREEN/HI 1UD17213LTG01 - SCAN GREEN/LO
	1UD17213NSG01 - NONSCAN BLUE/HI 1UD17213LTNSG01 - NONSCAN BLUE/LO



CROWN GRAPHIC PRODUCT NUMBERS USED ON OEM EQUIPMENT

JANUARY 2008

1CY1	ARISTO, BENSON, BRUKER PHYSIK, BRYANS INSTRUMENTS, CHAUVIN ARNOUX, ELKAY, GOERZ, IBM, LAUMONIER, METROHM, P.K. MORGAN, PERKIN ELMER, PHILIPS, RADIOMETER, SAITRON, SCAN, SHIMADZU, ULTRAKUST, VARIAN, VITARON, WANG, W & W ELECTRONIK, ZEISS, ZWICK.
1CY102	FARNELL, PHILIPS, RIKADENKI.
1CY103	RIKADENKI, SEFRAM, SEREG.
1CY2	BECKMAN.
1CY4	BRYANS INSTRUMENTS, CECIL, ENTER COMPUTER, GILSON, GOERZ, HILGER ANALYTICAL, JOYCE-LOBEL, LLOYD INSTRUMENTS, MARKSON, NEUTRIX, OXFORD INSTRUMENTS, PALMER BIOSCIENCE, SMITHS INDUSTRIES, TEKMAN.
1CY5	ALLEN DATAGRAPH, BRYANS INSTRUMENTS, FISHER CONTROLS, GALLENKAMP, GOULD BRUSH/MEDICAL, GRASON STADLER, HOUSTON, MONSANTO, PRINCETON APPLIED RESEARCH.
1CY51	BECKMAN, ELKAY, FISHER SCIENTIFIC, GRAPHTEC, SEREG, VITARON, WANG.
1CY6	GOERZ, SMITHS INDUSTRIES, W & W ELECTRONIK.
1CY7	HAENNI, HARTMANN & BRAUN, INSTRON, LAMBRECT, MAXANT, NORMA, SEREG, SIEMENS.
1CY8	BENDER & HOLBEIN, ELMES STAUB, HIRSCHMANN, LODE.
1CY9	PERKIN ELMER.
1CY10	BRUEL & KJAER, CALCOMP, COMMODORE, FISHER SCIENTIFIC, GOERZ, HOUSTON, IBM, KIPP & ZONEN, NIXDORF, OMEGA ENGINEERING, PHILIPS, ROHDE & SCHWARZ, SIEMENS, SOLTEC, TANDY, TEXAS INSTRUMENTS.
1CY11	SIEMENS.
1CY12	BENDER & HOLBEIN, SIEMENS.
1CY13	INSTRUMENT SPECIALITIES, SOLTEC.
1CY14	BRYANS INSTRUMENTS, HEWLETT PACKARD, JAEGER, LINEAR GRAPHICS, LINSEIS, PRINCETON APPLIED RESEARCH, SCIENTIFIC ATLANTA, SOLTEC, TEKTRONIX, WANG, ZEISS, ZWICK.
1CY15	GOERZ, JAEGER, PHILIPS, SHIMADZU, SMITHS INDUSTRIES.
1CY16	BRYANS INSTRUMENTS, GOERZ, GRAPHTEC, ZEISS.
1CY17	BRYANS INSTRUMENTS.
1CY18	LLOYD INSTRUMENTS, MARKSON.
1CY19 1CY20	HEWLETT PACKARD, LLOYD INSTRUMENTS, OMEGA ENGINEERING, BRUNING, BRYANS INSTRUMENTS, COLE PALMER, DIGITAL, DU PONT, ENTER COMPUTER, GRAPHMATE, HEWLETT PACKARD, HOUSTON, IBM, IOLINE CORPORATION, LINEAR GRAPHICS, LINSEIS, MAX, MAXANT, R.W.MUNRO, NATIONAL MATSUSHITA, NBN ELECTRONICS, NEOLT, PENMAN, PICOM, RIKADENKI, ROLAND, SEKONIC, SIEMENS, TEXAS INSTRUMENTS, YOKOGAWA..



CROWN GRAPHIC PRODUCT NUMBERS USED ON OEM EQUIPMENT

JANUARY 2008

1CY22	BRYANS INSTRUMENTS, FACIT.
1CY23	GRAPHTEC.
1CY24	BRUNING.
1CY25	BRUNING.
1CY26	TEKTRONIX.
1CY28	GRAPHTEC, T.D.S. NUMONICS.
1FD3	COLE PALMER, KIPP & ZONEN, OMEGA ENGINEERING.
1FD04	ESTERLINE ANGUS.
1FD06	KIPP & ZONEN.
1FD07	PHILIPS, SIEMENS.
1FD14	COLE PALMER, OMEGA ENGINEERING, YOKOGAWA..
1FD16	BAILEY.
1FD17	FOXBORO.
1FD18	GRAPHTEC.
1FD19	OMEGA ENGINEERING, YOKOGAWA.
1FD20	GOERZ, SMITHS INDUSTRIES, VAN ESSEN, ZEISS.
1FD21	BIOTRONIK, BRYANS INSTRUMENTS, CHAUVIN ARNOUX, HARTMANN & BRAUN, HILGER ANALYTICAL, HOUSTON, IFELEC, INSTRON, MOUNT SOPRIS, PERKIN ELMER, PHILIPS, SARTORIUS, SCHOTT GERATE, SOLTEC, W & W ELECTRONIK.
1FD22	JUCHEIM, SEREG.
1FD23	PHILIPS.
1FD24	PHILIPS.
1FD25	KIPP & ZONEN, PHILIPS, RADIOMETER.
1FD26	PHILIPS, RADIOMETER.
1FD27	BECKMAN, BIOTRONIK, BRYANS INSTRUMENTS, W & W ELECTRONIK.
1FD29	ALLEN DATAGRAPH, ALLTECH ASSOCIATES, BAILEY, BECKMAN, BIF SANITROL, BRABENDER, BROWNE, BRYANS INSTRUMENTS, CHAUVIN ARNOUX, CHINO, COLE PALMER, CORNING GLASS, CURKEN SCIENTIFIC, DERMATHERM, ELKAY, ESTERLINE ANGUS, FISHER CONTROLS, FISHER SCIENTIFIC, GENERAL ELECTRIC, GOULD BRUSH/MEDICAL, GRAPHTEC, GULTON, HAAKE, HC ELECTRONICS, HEATH CONSULTANTS, HONEYWELL, HOUSTON, INSTRUMENT SPECIALITIES, JUCHEIM, LCD LATEK, LEEDS & NORTHRUP, LEOPOLD SYBRON, LINEAR, MARKSON, METROSONICS, M.F.E., MOLYTEK, MOUNT SOPRIS, NARCO BIOSYSTEMS, N.B.N. ELECTRONICS, OMEGA ENGINEERING, OXIMETRICS, PANTOS, PERKIN ELMER, QUALIMETRICS, RIKADENKI, SCIENTIFIC ATLANTA,



CROWN GRAPHIC PRODUCT NUMBERS USED ON OEM EQUIPMENT

JANUARY 2008

SCINTAG, SEKONIC, SEREG, SOLTEC, TEXAS INSTRUMENTS, UNITED ELECTRIC,
VARIAN, V.D.O., WELL RECONNAISSANCE, WESTRONICS, YAMATAKE-HONEYWELL.

1FD30	LEEDS & NORTHRUP.
1FD31	LEEDS & NORTHRUP.
1FD32	LEEDS & NORTHRUP.
1FD33	GOERZ, OMEGA ENGINEERING.
1FD34	ABB KENT-TAYLOR, LEEDS & NORTHRUP, OMEGA ENGINEERING.
1FD35	HONEYWELL.
1FD36	SIEMENS, SOLTEC, W & W ELECTRONIK.
1FD50	JUCHEIM, SENSYCON, V.D.O.
1MT01	RIKANDENKI, SOLTEC.
1MT02	GRAPHTEC.
1MT03	LINSEIS.
1MT04	LINSEIS, COLE PALMER, NOVOCONTROL.
1MT05	LINSEIS.
1MT06	BRYANS INSTRUMENTS.
1MT07	BRYANS INSTRUMENTS.
1MT08	BIO-RAD, BIOTRONIK, COLE PALMER, FISHER SCIENTIFIC, GOERZ, JUCHEIM, Dr KNAUER, MONSANTO, NORMA, OMEGA ENGINEERING, PHILIPS, SIEMENS, SMITHS INDUSTRIES, SOLTEC, TECHNICON, ULTRAKUST, VALMET, YOKOGAWA, ZEISS.
1MT09	GIROUX-MESURES, I.P. & T., LEEDS & NORTHRUP.
1MT13	ABB KENT-TAYLOR, BARBER & COLMAN, COLE PALMER.
1MT14	ABB KENT-TAYLOR.
1MT15	RECORD ELECTRICAL.
1MT16	RECORD ELECTRICAL.
1MT17	RECORD ELECTRICAL.
1MT19	ABB KENT-TAYLOR.
1MT20	ECKARDT.
1MT21	GOERZ, SMITHS INDUSTRIES.
1MT22	LLOYD INSTRUMENTS.
1MT23	COMARK, GOERZ, LAUMANN, SOLTEC, TECKMAN, THERM.

1MT24	ARKON, CHESSELL, FISCHER & PORTER, KIPP & ZONEN, NEUBERGER.
1MT25	GOERZ, NORMA.
1MT26	BAILEY.
1MT27	CHESSELL, COLE PALMER, GILSON, HONEYWELL, KIPP & ZONEN, MARKSON, OMEGA ENGINEERING.
1MT29	LAUMONIER, C.G.S., SEREG.
1MT30	SEREG.
1MT31	SEREG.
1MT32	FISHER CONTROLS, SEREG.
1MT33	SIEMENS.
1MT34	HONEYWELL.
1MT35	SIEMENS.
1MT36	ABB KENT-TAYLOR.
1MT37	FOXBORO.
1MT38	FOXBORO, YOKOGAWA.
1MT39	SIEMENS.
1MT40	ABB KENT-TAYLOR, BAILEY, BIF.
1MT41	ABB KENT-TAYLOR.
1MT42	ABB KENT-TAYLOR.
1MT43	ABB KENT-TAYLOR.
1MT44	COLE PALMER, OMEGA ENGINEERING, PHILIPS, YOKOGAWA.
1MT45	GIROUX-MESURES, JUCHEIM, KAMSTRUP.
1MT46	GOSSSEN, JAQUET, NORMA, PHILIPS, SIEMENS, SOLTEC.
1MT47	JUCHEIM, NEUBERGER, SENSYCON, V.D.O.
1MT48	ABB KENT-TAYLOR.
1MT50	CHAUVIN ARNOUX, JAQUET, PHILIPS.
1MT51	WESTINGHOUSE.
1MT53	SEREG.
1MT54	ANPICO.
1MT55	FISHER CONTROLS.



CROWN GRAPHIC PRODUCT NUMBERS USED ON OEM EQUIPMENT

JANUARY 2008

1MT58	FISCHER & PORTER, FISHER CONTROLS.
1MT59	ABB KENT-TAYLOR.
1MT63	CHESSELL.
1MT65	VALMET.
1MT66	ABB KENT-TAYLOR, CHAUVIN ARNOUX.
1MT68	LLOYD INSTRUMENTS, MARKSON, OMEGA ENGINEERING.
1MT69	MECILEC.
1MT70	CAMILLE BAUER.
1MT71	RIKADENKI, SOLTEC.
1MT72	AMREIN.
1MT77	HARTMANN & BRAUN.
1MT80	HEWLETT PACKARD.
1MT82	COLE PALMER, LINSEIS.
1MT85	ENDRESS & HAUSER, TEXAS INSTRUMENTS, TOSHIBA, WESTRONICS.
1MT87	QUALIMETRICS, TOA.
1MT89	HARTMANN & BRAUN.
1MT91	CHESSELL, COLE PALMER, FISCHER & PORTER, FISHER CONTROLS, FOXBORO, LEEDS & NORTHRUP.
1MT94	ABB KENT-TAYLOR.
1MT95	CHINO, FOXBORO, LEEDS & NORTHRUP.
1MT98	PHILIPS, YOKOGAWA.
1MT99	MECILEC, WESTRONICS.
1MX01	WESTRONICS.
1MX02	BAILEY.
1MX03	HONEYWELL.
1MX04	BAILEY, WESTINGHOUSE.
1MX05	AMERICAN METER, BARTON, REYNOLDS EQUIPMENT CO.
1MX06	REYNOLDS EQUIPMENT CO.
1MX08	ESTERLINE ANGUS.
1MX09	FOXBORO.
1MX10	MCC.



CROWN GRAPHIC PRODUCT NUMBERS USED ON OEM EQUIPMENT

JANUARY 2008

1MX11	ENDRESS & HAUSER.
1MX12	PENNY & GILES.
1MX14	WESTRONICS.
1MX15	HONEYWELL, WEST.
1MX16	CHESELL
1MX17	CHESELL
1MX18	ABB KENT-TAYLOR.
1MX19	METRO.
1MX20	ENDRESS & HAUSER
1MX21	GOSSSEN, METRAWATT, CAMILLE BAUER, HARTMANN & BRAUN, NEUBERGER.
1MX22	WESTRONICS
1MX23	WESTRONICS
1MX24	GOSSSEN, METRAWATT, CAMILLE BAUER, HARTMANN & BRAUN.
1MX27	CAMILLE BAUER
1MX28	MOORE PRODUCTS.
1PB3	ALLTECH ASSOCIATES, BECKMAN, BIO OPTRONICS, CARLO ERBA, CLIFFORD INSTRUMENTS, COLE PALMER, ESTERLINE ANGUS, GENERAL RADIO, GILSON, GOULD, GRASON STADLER, INSTRUMENT SPECIALITIES, JAEGER, FWH JOENS GERATE, LDC LATEK, LEEDS & NORTHRUP, LINEAR, MARKSON, MOLYTEK, NBN, OMEGA ENGINEERING, ORTEC, PERKIN ELMER, SOLTEC, SPARLING ENVIROTECH, TELEDYNE, TINIUS OLSEN, ULTRAKUST, VARIAN, WESTRONICS.
1PB4	BAILEY, BURGER, ELVI, MAXANT, SCHLEGEL.
1PB5	GRAPHTEC, PEELFORCE.
1PB7	ARKON, BRABENDER, ECKARDT, HAENNI, Dr HENSCHEN, HONEYWELL, Dr HORN, MAIHAK, MANGELS, GEBR PFORTNER, SAUTER, SCHLEGEL, SENSYCON, VAN ESSEN, VDO.
1PB8	BURGER.
1PB20	ABB KENT-TAYLOR.
1PB21	LEEDS & NORTHRUP, PERKIN ELMER.
1SD4	AMNICO, BENDER & HOLBEIN, BRYANS INSTRUMENTS, CARLO ERBA, ELKAY, HAENNI, HOUSTON, MONSANTO, R.W. MUNRO, OXFORD INSTRUMENTS, RHEOMAT, TRITSCHLER.
1SD5	HAENNI, GEBR PFORTNER, SCHAFFER & BUDENBERG, SCHLEGEL, SENSYCON, VDO.

1SD6	KETTERER, LAMBRECHT.
1SD7	BENDIX, CASSELLA, COLE PALMER, EVERSLED & VIGNOLES, Dr FRIEDRICHS, HAENNI, JS HOLDINGS, ISUZI, MARKSON, MAXANT, Dr MULLER, NAOKI SPOHRER, OBSERVATOR, PARTLOW, RICHARD & PEKLY, GEBR PFORTNER, QUALIMETRICS, RATONA, SALMOIRGHI, SENSYCON, TEMPKEY, THIES, VDO.
1SD8	MESSTECHNIK REINHARDT, THIES.
1SD9	BRITISH ROTOTHERM, CASSELLA, GERATETYP, RICHARD & PEKLY.
1SD10	BERRUET
1SD11	Dr MULLER, OTA, QUALIMETRICS, WEATHERMEASURE.
1SD12	Dr FREIDREICH.
1SD13	WEATHERMEASURE.
1SD20	HILGER ANALYTICAL, VITARON.
1SD21	HONEYWELL, PHILIPS, SIEMENS.
1SD22	HONEYWELL, RADIOMETER.
1SD23	BELFORT.
1SD24	ELKAY, PHILIPS.
1SD27	AMREIN.
1SD30	BRISTOL, CGS, COLE PALMER, ELKAY, FISHER CONTROLS, FISHER SCIENTIFIC, MECILEC, TECHNICON,
1SD31	BRISTOL, COLE PALMER, ELKAY, FISHER CONTROLS, FISHER SCIENTIFIC, HARTMANN & BRAUN, TECHNICON.
1SD32	BARBY & KUHNER, ECKARDT, Dr HENSCHEN, PHILIPS SENSYCON, VDO.
1SD33	LEEDS & NORTHRUP, MECILEC.
1SD34	AMP, BRUEL & KJAER.
1SD37	HOUSTON.
1UD11	PARTLOW.
1UD12	OMEGA, WHITE BOX.
1UD13	DICKSON, OMEGA, PARTLOW, UNITED ELECTRIC, WEST.
1UD16	AMERICAN METER, BARTON, FOXBORO, MERCURY, ROCKWELL.
1UD17	AMERICAN METER, BARTON, FOXBORO, MERCURY, ROCKWELL.
1UD18	AMERICAN METER, BARTON, FOXBORO, MERCURY, ROCKWELL.
1UD19	ABB KENT-TAYLOR.



CROWN GRAPHIC PRODUCT NUMBERS USED ON OEM EQUIPMENT

JANUARY 2008

1UD20	ABB KENT-TAYLOR, BAILEY, CHAUVIN ARNOUX, COMEUREG, DEVAR, FAREG, FOURNIER-EUVARD, HAENNI, HONEYWELL, MASONEILAN, MECILEC, SEREG.
1UD21	BRISTOL, COLE PALMER, DEVAR, DICKSON, DRAYTON, MARKSON, OMEGA, ROBERTSHAW.
1UD22	BARTON, ROBERSHAW.
1UD23	BAILEY, BRISTOL, CHESSELL, COLE PALMER, FISCHER & PORTER, HAYS REPUBLIC, LEEDS & NORTHRUP, OMEGA, POWERS.
1UD24	ABB KENT-TAYLOR, AMERICAN METER, ARKON, BAILEY, BIF (BASIC IN FLOW), BRAINARD, BRISTOL, BRITISH ROTOTHERM, CLEVELAND, COLE PALMER, DURO, EDGCUMBE PEBBLES, FIELDEN INSTRUMENTS, FISCHER & PORTER, FOXBORO, HAYS REPUBLIC, HONEYWELL, MARKSON, MERCURY, R.W. MUNRO, ROBERTSHAW, ROCKWELL, UNITED ELECTRIC, WEKSLER, WESTINGHOUSE, ZEAL.
1UD28	ALEXANDER WRIGHT.
1UD30	MERCURY.
1UD40	FOXBORO.
1UD44	FOXBORO.
1UD73	BRITISH ROTOTHERM.
2N100	ABB KENT-TAYLOR, BARBY & KUHNER, ECKARDT, HAENNI, HARTMANN & BRAUN, Dr HENSCHEN, Dr HORN.
2N200	ADOS, ECKARDT, LEEDS & NORTHRUP.
2N300	ADOS, CHAUVIN ARNOUX, FOXBORO, HAYS REPUBLIC, HEWLETT PACKARD, HONEYWELL, JUCHEIM, LEEDS & NORTHRUP, LEOPOLD SYBRON, MASONEILAN, MECHTRON, MOORE OREGON, MOORE PRODUCTS, VDO, WESTINGHOUSE.
2N375	AVERY, FIELDEN, TEKMAN.
2N500	ABB KENT-TAYLOR, ALEXANDER WRIGHT, ANASPEC, BOYLE INDUSTRIAL GAUGING, BRITISH ROTOTHERM, CHESSELL, FISCHER & PORTER, FISHER CONTROLS, HONEYWELL, SEREG.
2N750	RECORD ELECTRICAL.
2N750RWKIT	RECORD ELECTRICAL.
2PGN375	PENNY & GILES.
2R102	ABB KENT-TAYLOR, SHIMADZU.
2R103	ABB KENT-TAYLOR.
2R202	ABB KENT-TAYLOR.
2R310	BRISTOL, MOORE PRODUCTS.
2R360	SEFRAM.



CROWN GRAPHIC PRODUCT NUMBERS USED ON OEM EQUIPMENT

JANUARY 2008

2R402	HONEYWELL, YAMATAKE-HONEYWELL.
2R500	FISCHER & PORTER.
2R850	FOXBORO, GOERZ.
2R852	FOXBORO.
2S101	BRYANS INSTRUMENTS.
2S201	SEREG.
2S211	FISCHER & PORTER, MOORE PRODUCTS.
2S301	ABB KENT-TAYLOR, BOYLE INDUSTRIAL GAUGING.
2S311	ABB KENT-TAYLOR.
2S401	ABB KENT-TAYLOR, SEREG
2S411	ABB KENT-TAYLOR, BECKMAN, FISCHER & PORTER, HONEYWELL, MOORE PRODUCTS, PIGNONE.
2S501	HONEYWELL, TECHNICON.
2S502	EDGE CUMBE PEBBLES.
2S601	CHAUVIN ARNOUX, CHESSELL, JAQUET.
2SN375	SMITHS INDUSTRIES.
2ZB01	GOERZ, SMITHS INDUSTRIES.
2ZB02	FISCHER & PORTER.
2ZB03	HARTMANN & BRAUN, PHILIPS.
4B216035	ABB KENT-TAYLOR.
4B221046	RECORD ELECTRICAL.
4B223046	BABCOCK BRISTOL.
4G227246	MOORE PRODUCTS.
4H10019735	HONEYWELL.
4K227048D	ABB KENT-TAYLOR, JUCHEIM, SEREG, SMITHS INDUSTRIES, VDO.
4LN231246	LEEDS & NORTHRUP.
4N29	BOYLE INDUSTRIAL GAUGING.
4N225046NZ	BRITISH ROTOTHERM.
4N38	ALEXANDER WRIGHT, CHESSELL, DRAYTON DRAYTON, FISCHER & PORTER, FLOWSHEET PANELS, LEEDS & NORTHRUP, PENNY & GILES, TEKMAN.
4N46	R.W. MUNRO.



CROWN GRAPHIC

**CROWN GRAPHIC PRODUCT
NUMBERS USED ON OEM EQUIPMENT**

JANUARY 2008

6PH01	CHESELL
6PH02	ABB KENT, JUCHIEM (JUMO)
6PH03	ABB KENT
6PH04	CHESELL
6PW01	ABB KENT-TAYLOR, CHESELL, COLE PALMER, FISHER CONTROLS, LEEDS & NORTHRUP.
6PW02	ABB KENT-TAYLOR.
6PW03	ABB KENT-TAYLOR.
6PW05	FWH JOENS GERATE, JUCHEIM, KAMSTRUP, MORS, NEUBERGER.
6PW06	FWH JOENS GERATE, JUCHEIM, KAMSTRUP, MORS, NEUBERGER.
6PW07	FWH JOENS GERATE, JUCHEIM, KAMSTRUP, MORS, NEUBERGER.
6PW08	FWH JOENS GERATE, JUCHEIM, KAMSTRUP, MORS, NEUBERGER.
6PW14 6PW25	HONEYWELL, WEST. ENDRESS & HAUSER.
7CSW80	CHESELL.
7RB	ABB KENT-TAYLOR, ALEXANDER WRIGHT, BABCOCK BRISTOL, BRITISH ROTOTHERM, CHESELL, FIELDEN INSTRUMENTS, FISHER PANELS, PENNY & GILES, SEREG.
8RIBBON01	YOKOGAWA.
8RIBBON02	OMEGA ENGINEERING, YOKOGAWA.
8RIBBON03	YOKOGAWA.
8RIBBON04	YOKOGAWA, PHILIPS.
9A007	FOXBORO.
9A008	FOXBORO.
9A009	FOXBORO.
9A010	SEFRAM.
9A014	FOXBORO.
9A016	ABB KENT-TAYLOR, BRITISH ROTOTHERM.
9A017	ABB KENT-TAYLOR, BRITISH ROTOTHERM.
9A018	ABB KENT-TAYLOR, BRITISH ROTOTHERM.
9A01802	BRITISH ROTOTHERM.
9ADV07	MONSANTO.



CROWN GRAPHIC PRODUCT NUMBERS USED ON OEM EQUIPMENT

JANUARY 2008

9ADV10	MONSANTO.
9AV01	AVERY.
9BR01	BARTON, BRISTOL, FISHER CONTROLS.
9BR02	BARTON, BRISTOL, FISHER CONTROLS.
9BR03	BARTON, BRISTOL, FISHER CONTROLS.
9BR04	BARTON, BRISTOL.
9BR05	BABCOCK BRISTOL..
9BR06	BABCOCK BRISTOL..
9BR07	BABCOCK BRISTOL..
9BR08	BRISTOL.
9BR09	BRISTOL.
9BR10	BRISTOL.
9BR11	BRISTOL.
9BR12	BRISTOL.
9BR13	BRISTOL..
9BR14	BRISTOL.
9BR15	BRISTOL.
9BR16	BRISTOL.
9BR17	BRISTOL.
9DR01	DRAYTON CONTROLS.
9DR02	DRAYTON CONTROLS.
9DR03	DRAYTON CONTROLS.
9DR04	DRAYTON CONTROLS.
9DR05	DRAYTON CONTROLS.
9DR06	DRAYTON CONTROLS.
9DR07	DRAYTON CONTROLS.
9DR08	DRAYTON CONTROLS.
9DR09	DRAYTON CONTROLS.
9DR10	DRAYTON CONTROLS.
9EV01	EDGE CUMBE PEBBLES, EVERSHED & VIGNOLES, FISHER CONTROLS.



CROWN GRAPHIC PRODUCT NUMBERS USED ON OEM EQUIPMENT

JANUARY 2008

9EV02	EDGE CUMBE PEEBLES, EVERSHED & VIGNOLES, FISHER CONTROLS.
9EV03	EVERSHED & VIGNOLES.
9EV04	EVERSHED & VIGNOLES.
9FE01	FIELDEN INSTRUMENTS.
9FP01	FLowsHEET PANELS.
9FP02	FLowsHEET PANELS.
9FP03	FLowsHEET PANELS.
9FP04	FLowsHEET PANELS.
9FP05	FLowsHEET PANELS.
9FP06	FLowsHEET PANELS.
9FR01	FISHER CONTROLS.
9FR02	FISHER CONTROLS.
9FR03	FISHER CONTROLS.
9FR04	FISHER CONTROLS.
9FR05	FISHER CONTROLS.
9FR06	FISHER CONTROLS.
9FR07	FISHER CONTROLS.
9FR08	FISHER CONTROLS.
9FR09	FISHER CONTROLS.
9FR10	FISHER CONTROLS.
9FR11	FISHER CONTROLS.
9FR12	FISHER CONTROLS.
9FR13	FISHER CONTROLS.
9FR14	FISHER CONTROLS.
9FR15	FISHER CONTROLS.
9FR16	FISHER CONTROLS.
9FR17	FISHER CONTROLS.
9FR18	FISHER CONTROLS.
9FR19	FISHER CONTROLS.
9FR20	FISHER CONTROLS.



CROWN GRAPHIC

**CROWN GRAPHIC PRODUCT
NUMBERS USED ON OEM EQUIPMENT**

JANUARY 2008

9FR21	FISHER CONTROLS.
9FR22	FISHER CONTROLS.
9FR26	FISHER CONTROLS.
9FR27	FISHER CONTROLS.
9FR28	FISHER CONTROLS.
9FR29	FISHER CONTROLS.
9FR30	FISHER CONTROLS.
9FR31	FISHER CONTROLS.
9FR32	FISHER CONTROLS.
9FR33	FISHER CONTROLS.
9FR34	FISHER CONTROLS.
9FR35	FISHER CONTROLS.
9GB01	BRYANS INSTRUMENTS.
9GB02	BRYANS INSTRUMENTS.
9GB03	BRYANS INSTRUMENTS.
9GB04	BRYANS INSTRUMENTS.
9GR01	GOERZ, SMITHS INDUSTRIES.
9GR02	GOERZ, SMITHS INDUSTRIES.
9GR03	GOERZ, SMITHS INDUSTRIES.
9H004	HONEYWELL.
9K141	ABB KENT-TAYLOR.
9K142	ABB KENT-TAYLOR.
9K143	ABB KENT-TAYLOR.
9K20	ABB KENT-TAYLOR.
9K21	GOERZ, SMITHS INDUSTRIES.
9K220	LLOYD INSTRUMENTS.
9K23	CHESELL
9K241	CHESELL, FISCHER & PORTER.
9K242	CHESELL, FISCHER & PORTER.
9K243	CHESELL, FISCHER & PORTER.



CROWN GRAPHIC

**CROWN GRAPHIC PRODUCT
NUMBERS USED ON OEM EQUIPMENT**

JANUARY 2008

9K321	FISHER CONTROLS.
9K322	FISHER CONTROLS.
9K323	FISHER CONTROLS.
9K324	FISHER CONTROLS.
9K37A	FOXBORO.
9K37S	FOXBORO.
9K38A	FOXBORO, YOKOGAWA.
9K38S	FOXBORO.
9K48A	ABB KENT-TAYLOR.
9K48AS	ABB KENT-TAYLOR.
9K500P1068	ABB KENT-TAYLOR.
9K51	WESTINGHOUSE.
9K54P1201	ABB KENT-TAYLOR.
9K54P1202	ABB KENT-TAYLOR.
9K54P1203	ABB KENT-TAYLOR.
9K54P1204	ABB KENT-TAYLOR.
9K570	ABB KENT-TAYLOR.
9K570/1	ABB KENT-TAYLOR.
9K571	ABB KENT-TAYLOR.
9K572	ABB KENT-TAYLOR.
9K59	ABB KENT-TAYLOR.
9K734	BRITISH ROTOTHERM.
9K735	BRITISH ROTOTHERM.
9K736	BRITISH ROTOTHERM.
9K737	BRITISH ROTOTHERM.
9K94	ABB KENT-TAYLOR.
9KIM1060	ABB KENT-TAYLOR.
9KIM1062	ABB KENT-TAYLOR.
9KIM1386	ABB KENT-TAYLOR.
9KIM1387	ABB KENT-TAYLOR.



CROWN GRAPHIC

**CROWN GRAPHIC PRODUCT
NUMBERS USED ON OEM EQUIPMENT**

JANUARY 2008

9KP01	ABB KENT-TAYLOR.
9KP02	ABB KENT-TAYLOR.
9KP03	ABB KENT-TAYLOR.
9KP04	ABB KENT-TAYLOR.
9KPB21	LEEDS & NORTHRUP, PERKIN ELMER.
9KUD191	BRITISH ROTOTHERM.
9KUD192	BRITISH ROTOTHERM.
9KUD193	BRITISH ROTOTHERM.
9KUD194	BRITISH ROTOTHERM.
9KUD195	HONEYWELL..
9KUD196	HONEYWELL.
9KUD197	EDGE CUMBE PEEBLES, R.W. MUNRO.
9KUD1910	ABB KENT-TAYLOR.
9KUD1911	ABB KENT-TAYLOR.
9KUD1912	ABB KENT-TAYLOR.
9KUD1913	ABB KENT-TAYLOR.
9KUD1914	ABB KENT-TAYLOR.
9KUD1917	FIELDEN INSTRUMENTS.
9KUD1921A	ARKON.
9KUD1922	BRISTOL.
9KUD1923	BRISTOL.
9KUD1924	BRISTOL, BAILEY.
9KUD1926	BARTON.
9KUD1927	BARTON.
9KUD1928	ROBERTSHAW.
9KUD1931	WESTINGHOUSE.
9KUD1932	WESTINGHOUSE.
9KUD1933	WESTINGHOUSE.
9KUD1934	WESTINGHOUSE.
9KUD1935	ZEAL.



CROWN GRAPHIC

**CROWN GRAPHIC PRODUCT
NUMBERS USED ON OEM EQUIPMENT**

JANUARY 2008

9KUD1940	BRISTOL.
9KUD1941	BRISTOL.
9KUD1943	BRISTOL.
9KUD19432	WEKSLER
9KUD1944	BRISTOL.
9KUD19442	WEKSLER
9KUD1946	BRISTOL.
9KUD19462	WEKSLER
9KUD1947	BRISTOL.
9KUD1948	BRISTOL.
9KUD1949	BRISTOL.
9KUD1950	BRISTOL.
9KUD1951	BRISTOL.
9KUD1952	BRISTOL.
9KUD1956/2	DURO.
9KUD1957/2	DURO.
9KUD1958/2	CLEVELAND CONTROLS.
9LUD19712	WEKSLER
9KUD20EK	ABB KENT-TAYLOR.
9KUD20ET	ABB KENT-TAYLOR.
9KUD20K	ABB KENT-TAYLOR.
9KUD20T	ABB KENT-TAYLOR.
9LA100901	CHESELL.
9LA100902	CHESELL.
9LA100903	CHESELL.
9LN01	LEEDS & NORTHRUP.
9LN02	LEEDS & NORTHRUP.
9M272451	WEKSLER.
9M272452	WEKSLER.
9M272453	WEKSLER.



CROWN GRAPHIC

**CROWN GRAPHIC PRODUCT
NUMBERS USED ON OEM EQUIPMENT**

JANUARY 2008

9MR01	AGA, R.W. MUNRO.
9MR02	R.W. MUNRO.
9MR12518716	EDGE CUMBE PEEBLES, R.W. MUNRO.
9MUNARM	R.W. MUNRO.
9P250/71/2715	ABB KENT-TAYLOR.
9PE01	LEEDS & NORTHRUP, PERKIN ELMER.
9PE02	PERKIN ELMER.
9PRLN	ABB KENT-TAYLOR, LEEDS & NORTHRUP.
9R001	BRITISH ROTOTHERM.
9R002	BRITISH ROTOTHERM.
9R003	BRITISH ROTOTHERM.
9R004	BRITISH ROTOTHERM.
9R005	BRITISH ROTOTHERM.
9R006	BRITISH ROTOTHERM.
9R007	BRITISH ROTOTHERM.
9R402OL	HONEYWELL.
9ROL	BABCOCK BRISTOL, FIELDEN INSTRUMENTS.
9ROLFPTE	FISCHER & PORTER
9ROLPG	PENNY & GILES.
9SE01	SEREG.
9SE02	SEREG.
9SE03	SEREG.
9SE04	SEREG.
9SE05	SEREG.
9SE06	SEREG.
9SGB01	BROWN (SG).
9SGB02	BROWN (SG).
9T2/10	ABB KENT-TAYLOR.
9TR0188	FISHER CONTROLS.
9Z4703001	ZEAL.



CROWN GRAPHIC CATALOGUE INDEX

OEM NAME	Pg	OEM NAME	Pg
ABB KENT-TAYLOR	A01	AMNICO	A09
ADOS	A02	AMP	A10
ADVANCE BRYANS -> BRYANS INST.		AMREIN	A11
AGA	A03	ANACHEM -> GILSON	
AHLBORN -> THERM		ANASPEC	A12
AIRFLOW	A04	ANPICO	A13
ALEXANDER WRIGHT	A05	ARISTO	A14
ALLEN DATAGRAPH	A06	ARKON	A15
ALLTECH ASSOCIATES	A07	AVERY	A16
AMERICAN METER	A08		
BABCOCK BRISTOL	B01	BIO-RAD	B15
BAILEY	B02	BIOTRONIK	B16
BARBER & COLMAN	B03	BOYLE INDUSTRIAL GAUGING	B17
BARBY & KUHNER	B04	BRABENDER	B18
BARTON	B05	BRAINARD	B19
BAUSCH & LOMB -> HOUSTON		BRISTOL	B20
BECKMAN	B06	BRITISH ROTOTHERM	B21
BELFORT	B07	BROWN (S.G.)	B22
BENDER & HOLBEIN	B08	BROWNE	B23
BENDIX	B09	BRUEL & KJAER	B24
BENSON	B10	BRUKER PHYSIK	B25
BERRUET	B11	BRUNING	B26
BIF (BASIC IN FLOW)	B12	BRYANS INSTRUMENTS	B27
BIF SANITROL	B13	BURGER	B28
BIO OPTRONICS	B14		
CALCOMP	C01	CHINO	C09
CAMBRIGE -> ABB KENT-TAYLOR		CLEVELAND CONTROLS	C10
CAMILLE BAUER	C02	CLIFFORD INSTRUMENTS	C11
CARLO ERBA	C03	COLE PALMER	C12
CASSELLA	C04	COMARK	C13
CECIL	C05	COMEUREG	C14
C.G.S.	C06	COMMODORE	C15
CHAUVIN ARNOUX	C07	CORNING GLASS	C16
CHESSELL	C08	CURKEN SCIENTIFIC	C17
DATA MART -> GRAPHTEC		DRAYTON CONTROLS	D05
DERMATHERM	D01	DRD -> VDO	
DEVAR	D02	DU PONT	D06
DICKSON	D03	DURO	D07
DIGITAL	D04		
ECKARDT	E01	ELVI	E05
EDGCUMBE PEBBLES	E02	ENDRESS & HAUSER	E06
ELECTROFLO -> FISHER CONTROLS		ENERTEC SCHLUMBERGER -> SEREG	
ELKAY	E03	ENTER COMPUTER	E07
ELLIOTT -> FISHER CONTROLS		ESTERLINE ANGUS	E08
ELMES STAUB	E04	EVERSHED & VIGNOLES	E09
FACIT	F01	FISHER SCIENTIFIC	F07
FAREG	F02	FLOWSHEET PANELS	F08
FARNELL	F03	FOSTER CAMB. -> ABB KENT-TAYLOR	
FIELDEN INSTRUMENTS	F04	FOURNIER-EUVARD	F09
FISCHER & PORTER	F05	FOXBORO	F10
FISHER CONTROLS	F06	Dr. FREIDRICHS	F11



CROWN GRAPHIC CATALOGUE INDEX

OEM NAME	Pg	OEM NAME	Pg
GALLENKAMP	G01	GOSSEN	G08
GENERAL ELECTRIC	G02	GOULD BRUSH / MEDICAL	G09
GENERAL RADIO	G03	GRAPHMATE	G10
GERATETYP	G04	GRAPHTEC	G11
GILSON	G05	GRASON STADLER	G12
GIROUX-MESURES	G06	GULTON	G13
GOERZ	G07		
HAAKE	H01	HEWLETT PACKARD	H08
HAENNI	H02	HILGER ANALYTICAL	H09
HARTMANN & BRAUN	H03	HIRSCHMANN	H10
HAYS REPUBLIC	H04	HITACHI -> PERKIN ELMER	
HASTINGS-RADIST -> TELEDYNE		J.S. HOLDINGS	H11
HC ELECTRONICS	H05	HONEYWELL	H12
HEATH CONSULTANTS	H06	Dr. HORN	H13
Dr. HENSCHEN	H07	HOUSTON	H14
IBM	I01	IOLINE CORPORATION	I05
IFELEC	I02	I.P. & T.	I06
INSTRON	I03	ISUZI	I07
INSTRUMENT SPECIALITIES (ISCO)	I04		
JAEGER	J01	JOYCE-LOBEL (UK)	J04
JAQUET	J02	JUCHEIM (JUMO)	J05
FWH JOENS GERATE	J03		
KAMSTRUP	K01	KETTERER	K02
KENT IND. MEAS. -> ABB KENT-TAYLOR		KIPP & ZONEN	K03
KENT LEA -> ABB KENT-TAYLOR (ABB)		Dr. KNAUER	K04
KENT PROCESS CONT. -> ABB		KONTRON -> W & W	
KENT TIEGHI -> ABB			
LAB DATA CONTROL -> MOLYTEK		LEOPOLD SYBRON	L06
LAMBRECT	L01	LINEAR	L07
LAUMANN	L02	LINEAR GRAPHICS	L08
LAUMONIER	L03	LINSEIS	L09
LDC LATEK	L04	LLOYD INSTRUMENTS	L10
LEEDS & NORTHRUP	L05	LODE	L11
MAIHAK	M01	METRO	M12
MANGELS	M02	METROHM	M13
MANNESMANN TALLY -> GRAPHTEC		METROSONICS	M14
MARKSON	M03	M.F.E.	M15
MASONEILAN	M04	MOLYTEK	M16
MAX	M05	MONSANTO	M17
MAXANT	M06	MOORE OREGON	M18
MCC	M07	MOORE PRODUCTS	M19
MECHTRON	M08	P.K. MORGAN	M20
MECILEC	M09	MORS	M21
MECI -> MECILEC		MOUNT SOPRIS	M22
MERCURY	M10	Dr. MULLER	M23
MESSTECHNIK REINHARDT	M11	R.W. MUNRO	M24
METRAWATT -> GOERZ		MUTOH	M25



CROWN GRAPHIC CATALOGUE INDEX

OEM NAME	Pg	OEM NAME	Pg
WANG	W01	WEST	W05
WATANABE -> GRAPHTEC		WESTINGHOUSE	W06
WEATHERMEASURE	W02	WESTRONICS	W07
W.E.C. -> WESTINGHOUSE		WHITE BOX	W08
WEKSLER	W03	W & W ELECTRONIK	W09
WELL RECONNAISSANCE	W04	WALKER & CROSSWELLER -> ARKON	
YAMTAKE-HONEYWELL	Y01	YOKOGAWA	Y02
YEW -> YOKOGAWA			
ZEAL	Z01	ZWICK	Z03
ZEISS	Z02		

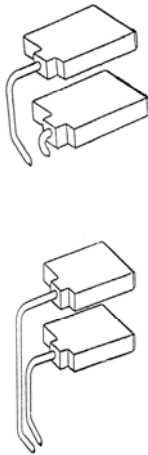
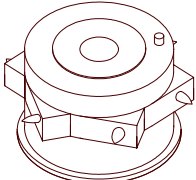
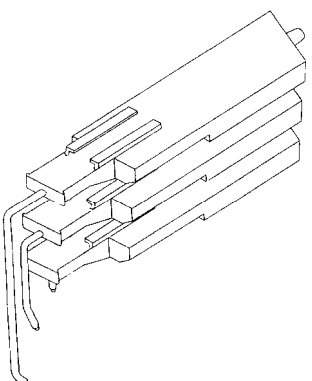


CROWN GRAPHIC

MARKING SYSTEMS CATALOGUE

JANUARY 2008

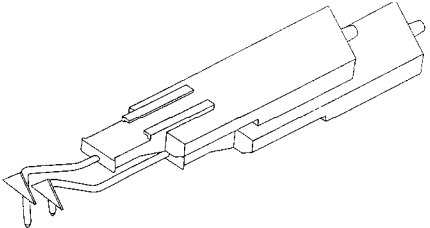
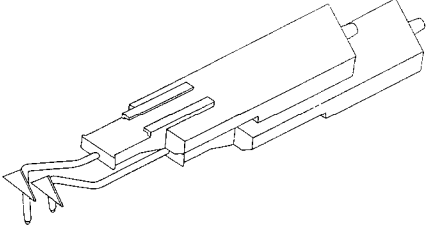
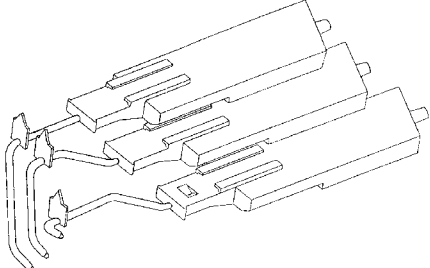
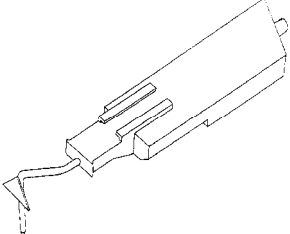
PAGE A01.01

Model	OEM Part	Our Equivalent	Pk	ABB KENT-TAYLOR
<u>FOSTER CAMB.</u> P100L, P101L, P100S	P100L/1095	1MT131-R	3	
P102L	P100L/1095 P102L/0151	1MT131-R 1MT132-G	3 3	
P100M, P103L	P100L/1095 P100M/0056 P103L/0061 P103L/0062	1MT131-R 1MT133-G 1MT134-V	3 3 3	
	P103L/0060	1MT13-MIX04 (1-R, 3-G, 4-V)	3	
<u>FOSTER CAMB.</u> P613, P633	P600/0252	6PW02	1	
P616, P634, P636	P600/0253	6PW03	2	
P600	P600M/0006	6PW04	2	
<u>TAYLOR.</u> 800JD1, 800JD2 Model B,	54S39RTA 54S41BTA	1MT402-R 1MT403-B	3 3	
90 J Model A, 91 J Model A, 490 J, 700J D/F, 700JD1, JF1/2/3,	54S41BTA 54S39RTA 54S42GTA	1MT403-B 1MT402-R 1MT401-G	3 3 3	
1311J, 1312J, 1313J	54S41GTA 54S39RTA 54S127BTA	1MT403-G 1MT402-R 1MT431-B	3 3 3	

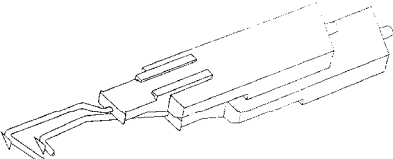
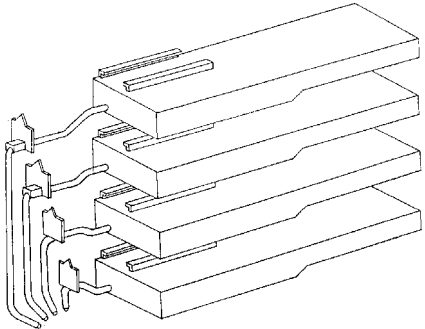
GRAPHIC CONTROLS LTD, ST PETERS QUAY, TOTNES, DEVON, TQ9 5XH, UK

TEL : +44 (0)1803 860100 FAX : +44 (0)1803 863838 EMAIL : sales@crowng.com WEB : http://www.crowng.com



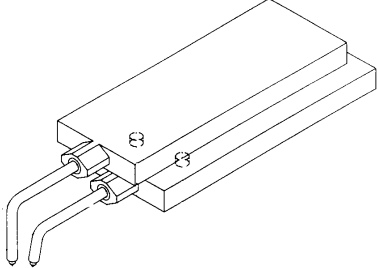
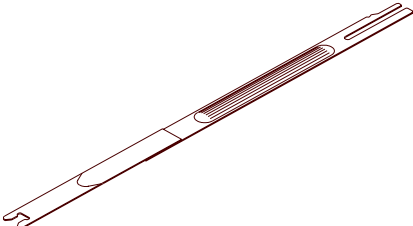


Model	OEM Part	Our Equivalent	Pk	ABB KENT-TAYLOR
<u>TAYLOR.</u> 830JD1 Model B (OLD), 870JD1 (OLD), 870N (OLD), 871N (OLD), 930JD1 Model B (OLD), 970JD1 (OLD), 971N (OLD).	54S45RTA	1MT412-R	3	
530J (OLD), 630J (OLD), 830JD2 Model B (OLD), 930JD2 Model C, 970N (OLD).	54S45RTA 54S46BTA	1MT412-R 1MT414-B	3 3	
<u>TAYLOR.</u> 513J, 631J, 831J Model B, 931J Model B.	54S43RTA 54S44GTA	1MT411-R 1MT413-G	3 3	
<u>TAYLOR.</u> 532J, 632J.	54S48RTA 54S49GTA 54S50BTA	1MT422-R 1MT421-G 1MT423-B	3 3 3	
<u>TAYLOR.</u> 833K5	54S47RTA	1MT412V-R	3	



Model	OEM Part	Our Equivalent	Pk	ABB KENT-TAYLOR
<u>TAYLOR.</u> 830JD1 Model B (NEW), 870JD1 (NEW), 870N (NEW), 871N (NEW) 930JD1 Model B (NEW), 970JD1, 970N (NEW), 971N (NEW), 1301J Model A.	54S125RTA	1MT432-R	3	
530J (NEW), 630J (NEW) 830JD2 Model C (NEW), 830JD2 Model D, 930JD2 Model C (NEW), 930JD2 Model D, 1302J Model A.	54S125RTA 54S126GTA	1MT432-R 1MT433-G	3 3	
<u>TAYLOR.</u> 1321J Model A, 1331J Model A, 1401J Model A, 1411J Model A.	54S135RTA	1MT363-R	2	
1322J Model A, 1332J Model A, 1402J Model A, 1412J Model A.	54S135RTA 54S136GTA	1MT363-R 1MT364-G	2 2	
1323J Model A, 1333J Model A, 1403J Model A, 1413J Model A.	54S135RTA 54S136GTA 54S137BTA	1MT363-R 1MT364-G 1MT362-B	2 2 2	
1334J Model A. 1414J Model A.	54S135RTA 54S136GTA 54S137BTA 54S138PTA	1MT363-R 1MT364-G 1MT362-B 1MT361-V	2 2 2 2	

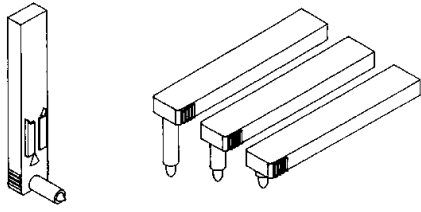
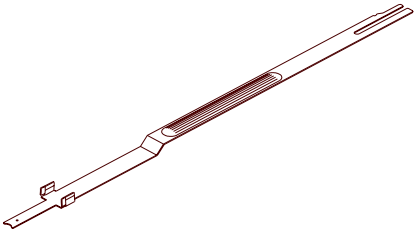
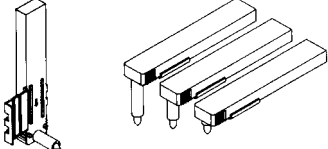
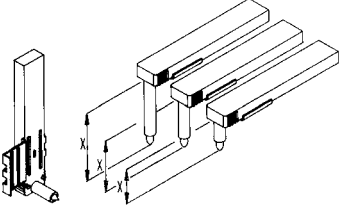
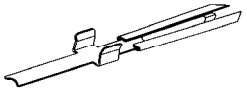


Model	OEM Part	Our Equivalent	Pk	ABB KENT-TAYLOR
<u>TAYLOR.</u>				
2.3cc INK CARTRIDGES USED ON METAL CAPILLARY PENS.				
USED ON THE FOLLOWING METAL PENS:- 54S135, 54S136, 54S137, 54S138.	96S165 96S166 96S167 96S168	2R103-R 2R103-G 2R103-B 2R103-V	2 2 2 2	
<u>TAYLOR.</u>				
1.5cc INK CARTRIDGES USED ON METAL CAPILLARY PENS.				
USED ON THE FOLLOWING METAL PENS:- 54S34, 54S41, 54S42, 54S43, 54S44, 54S45, 54S46, 54S48, 54S49, 54S125, 54S126, 54S127.	96S121 96S122 96S123	2R102-R 2R102-G 2R102-B	3 3 3	
<u>TAYLOR.</u>				
1413J	96S124B 96S124G 96S124R	3CC250-B01 3CC250-G01 3CC250-R01	1 1 1	
<u>TAYLOR.</u>				
195J SAFETY LIMIT THERMAL RECORDER.	500S1664 500S1665	1MT941-B 1MT942-R	1 1	
	500S1668	9K94	1	



Model	OEM Part	Our Equivalent	Pk	ABB KENT-TAYLOR		
<u>TAYLOR.</u>						
76J/120R FULSCOPES	54S205RTA	1UD201-R	6			
	54S205BTA	1UD201-B	6			
	54S205GTA	1UD201-G	6			
	54S206RTA	1UD202-R	6			
	54S206BTA	1UD202-B	6			
	54S207RTA	1UD203-R	6			
	54S207BTA	1UD203-B	6			
	54S207GTA	1UD203-G	6			
	54S207PTA	1UD203-V	6			
	54S208BTA	1UD204-B	6			
	54S208PTA	1UD204-V	6			
	54S208GTA	1UD204-G	6			
	54S208BK	1UD204-N	6			
	51P713	9K20 PEN ARM	1			
	<u>TAYLOR.</u>					
	76J/120R FULSCOPES	54S205RTA	1UD241-R		6	<p>FOR PEN ARM TYPE</p>
54S205BTA		1UD241-B	6			
54S205GTA		1UD241-G	6			
54S206RTA		1UD242-R	6			
54S206BTA		1UD242-B	6			
54S207RTA		1UD243-R	6			
54S207BTA		1UD243-B	6			
54S207GTA		1UD243-G	6			
54S207PTA		1UD243-V	6			
54S208BTA		1UD244-B	6			
54S208PTA		1UD244-V	6			
54S208GTA		1UD244-G	6			
54S208BK		1UD244-N	6			

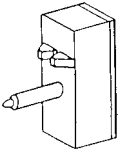
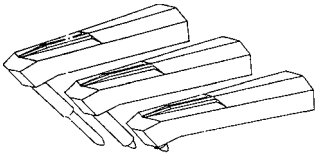


Model	OEM Part	Our Equivalent	Pk	ABB KENT-TAYLOR
<u>TAYLOR.</u> 1900J ER/C	54S206RTA 54S207GTA 54S205BTA	1UD202-R 1UD203-G 1UD201-B	6 6 6	
	500P1068	9K500P1068 PEN ARM	1	
	500S1150-1 500S1150-2 500S1150-3	1UD242-R 1UD243-G 1UD241-B	5 5 5	
<u>TAYLOR.</u>	155S175-3 155S175-4 155S175-5 155S175-6 155S175-8	1UD242-R 1UD242-B 1UD243-R 1UD243-B 1UD244-V (the above pens are supplied with conversion clips)	4 4 4 4 4	
	51P713	9K20	1	



Model	OEM Part	Our Equivalent	Pk	ABB KENT-TAYLOR
<u>TAYLOR.</u> COMMANDER 1900 SERIES.	C1900-0119 C1900-0120 C1900-0121 C1900-0122 C1900-0123	1UD204-N 1UD201-B 1UD202-R 1UD203-G 1UD204-V	3 3 3 3 3	
	C1900-0075 C1900-0077	9KUD20K01 9KUD20EK01	1 1	
	C1900-0076 C1900-0078	9KUD20T01 9KUD20ET01	1 1	
<u>TAYLOR.</u> TRACELEC	B73236 B73237 B73238 B73239	1MT661-R 1MT662-B 1MT663-V 1MT664-G	3 3 3 3	
<u>TAYLOR.</u>	54P120-1 54P120-2 54P120-3 54P120-4	9K54P1201 9K54P1202 9K54P1203 9K54P1204	1 1 1 1	



Model	OEM Part	Our Equivalent	Pk	ABB KENT-TAYLOR
TAYLOR. 288-1014A;1428m371		1SD32-R02	6	
<div style="border: 1px solid black; padding: 10px; width: fit-content; margin: 0 auto;"> <p>KENT (FOSTER CAMBRIDGE) CIRCLE CHART RECORDERS (PRE P105M) CAN BE CONVERTED FROM THE ORIGINAL INK CAPSULE PENS TO FTD PENS WITH EITHER 1FD34 SERIES, WHICH FIT DIRECTLY ONTO THE ORIGINAL OEM ARMS, OR 9KUD19 ARMS WHICH PERMIT THE USE OF OUR UD24 PEN SERIES TO BE FITTED. THESE ARMS ARE EASY TO FIT AND UD24 GIVES ATLEAST TWICE THE LINE LENGTH.</p> </div>				
P70M, C105, P105T, M105, TH105.	P70M/0071 15321-287 B8531 P70M/0072 15327-288 B8532	1FD342-R	5	
P105M, PX105, PXR105.	P105M/0301	1FD341-G	5	
	P105M/0302			
	P105M/0303	1FD341-G	5	
		1FD342-R	5	
		1FD343-V	5	
<div style="border: 1px solid black; padding: 5px; width: fit-content; margin: 0 auto;"> <p>CONTINUED ON NEXT PAGE</p> </div>				


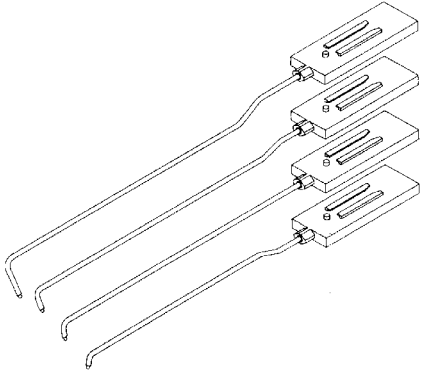


Model	OEM Part	Our Equivalent	Pk	ABB KENT-TAYLOR
<p>THESE ARE ORIGINAL FD34 PEN ARM PART NUMBERS BELOW. WHICH ARE USED WITH THE ABOVE FD34 PENS. WE CANNOT SUPPLY THE ORIGINAL ARMS. ALTERNATIVELY WE CAN OFFER THE CONVERSION ARMS BELOW TO CONVERT TO OUR UNIVERSAL 1UD24 PEN SERIES.</p>				
P105T, M105 1 CHANNEL 2 CHANNEL UPPER 2 CHANNEL LOWER	15-231-325 15-231-325 15-231-326	9KUD1910 9KUD1910 9KUD1911	1 1 1	
C105 1 CHANNEL 2 CHANNEL UPPER 2 CHANNEL LOWER (NEWER TYPE) 2 CHANNEL LOWER (OLDER TYPE)	15-231-327 15-231-327 15-231-328 15-231-329	9KUD1912 9KUD1912 9KUD1913 9KUD1914	1 1 1 1	
<p>USING EITHER CONV. ARM 9KUD1910 OR 14.</p>			6	
<p>USING EITHER CONV. ARM 9KUD1911/12 OR 13.</p>			6	
	15321-287 (B8531)	1UD241-R.	6	
	15321-288 (B8532)	1UD242-B	6	
<u>KENT TIEGHI.</u> P3000 F-RH, P4000 F-RH, P4000 L-RH.	AB 540 50530/1 AB 540 50540/1 AB 540 50550/1	1MX181-R 1MX182-G 1MX183-B	1 1 1	

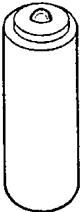
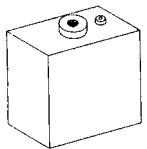
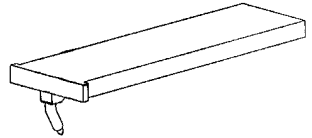
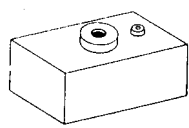


Model	OEM Part	Our Equivalent	Pk	ABB KENT-TAYLOR
<u>KENT PROCESS CONTROLS.</u>				
FLEXEL & FLEXAIR RECORDER CONV. ARMS.	2/FMF1476	9K141 USING A 1MT141-R	10 5	
	2/FMF1477	9K142 USING A 1MT142-G	10 5	
	2/FMF1478	9K143 USING A 1MT143-B	10 5	
<p>NOTE: OUR MT19 SERIES BELOW HAS BEEN DEVELOPED FOR USE AS A DIRECT EQUIVALENT OF OTHER MANUFACTURERS FTD CONVERSIONS FOR FLEXEL & FLEXAIR RECORDERS. WHERE NO PREVIOUS CONVERSION EXISTS, USE MT14 WITH K14 SERIES CONVERSION CLIPS.</p>				
ORIGINAL CAPILLARY SYSTEM.		1MT191-R 1MT192-G 1MT193-B	5 5 5	
	2/FMF1476	9KP01	1	
	2/FMF1477	9KP02	1	
	2/FMF1478	9KP03	1	
	FLX7603	2R202-B	10	
	FLX7606	" "		
	YBL002	" "		
	4000.1932	" "		
	FLX7604	2R202-R	10	
	FLX7607	" "		
	YBL003	" "		
	4000.1933	" "		
FLX7605	2R202-G	10		
FLX7608	" "			
YBL004	" "			
4000.1934	" "			
<p>CONTINUED ON NEXT PAGE.....</p>				



Model	OEM Part	Our Equivalent	Pk	ABB KENT-TAYLOR
<u>KENT PROCESS CONTROLS.</u>				
	IXX4069 FMF1967 4000.1967	9KP04 PIERCE UNIT FOR 2R202 CARTS.	1	
	4900.0010	9PRLN PEN CLEANER.	1	
	2/YB1122 2600.0001	4K-2-270-48 D FOR 9KP01-3	1	
	YBL0005 2605.0001 B5691	7RB PRIMING BULB	1	
<u>FOSTER CAMB.</u>				
<div style="border: 1px solid black; padding: 5px; width: fit-content; margin: 0 auto;"> KENT P3000 RECORDERS WITH HORIZONTAL SCALES CAN EASILY BE CONVERTED TO FTD PENS BY USING THE REPLACEMENT PEN ARMS LISTED BELOW. </div>				
P3000 RECORDERS. PEN ARM FOR CHANNEL 2-4.		9K48A	12	
PEN ARM FOR CHANNEL 1. (SHORTEST)		9K48AS	1	
LOWER SHORT PEN	4010 7180 4010 7200	1MT481-V 1MT482-B	3 3	
	4010 7170	1MT483-G	3	
UPPER LONG PEN	4010 7190	1MT484-R	3	
<div style="border: 1px solid black; padding: 5px; width: fit-content; margin: 0 auto;"> WHEN CONVERTING, ONE OF THE ORIGINAL SCREWS SHOULD BE USED AS THE THIRD SCREW ON THE CONVERSION.. </div>				


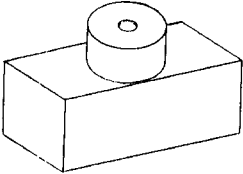
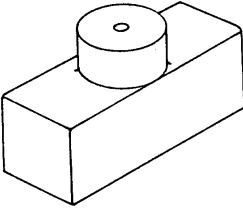


Model	OEM Part	Our Equivalent	Pk	ABB KENT-TAYLOR
<u>FOSTER CAMB.</u>				
P100L-P102L SERIES	2/YB1115 (B6377)	2N500-R	4	
	2/YB1116 (B6378)	2N500-G	4	
	2/YB1117	2N500-V	4	
<u>FOSTER CAMB.</u>				
P250L	P250L71/2751	9P250/71/2751	1	 2S301
	B4572 B5879	2S301-R 2S301-N	1 1	
CAPILLARY RECORDERS- P100L, P102L, P101L, P120L, P125L, P250L (INSTALLATION TOOL WITH EACH PACK).	B4923	4B-2-160-35TX4	1	
	<div style="border: 1px solid black; padding: 5px; text-align: center;"> WE CAN OFFER A CONVERSION FOR THE P250L RECORDERS, CONVERTING THE CAPILLARY PENS TO FTD PENS. </div>			
P120L & P125L	P250/71/2751	9K59 PEN ARM	1	
		1MT59-R FTD 1MT59-N FTD	3 3	
	B5991	2S311-R	4	 2S311
	B5992	2S311-B	4	
	B6041	2S311-G	4	
<div style="border: 1px solid black; padding: 5px; text-align: center;"> THE ORIGINAL METAL PEN ASSEMBLIES FOR ALL THE ABOVE STRIP CHART RECORDERS ARE AVAILABLE IF REQUIRED. NOTE THAT THE 3 CHANNEL P103L WAS NEVER MANUFACTURED WITH A CAPILLARY PEN SYSTEM. </div>				



Model	OEM Part	Our Equivalent	Pk	ABB KENT-TAYLOR
<u>KENT IND. MEAS.</u>	FRMV46 FRMV47 FRMV48	3OZ1-B01 3OZ1-G01 3OZ1-N01	12 12 12	
<u>FOSTER CAMB.</u>				
P120 CLEARSPAN (74281-3 SERIES)	74282-1416 74283-1416	9T2/10-FC2 9T2/10-FC3	1 1	
<u>KENT IND. MEAS.</u>				
P120L	P120L/21/1062 P120L/21/1090	9KIM1062 9KIM1090	1 1	
P125L	P125L/21/1386 P125L/21/1387	9KIM1386 9KIM1387	1 1	
<div style="border: 1px solid black; padding: 10px; width: fit-content; margin: 0 auto;"> <p>WE HAVE CONVERSION TO FTD PENS BUT THESE INVOLVE DISCARDING THE LOWER SCALE BAR WHEN CONVERTING TWO CHANNEL RECORDERS. DETAILS ARE AVAILABLE ON REQUEST.</p> </div>				
SINGLE CHANNEL	P120L/21/1062 P120L/21/1090	9K570/1 9K570 1MT571-R	1 1 3	
TWO CHANNEL	P125L/21/1386 P125L/21/1387	9K572 1MT572-R FRONT PEN 9K571 1MT571-G REAR PEN	1 3 1 3	



Model	OEM Part	Our Equivalent	Pk	ABB KENT-TAYLOR
<u>FOSTER CAMB.</u>	P101L-0043 P102L-0048 P103L-0576T	9A016 9A017 9A018	1 1 1	
<u>KENT LEA.</u>	14349 14359	2N100-# 2N100-#	4 4	
AVAILABLE IN EITHER B,G,N,R OR V.				
<u>KENT LEA.</u> 'E' SERIES	N/A	1PB20-V FITS ORIGINAL ARM	1	
<u>KENT PROCESS CONTROLS.</u>	2/YB1110 2/YB1111 2/YB1112	2S401-R 2S401-B 2S401-G	4 4 4	
<u>KENT TIEGHI.</u>	2602.0005 2602.0006 2602.0007	2S411-R 2S411-B 2S411-G	4 4 4	



Model	OEM Part	Our Equivalent	Pk	ABB KENT-TAYLOR
<p><u>KENT PROCESS CONTROLS.</u></p>				
<p>KENT COMMANDER CIRCLE CHART RECORDERS CAN BE CONVERTED TO USE OUR 1UD24 SERIES FTD PENS BY FITTING THE ARMS LISTED BELOW.</p>				
SINGLE CHANNEL AND 1 ST , SHORTEST	PEN ARM FTD PEN	9KUD1916 1UD242-#	1 6	
SECOND CHANNEL, LONGEST.	PEN ARM FTD PEN	9KUD1915 1UD243-#	1 6	
<p>WE CAN SUPPLY OUR 1UD24 FTD SERIES IN A VARIETY OF COLOURS, EITHER B,G,N,R OR V.</p>				
PR100 PR250 SR100	PR100-0211	6PH02 (6 COLOUR)	1	
PR100 PR250 SR100	PR100-0210	6PH03 (3 COLOUR)	1	





CROWN GRAPHIC

MARKING SYSTEMS CATALOGUE

JANUARY 2008

PAGE A02.01

Model	OEM Part	Our Equivalent	Pk	ADOS
		2N200-B 2N200-G 2N200-R 2N200-V	4 4 4 4	
		2N300-B 2N300-G 2N300-N 2N300-R 2N300-V	4 4 4 4 4	



CROWN GRAPHIC

MARKING SYSTEMS CATALOGUE

JANUARY 2008

PAGE A03.01

Model	OEM Part	Our Equivalent	Pk	AGA
RTR-21		9MR01	1	

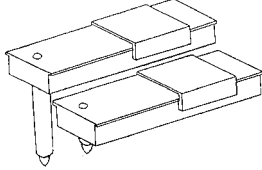

GRAPHIC CONTROLS LTD, ST PETERS QUAY, TOTNES, DEVON, TQ9 5XH, UK

TEL : +44 (0)1803 860100 FAX : +44 (0)1803 863838 EMAIL : sales@crowng.com WEB : http://www.crowng.com



Model	OEM Part	Our Equivalent	Pk	AIRFLOW
THERMO-HYDROGRAPH 3-1125	44521 3-1651-01 44522 3-1651-03 44523 3-1651-11 44524 3-1651-15 44527 3-1651-09 44528 3-1651-07 44529 3-1651-08	CONTACT OUR SALES DEPT. FOR INFO. OF THE CORRECT PEN TO ORDER.		

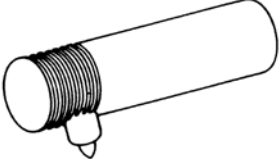
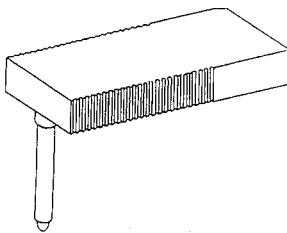


Model	OEM Part	Our Equivalent	Pk	ALEXANDER WRIGHT
VARIOUS CIRCLE CHART RECORDERS		1UD281-B 1UD281-G 1UD281-N 1UD281-R 1UD282-B 1UD282-G 1UD282-N 1UD282-R	10 10 10 10 10 10 10 10	
FOR CIRCLE CHART RECORDERS WITH OLD INK CAPILLARY SYSTEMS USE THE FOLLOWING.				
		4N38 TIP 7RB PRIMING BULB 2N500-B 2N500-G 2N500-N 2N500-R 2N500-V	1 1 4 4 4 4 4	

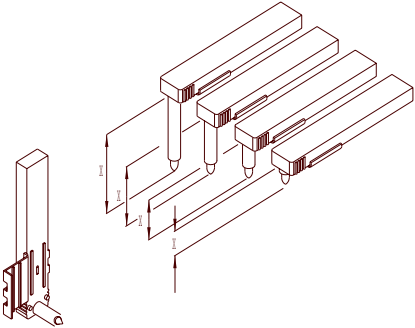
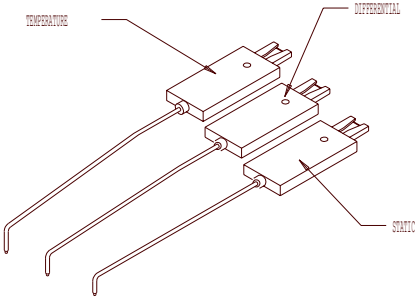


Model	OEM Part	Our Equivalent	Pk	ALLEN DATAGRAPH	
SERIES 2100 TYPE 2110E, 2110M, 2115E, 2115M = 1 CHANNEL 2120E, 2120M, 2125E, 2125M = 2 CHANNEL	31343007	1FD29C17-N	5		
	31343015	1FD29C17-B	5		
	31343023	1FD29C17-R	5		
	31343031	1FD29C17-G	5		
	31344005	1FD29C32-N	5		
	31344013	1FD29C32-B	5		
	31344021	1FD29C32-R	5		
	31344039	1FD29C32-G	5		
	D5000 SERIES 1 & 2 PEN ANALOGUE RECORDERS ALSO MOST OMNISCRIBE RECORDER MODELS.	MP-494	1CY5-N		4
		MP-495	1CY5-R		4
MP-496		1CY5-G	4		
MP-497		1CY5-B	4		
MP-498		1CY5-MIX01 (1x N,R,B,G)	4		
MP-499		1CY5-MIX02 (2 x N,R)	4		
MP-532		1CY5FL-N	4		
MP-533		1CY5FL-R	4		
MP-534		1CY5FL-G	4		
MP-535		1CY5FL-B	4		
MP-547		1CY5FL-MIX01 (1x N,R,B,G)	4		
MP-548		1CY5FL-MIX02 (2x N,R)	4		
<div style="border: 1px solid black; padding: 5px; display: inline-block;"> FL RANGE OF PENS IS FOR SLOW WRITING APPLICATIONS. </div>					

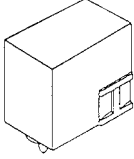
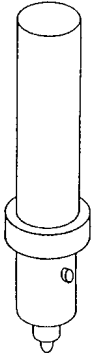


Model	OEM Part	Our Equivalent	Pk	ALLTECH ASSOCIATES
112, 152, 155, 156, 160, 161, 212, 222, 252A, 254, 255, 260, 261, 264.	0100-0101 0100-0102 0100-0103 0100-0104	1PB3-B03 1PB3-R03 1PB3-N03 1PB3-G03	6 6 6 6	
140, 141, 142, 143, 232, 281, 285, 290, 291, 294, 355, 361, 385, 391, 395, 412, 422, 455, 456, 485, 486, 555, 585, 595, 855, 1000, 1010, 1020, 1101, 1110, 1201, 1202, 1210, 1410, 1420, 1801, 1802, 2010, 2020, 2030, 2501, 2502, 2503, 4100, 4200, BIOANALYZER.	0100-0105 0100-0106 0100-0107 0100-0108	1FD29C09-B 1FD29C09-R 1FD29C09-N 1FD29C09-G	5 5 5 5	
281, 282, 284, 285, 290, 291, 294, 385, 391, 432, 485, 486, 585, 885, 1202, 1420, 1802, 2030, 4200.	0100-0109 0100-0110 0100-0111 0100-0112	1FD29C31-B 1FD29C31-R 1FD29C31-N 1FD29C31-G	5 5 5 5	



Model	OEM Part	Our Equivalent	Pk	AMERICAN METER
<p>8" AND 9" CIRCLE CHART RECORDERS.</p> <div data-bbox="368 543 872 636" style="border: 1px solid black; padding: 5px; text-align: center;"> <p>AVAILABLE IN A VARIETY OF COLOURS, EITHER B,G,N,R OR V.</p> </div>		<p>1UD241-# 1UD242-# 1UD243-# 1UD244-#</p>	<p>6 6 6 6</p>	
<p>12" CIRCULAR CHART RECORDERS.</p>		<p>1MX051-N 1MX051-B 1MX052-R 1MX053-G</p>	<p>3 3 3 3</p>	
<p>12" CIRCULAR CHART RECORDERS OLDER STYLE. ARRAY B. A-20, A-88, 10FS DRI FLOW.</p> <p>12" CIRCULAR CHART RECORDERS POST 1980 STYLE. ARRAY A. ALL DRI FLOW.</p> <div data-bbox="331 1619 758 1740" style="border: 1px solid black; padding: 5px; text-align: center;"> <p>REFER TO UNIVERSAL GAS MEASUREMENT SECTION IN FRONT OF CATALOGUE.</p> </div>	<p>TEMP. STATIC DIFF.</p> <p>STATIC DIFF. TEMP.</p>			



Model	OEM Part	Our Equivalent	Pk	AMNICO
DW-2		1SD4-N 1SD4-R 1SD4-B 1SD4-G	10 10 10 10	
<p>USE 1CY14 SERIES AS FUNCTIONAL REPLACEMENT FOR SPF-500 X/Y RECORDERS.</p>				

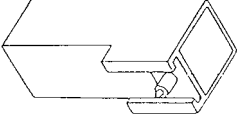


CROWN GRAPHIC

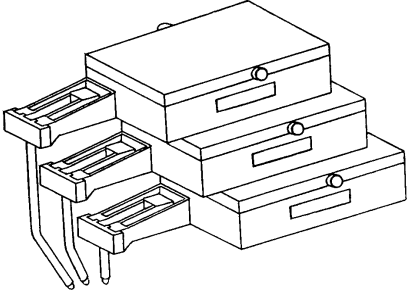
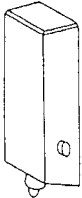
MARKING SYSTEMS CATALOGUE

JANUARY 2008

PAGE A10.01

Model	OEM Part	Our Equivalent	Pk	AMP
		1SD34-B 1SD34-G 1SD34-N 1SD34-R	6 6 6 6	
		1SD34-MIX01 (1x BGRM 2x N)	6	



Model	OEM Part	Our Equivalent	Pk	AMREIN
KS1L, KS2L, KS3L, KS3L-3L, KS1LB, KS2LB, KS1LA, KS3LA, LS3LB, KS6P-3L, KS2LA.	116 947 118 034 116 954 118 042 116 962	1MT721-B 1MT721-R 1MT722-R 1MT722-B 1MT723-G	1 1 1 1 1	
KS2L	111 898 111 899	1SD27-R 1SD27-B	6 6	

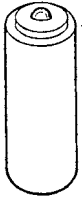


CROWN GRAPHIC

MARKING SYSTEMS CATALOGUE

JANUARY 2008

PAGE A12.01

Model	OEM Part	Our Equivalent	Pk	ANASPEC
OLDER RECORDERS USING CAPILLARY SYSTEM.		2N500-B 2N500-G 2N500-N 2N500-R 2N500-V	4 4 4 4 4	

GRAPHIC CONTROLS LTD, ST PETERS QUAY, TOTNES, DEVON, TQ9 5XH, UK

TEL : +44 (0)1803 860100 FAX : +44 (0)1803 863838 EMAIL : sales@crowng.com WEB : http://www.crowng.com

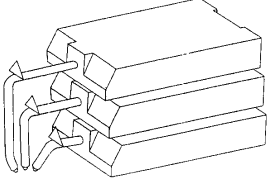


CROWN GRAPHIC

MARKING SYSTEMS CATALOGUE

JANUARY 2008

PAGE A13.01

Model	OEM Part	Our Equivalent	Pk	ANPICO
RP100, S 3 VC.		1MT541-R 1MT542-G 1MT543-B	1 1 1	




CROWN GRAPHIC

MARKING SYSTEMS CATALOGUE

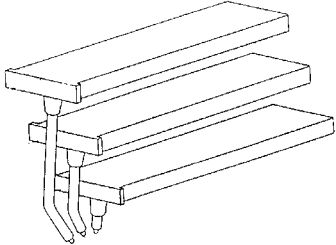
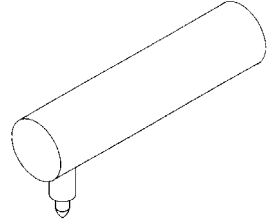
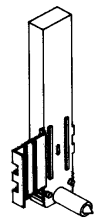
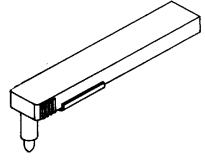
JANUARY 2008

PAGE A14.01

Model	OEM Part	Our Equivalent	Pk	ARISTO
		1CY1-#01	3	

AVAILABLE IN EITHER FL, P3, P5, P7, RB OR STD. AS WELL AS IN ANY COLOUR OF EITHER B,G,M,N,O,R OR V.



Model	OEM Part	Our Equivalent	Pk	ARKON
	6.370.311.0 6.370.321.0 6.370.331.0	1MT241-B 1MT242-R 1MT243-G	3 3 3	
MODEL 63	6.893.021.0 6.893.031.0	1PB7-R10 1PB7-B10	6 6	
<div style="border: 1px solid black; padding: 5px; width: fit-content; margin: 0 auto;"> <p>ALTERNATIVELY WE CAN OFFER OUR OWN CONVERSION FOR THE MODEL 63 RECORDER.</p> </div>				
REPLACEMENT FOR OEM PEN ARM	6.893.011.0	9KUD1921A	1	
REPLACEMENT FOR OEM PEN ON OUR ARM.	6.893.021.0 6.893.031.0	1UD242-R 1UD242-B	6 6	




CROWN GRAPHIC


MARKING SYSTEMS CATALOGUE

JANUARY 2008

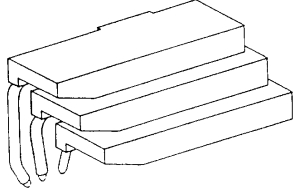
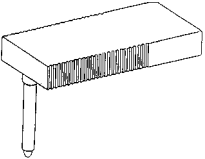
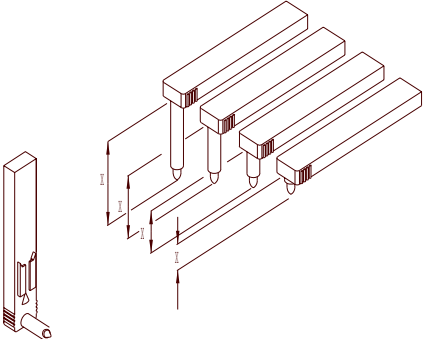
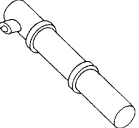
PAGE A16.01

Model	OEM Part	Our Equivalent	Pk	AVERY
	40888-231	9AV01	1	
		2N375-N	4	

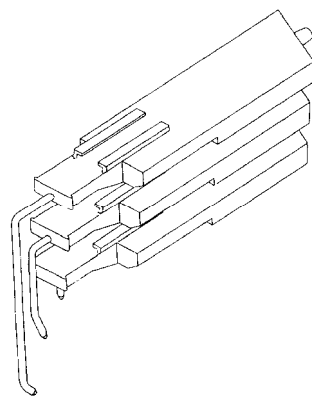
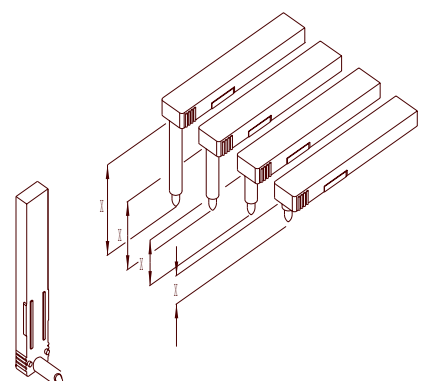
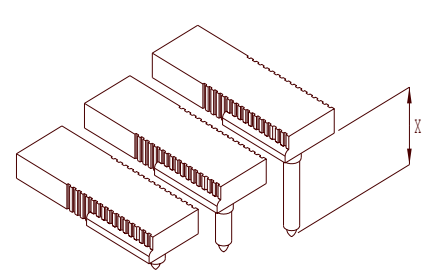


Model	OEM Part	Our Equivalent	Pk	BABCOCK BRISTOL
	C23168C	9BR05	1	
	C23169C	9BR06	1	
	D47946C	9BR07	1	
	D51952C	7RB PRIMING BULB	1	
	D51953C	9ROL	1	
	D54232C	4B-2-230-46-R	1	
	D54233C	4B-2-230-46-B	1	



Model	OEM Part	Our Equivalent	Pk	BAILEY
9020	U 9030 2042/B2 4-40-042/62	1MT261-G	1	
	U 9030 2040/B2 4-40-043/62	1MT262-R	1	
	U 9030 2041/B2 4-40-044/62	1MT263-B	1	
512.	2157K90P0001	1FD29C07-R	5	
520, 521, 530, 531, 731, 732, 733, 734.	2157K90P0001 2157K90P0002	1FD29C07-R 1FD29C24-N	5 5	
W85	3452291	1UD2012MM-R	6	
	3452190	1UD204MM-B	6	
K85	3452291	1UD2012MM-R	6	
	3452292	1UD205MM-B	6	
W35A.			6 6 6	
<div style="border: 1px solid black; padding: 5px;"> <p>A CONVERSION CLIP IS REQUIRED TO CONVERT RECORDER TO DISPOSABLE FTD. WE CAN NOT SUPPLY THE CLIP. AVAILABLE IN EITHER B,G,N,R</p> </div>				

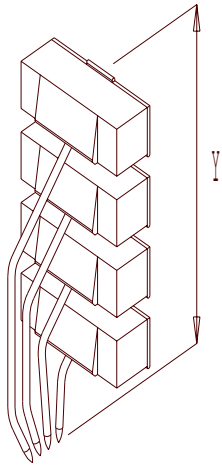


Model	OEM Part	Our Equivalent	Pk	BAILEY
KL, WR SIGNAFLEX	6625122-1 THE ABOVE PART No. REPLACED 6618476-1	1MT403-B 1MT402-R 1MT401-G	3 3 3	
W.C. RECORDERS	LA203291 LA203281 LA203292 LA203282 LA203293 LA203283 LA203294 LA203284	1UD231-B 1UD232-R 1UD233-G 1UD234-N	2 2 2 2	
771, 772, 773 SERIES 7000 (PRIOR TO 1984)	2157B01P0003 2157B01P0002 2157B01P0001		3 3 3	



Model	OEM Part	Our Equivalent	Pk	BAILEY
12" RECORDERS	1948561A4	1MX04300-R	3	
		1MX04300-B	3	
		1MX04300-G	3	
		1MX04300-V	3	
	1948561A3	1MX04510-R	3	
		1MX04510-B	3	
		1MX04510-G	3	
		1MX04510-V	3	
	1948561A2	1MX04720-R	3	
		1MX04720-B	3	
		1MX04720-G	3	
		1MX04720-V	3	
	1948561A1	1MX04930-R	3	
		1MX04930-B	3	
		1MX04930-G	3	
		1MX04930-V	3	
KM65, WE65EI	1006890	1MX021-R	3	
	1006891	1MX022-B	3	
	PEN ARM	9KUD1924	1	
	FTD PEN	1UD243-B	6	
<div style="border: 1px solid black; padding: 5px; text-align: center;"> <p>THE ABOVE CONVERSION ARM AND PEN IS TO CONVERT A SINGLE CHANNEL BAILEY STEAM FLOW METER FROM THE ORIGINAL METAL CAPILLARY PEN AND SYPHONSAC</p> </div>				



Model	OEM Part	Our Equivalent	Pk	BAILEY
6250M	LA244371	1MX171-G	1	
	LA244372	1MX172-R	1	
	LA244373	1MX173-B	1	
	LA244374	1MX174-N	1	
	LA244770	1MT91A-V	1	



CROWN GRAPHIC

MARKING SYSTEMS CATALOGUE

JANUARY 2008

PAGE B03.01

Model	OEM Part	Our Equivalent	Pk	BARBER & COLMAN
SERIES K4M		1MT130-R	3	
		1MT132-G	3	
		1MT133-G	3	
		1MT134-V	3	

GRAPHIC CONTROLS LTD, ST PETERS QUAY, TOTNES, DEVON, TQ9 5XH, UK

TEL : +44 (0)1803 860100 FAX : +44 (0)1803 863838 EMAIL : sales@crowng.com WEB : <http://www.crowng.com>

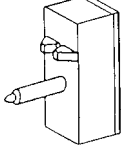



CROWN GRAPHIC

MARKING SYSTEMS CATALOGUE

JANUARY 2008

PAGE B04.01

Model	OEM Part	Our Equivalent	Pk	BARBY & KUHNER
		1SD32-B01 1SD32-R01 1SD32-V01	6 6 6	
		2N100-B 2N100-G 2N100-N 2N100-R 2N100-V	4 4 4 4 4	

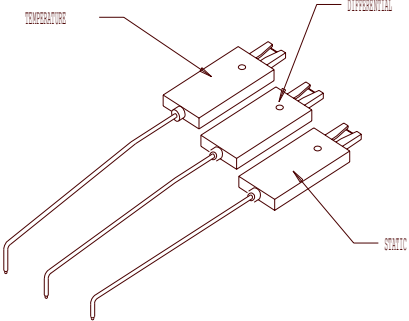


Model	OEM Part	Our Equivalent	Pk	BARTON
<p>12" CIRCLE CHART RECORDERS CAN BE ADAPTED TO USE OUR 1UD24 PEN SERIES WITH THE FOLLOWING ARMS.</p>				
	0230022-25B 02380088C 02380010B 02380011B	9KUD1926	1	
	00140014T 00150015T 04266017-19	9KUD1927	1	
<p>MODEL 202 USES ONE OF EACH 9KUD1926 & 9KUD1927. MODEL 202A USES TWO OF 9KUD1927. WHERE A DEEPER "U" SLOT IS REQUIRED REPLACE 9KUD1926 WITH 9KUD1927.</p>				
202, 202A	0014.0001T 0014.0002T 0014.0003T 0014.0004T		1 1 1 1	
<p>THE ABOVE BUCKET PENS CAN BE REPLACED BY OUR 1UD22 PEN SERIES WHICH FIT DIRECTLY ONTO THE ORIGINAL ARM.</p>				
	0014.0001T 0014.0002T 0014.0003T 0014.0004T		6 6 6 6	

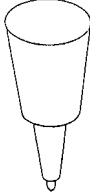
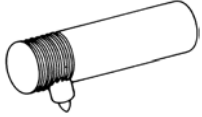
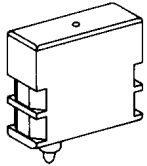


Model	OEM Part	Our Equivalent	Pk	BARTON
	0014.1001T	1UD241-B	6	
	0014.1002T	1UD242-R	6	
	0014.1003T	1UD243-G	6	
	0014.1004T	1UD244-V	6	
<p>NOTE : BARTON'S #'S (ABOVE) USED ONLY BY BARTON CALIFORNIA.</p>				
	0014.1004.T	1UD17213-B	6	
	0014.1004.T	1UD17213-N	6	
	0014.1006.T	1UD18537-R	6	
	0014.1008.T	1UD18800-G	6	
<p>NOTE : BARTON'S #'S (ABOVE) USED ONLY BY BARTON FACTORY.</p>				
	BUK10100	1UD241-R	6	
	BUK10101	1UD242-B	6	
	BUK10102	1UD243-G	6	
	BUK10103	1UD244-V	6	



Model	OEM Part	Our Equivalent	Pk	BARTON
12" CIRCLE CHART RECORDERS WITH AUTOMATIC CHART CHANGES		1MX051-N 1MX051-B 1MX052-R 1MX053-G	3 3 3 3	
<div style="border: 1px solid black; padding: 10px; width: fit-content; margin: 0 auto;"><p>FOR GAS APPLICATIONS REFER TO UNIVERSAL GAS MEASUREMENT SECTION IN FRONT OF CATALOGUE.</p></div>				



Model	OEM Part	Our Equivalent	Pk	BECKMAN
IR-SPECTRAL-PHOTOMETERS SERIES 4200. ACCULAB SERIES, ACTA M SERIES, MODEL 24, 25, 26. AUTO-PRO 3500. 10" RECORDER, UV-SPECTRAL-PHOTOMETER SERIES 5200, MODEL 34, 35 10" RECORDER.	568 415 915.894	1CY2-R	5	
	568 416 917.286	1CY2-B	5	
	568 417 917.287	1CY2-N	5	
	568 418 917.285	1CY2-G	5	
73-520-00-00 ONE & TWO PEN MODELS (WITHOUT EVENT PEN).	73-525-00-00	1CY51-N	4	
	73-525-01-00	1CY51-R	4	
	73-525-02-00	1CY51-G	4	
	73-525-03-00	1CY51-B	4	
	73-525-06-00	1CY51FL-R	4	
	73-525-07-00	1CY51FL-N	4	
	73-525-08-00	1CY51FL-G	4	
	73-525-09-00	1CY51FL-B	4	
212, 915-A	860948	1PB3-R03	5	
		1FD27-B 1FD27-G 1FD27-N 1FD27-R	6 6 6 6	

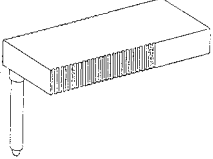
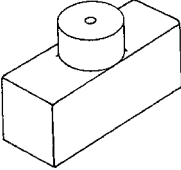


CROWN GRAPHIC

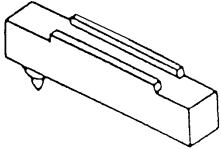
MARKING SYSTEMS CATALOGUE

JANUARY 2008

PAGE B06.02

Model	OEM Part	Our Equivalent	Pk	BECKMAN
	674030	1FD29L21-R	5	
		2S411-B 2S411-G 2S411-N 2S411-R 2S411-V	4 4 4 4 4	



Model	OEM Part	Our Equivalent	Pk	BELFORT
DRUM RECORDERS	17477	1SD23-V	4	

OUR 1SD23 PEN CAN BE USED AS A DIRECT REPLACEMENT FOR THE ORIGINAL METAL PEN (BELFORT REFERENCE 3LS V PEN). THEY ARE ALSO AVAILABLE IN OTHER COLOURS B,G,N,R.

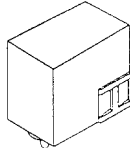

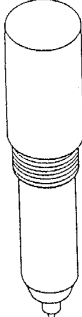


CROWN GRAPHIC

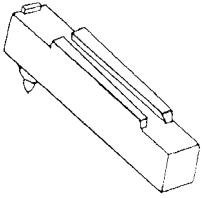
MARKING SYSTEMS CATALOGUE

JANUARY 2008

PAGE B08.01

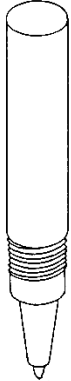
Model	OEM Part	Our Equivalent	Pk	BENDER & HOLBEIN
INTERGRAPH		1SD4-N	10	
ELPHORGRAPH, ELPHORMAT.	10001	1CY8-N 1CY8-R	6 6	
ELPHORGRAPH 3, ELPHORMAT 3.	30001	1CY12-N	6	
ELPHORGRAPH 5, ELPHORMAT 4.	40051 40052	1CY12RB-N 1CY12RB-R	6 6	



Model	OEM Part	Our Equivalent	Pk	BENDIX
	1BTV	1SD7-R 1SD7-V	3 3	

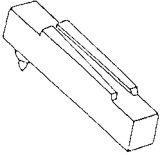
OUR 1SD7 SERIES PENS CAN BE USED AS A DIRECT REPLACEMENT FOR THE ORIGINAL METAL 'V' PEN QUOTED ABOVE WHICH WE CANNOT SUPPLY.



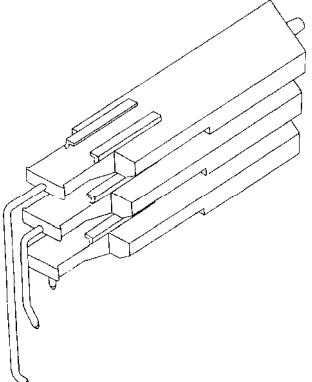
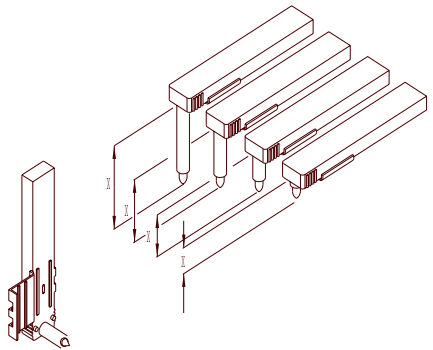
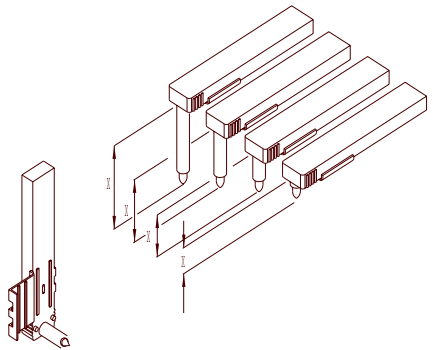
Model	OEM Part	Our Equivalent	Pk	BENSON
SERIES 100 & 200		1CY1-#01 1CY1FL-#01 1CY1P3-#01 1CY1P5-#01 1CY1P7-#01	3 3 3 3 3	

AVAILABLE IN A VARIETY OF COLOURS,
B,G,M,N,O,R OR V.



Model	OEM Part	Our Equivalent	Pk	BERRUET
		1SD10-B 1SD10-G 1SD10-M 1SD10-N 1SD10-R 1SD10-V	4 4 4 4 4 4	



Model	OEM Part	Our Equivalent	Pk	B.I.F. (BASIC IN FLOW)
233, 257 SERIES	222131-2 222121-5 222131-1 222131-4 222131-3 222131-6	1MT403-B 1MT402-R05 1MT401-G	3 3 3	
<p>OUR 1UD24 SERIES PENS CAN BE USED ON B.I.F. CIRCLE CHART RECORDERS FITTED WITH FTD HOLDERS.</p>				
233-31, 233-32, 232, 235, 259, 301, 302, 303, 304, 305, 306.	227140-1 227140-3 227140-4 227140-5 227140-6 227140-7	1UD241-R 1UD242-G 1UD242-R 1UD243-B 1UD244-G 1UD243-R	6 6 6 6 6 6	

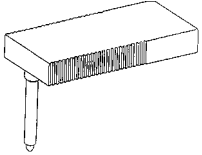


CROWN GRAPHIC

MARKING SYSTEMS CATALOGUE

JANUARY 2008

PAGE B13.01

Model	OEM Part	Our Equivalent	Pk	B.I.F. SANITROL
	1742-48	1FD29C03-N 1FD29C03-R 1FD29C03-B 1FD29C03-G 1FD29C03-V	5 5 5 5 5	

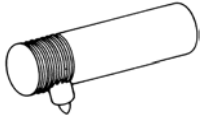


CROWN GRAPHIC

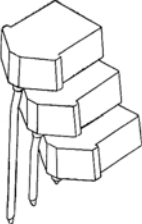
MARKING SYSTEMS CATALOGUE

JANUARY 2008

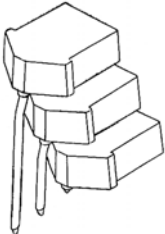
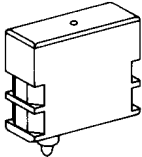
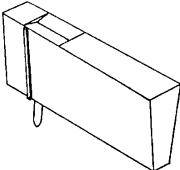
PAGE B14.01

Model	OEM Part	Our Equivalent	Pk	BIO OPTRONICS
	816-00101-1 816-00101-2	1PB3-R03 1PB3-N03	5 5	


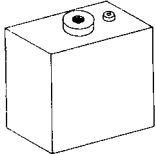


Model	OEM Part	Our Equivalent	Pk	BIO-RAD
		1MT081-#	1	
		1MT082-#	1	
		1MT083-#	1	
<p>AVAILABLE IN A VARIETY OF COLOURS, EITHER B,G,N,R OR V.</p>				



Model	OEM Part	Our Equivalent	Pk	BIOTRONIK		
		1MT081-# 1MT082-# 1MT083-#	1 1 1			
<p>AVAILABLE IN A VARIETY OF COLOURS, EITHER B,G,N,R OR V.</p>				1FD27-B 1FD27-G 1FD27-N 1FD27-R	6 6 6 6	
		1FD21-A 1FD21-B 1FD21-C 1FD21-G 1FD21-L 1FD21-M 1FD21-N 1FD21-O 1FD21-R 1FD21-V	10 10 10 10 10 10 10 10 10 10			



Model	OEM Part	Our Equivalent	Pk	BOYLE IND.GAUGING
		4N29	1	
		2N500-B 2N500-G 2N500-N 2N500-R 2N500-V	4 4 4 4 4	
		2S301-B 2S301-M 2S301-R	1 1 1	

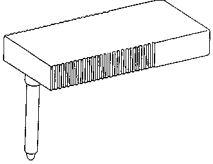
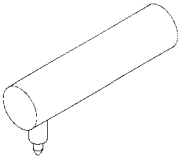


CROWN GRAPHIC

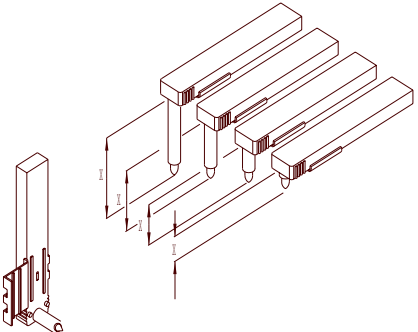
MARKING SYSTEMS CATALOGUE

JANUARY 2008

PAGE B18.01

Model	OEM Part	Our Equivalent	Pk	BRABENDER
	01-00-285 01-00-286	1FD29C13-R 1FD29C13-B	5 5	
MEHLSHREIBER, PLASTOGRAPH, PLASTI-CORDER		1PB7-B03 1PB7-N03 1PB7-R03	6 6 6	



Model	OEM Part	Our Equivalent	Pk	BRAINARD
<p>AS 710</p> <div data-bbox="228 457 857 583" style="border: 1px solid black; padding: 5px; margin: 10px 0;"> <p>OUR PEN ARM 9KUD1928 REPLACES 67R-8" AND PERMITS OUR 1UD24 PEN SERIES TO BE USED ON AS 710'S RECORDERS</p> </div> <div data-bbox="245 850 769 976" style="border: 1px solid black; padding: 5px; margin: 10px 0;"> <p>PENS ARE AVAILABLE IN A VARIETY OF COLOURS, EITHER B,G,N,R OR V.</p> </div>		<p>1UD241-#</p> <p>1UD242-#</p> <p>1UD243-#</p> <p>1UD244-#</p>	<p>6</p> <p>6</p> <p>6</p> <p>6</p>	



Model	OEM Part	Our Equivalent	Pk	BRISTOL
	284348007 (FA) 284349003 (FB)	9BR16 9BR17	1 1	
<p>NOTE : BOTH THE ABOVE ARE DIRECT REPLACEMENTS OF EXISTING PEN ARMS HAVING A 'V' SLOT AT ONE END, AND ACCEPT 1UD21'S OR METAL BUCKET PENS. ALL LENGTHS AVAILABLE.</p>				
CIRCLE CHART	232914.00.1 232915.00.8 232916.00.4 228577.00.4	9BR01 9BR02 9BR03 9BR04	1 1 1 1	
<p>CIRCLE CHART RECORDERS USE OUR 1UD21 SERIES PENS WHICH CAN BE FITTED DIRECTLY TO THE EXISTING ARMS. THESE ARE ALSO SUPPLIED BY BRISTOL FOR THESE RECORDERS. FOR LONGER LINE LENGTHS USE THE 1UD24 PEN SERIES WITH CONVERSION ARM(S) LISTED ON PAGE, B20.02, B20.03 & B20.04 (THE DIMENSION IN BRACKETS AFTER THE REFERENCE OF OUR EQUIVALENT ARM IS THE LENGTH FROM THE REAR END OF THE PEN ARM TO THE NIB POINT OF THE PEN IN INCHES.</p>				
No.2	375985-02-6	1UD212-B	6	
No.1	375985-05-0	1UD211-B	6	
No.3	375985-03-4	1UD213-G	6	
No.2	375985-04-2	1UD212-R	6	
No.3	375985-06-9	1UD213-B	6	
No.4 (LONGEST)	N/A	1UD214-#	6	



Model	OEM Part	Our Equivalent	Pk	BRISTOL
No.1 (SHORTEST)	375985-01-8	1UD241-R	6	
No.2	375985-02-6	1UD242-B	6	
No.1	375985-05-0	1UD241-B	6	
No.3	375985-03-4	1UD243-G	6	
No.2	375985-04-2	1UD242-R	6	
No.3	375985-06-9	1UD243-B	6	
No.4 (LONGEST)	N/A	1UD244-#	6	
8" MODELS	249704005 (CG)	9KUD1940 (3.468")	1	
	249705001 (CH) 289846005 (GF)	9KUD1941 (3.578")	1	
	N/A	9KUD1952 (4.160")	1	
	308885007	9KUD1943 (4.503")	1	
	249707004 (DC)	9KUD1944 (4.575")	1	
	283724005 (GC)	9KUD1924	1	
	283725001 (GA) 289847001 (GG) 293024006 294073000 (CJ)	9KUD1944 (4.575")	1	
	294073000 (DJ)	9KUD1947 (4.885")	1	
	308886003 (KH) 289847001 (GG)	9KUD1948 (5.013")	1	
	283727004 (GB)			
	292494009 (GH)			



Model	OEM Part	Our Equivalent	Pk	BRISTOL
12" MODELS	249707004 (DC)	9KUD1944 (4.575")	1	
	290086000 (GE) 306270005 (GL) 308882008 (KJ)	9KUD1949 (5.264")	1	
	N/A	9KUD1950 (6.808")	1	
	248351008 (FD) 293188009 (FJ) 332726002 (KN)	9KUD1951 (7.223")	1	
	283728000 (FE) 284348007 (FA) 290650003 (FH) 312057008 (FP) 332403009 (KK)	9KUD1924 (7.638")	1	
	284349003 (FB) 290651000 (FG) 293189005 (FK) 294014004 (FL) 312058004 (FR) 332497003 (KL) 333409000 (KP) 382653017 (KR)	9KUD1923 (8.053")	1	
	284350001 (FC) 332498000 (KM)	9KUD1922 (8.468")	1	



Model	OEM Part	Our Equivalent	Pk	BRISTOL
FOR REFERENCING FROM THE MODEL NUMBERS BELOW THE CHANNEL NUMBERS ARE COUNTED 1= SHORTEST, LOWER PEN, 2= NEXT LONGEST ABOVE ETC.				
8" MODELS				
530	CHANNEL 1	9KUD1943	1	
	CHANNEL 2	9KUD1946	1	
532	CHANNEL 1	9KUD1949	1	
	CHANNEL 2	9KUD1946	1	
565, 575.	CHANNEL 1	9KUD1944	1	
ITIOT169	CHANNEL 1	9KUD1940	1	
	CHANNEL 2	9KUD1948	1	
680, 682, 685.	CHANNEL 1	9KUD1944	1	
	CHANNEL 2	9KUD1948	1	
4069 TH	CHANNEL 1	9KUD1940	1	
	CHANNEL 2	9KUD1941	1	
12" MODELS				
500, 501, 681, 683, 4331.	CHANNEL 1	9KUD1924	1	
	CHANNEL 2	9KUD1923	1	
	CHANNEL 3	9KUD1922	1	
	CHANNEL 4	9KUD1951	1	
540 AMMETER & VOLTMETER.	CHANNEL 1	9KUD1949	1	
	CHANNEL 2	9KUD1949	1	
	CHANNEL 3	9KUD1949	1	
560, 570, 590.	CHANNEL 1	9KUD1944	1	
FOR AN OPTIONAL 4000FT LINE LENGTH ON THE 500 MODEL USE THE 1MT61 & 9K61 SERIES. PLEASE CALL FOR MORE INFO.				

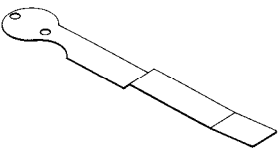
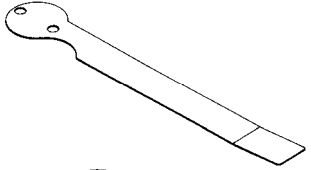
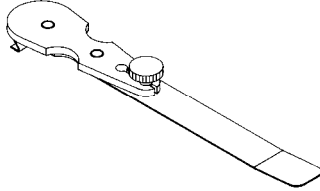
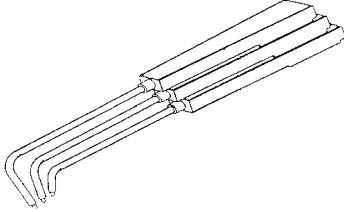


Model	OEM Part	Our Equivalent	Pk	BRISTOL
4392	LA203291	1UD231-B	2	
	LA203292	1UD232-R	2	
	LA203293	1UD233-G	2	
	LA203294	1UD234-N	2	
METATRONIC 2000	374232016	2R310-R	4	
	374232024	2R310-B	4	
	374232032	2R310-G	4	
	374232040	2R310-N	4	
550	385691-01-7	1SD3103-R	6	
	385691-02-5	1SD3006-B	6	
	383774-01-2	1SD3102-B	6	
	383774-02-0	1SD3102-R	6	
570, 590.	383780-01-2	1SD3101-B	6	
	383780-02-0	1SD3002-R	6	
	383780-03-9	1SD3101-R	6	
	383780-0X-0	1SD3101-G	6	





Model	OEM Part	Our Equivalent	Pk	BRISTOL
FIBRE TIP PEN KIT				
	BA0362-1FT	9BR08 1 PEN	1	
	BA0363-2FT	9BR09 2 PEN	2	
	BA0364-3FT	9BR10 3 PEN	3	
	BA0365-4FT	9BR11 4 PEN	4	
STAINLESS STEEL PEN KIT				
	BA0262-SS1	9BR12 1 PEN	1	
	BA0363-SS2	9BR13 2 PEN	2	
	BA0364-SS3	9BR14 3 PEN	3	
	BA0365-SS4	9BR15 4 PEN	4	
<p>NB. THESE KITS REPLACE BUCKET PENS WITH A CAPILLARY PEN SYSTEM INCORPORATING OUR 4N38 TIP AND 2N500 INK CARTRIDGE. EACH KIT CONTAINS THE NECESSARY NUMBER OF PENS ETC FOR THE SPECIFIED NUMBER OF CHANNELS.</p>				

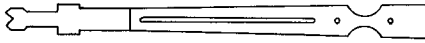
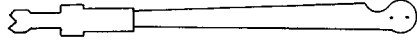

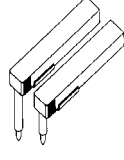
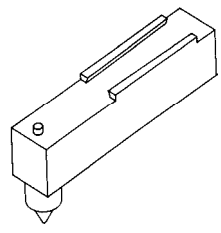


Model	OEM Part	Our Equivalent	Pk	BRITISH ROTOTHERM
CIRVULAR CHART RECORDER DINZONE & TENZOR	23988-11 55425 CL	1UD731-B	3	   
		9K736	1	
	23989-11 55424 CU	1UD732-R	3	
		9K737	1	
DIGITAL RECORDER SERIES 33.	23988-11 55423 RL	1UD731-B	3	
		9K734	1	
	23989-11 55422 RU	1UD732-R	3	
		9K735	1	
	28676-11	1UD731-R	3	
	28677-11	1UD732-B	3	
	27029-11	1UD733-G	3	
		9K735	1	
THERMOGRAPHS BAROGRAPHS HYDROGRAPHS	M146/1	9R005	1	
	M146/2	9R006	1	
	M146/3	9R007	1	
OLD METAL CAPILLARY PENS FOR FOSTER CAMBRIDGE NOW SOLD BY BRITISH ROTOTHERM.	P101L-0043	9A016	1	
	P102L-0048	9A017	1	
	P103L-0576T	9A018	1	
	B/SK5572	9A01802	1	



Model	OEM Part	Our Equivalent	Pk	BRITISH ROTOTHERM
RECORDERS (1 & 2 PEN).	2-55422 18783-54	9R001 (UPPER PEN KIT)	1	 
RECORDERS (2 PEN).	2-55423 18787-54	9R002 (LOWER PEN KIT)	1	
RECORDERS / CONTROLLERS (1 & 2 PEN).	2-55424 18784-54	9R003 (UPPER PEN KIT)	1	
RECORDERS / CONTROLLERS (2 PEN).	2-55425 18785-54	9R004 (LOWER PEN KIT)	1	
RECORDERS, COTROLLER / RECORDERS.	2-55426 16857-02	4N-2-250-46NZ	1	
	2-55427	2N500-R	4	
	2-55428	2N500-V	4	
	N/A	2N500-B	4	
	N/A	2N500-G	4	
	09286-01	7RB (PRIMING BULB).	1	
<p>THE ABOVE METAL CAPILLARY PEN KITS CAN BE CONVERTED TO USE OUR 1UD24 DISPOSABLE PENS BY REPLACING THE EXISTING PEN ARM WITH THE APPROPRIATE CONVERSION ARM. THESE ARMS ARE LISTED ON PAGE B21.03 AGAINST THE ORIGINAL CAPILLARY PEN KIT PART NUMBERS WHICH THEY REPLACE.</p>				



Model	OEM Part	Our Equivalent	Pk	BRITISH ROTOTHERM
RECORDERS (1 & 2 PEN).	2-55422 23597-01	9KUD191	1	
RECORDERS (2 PEN).	2-55423 23598-01	9KUD192	1	
RECORDERS / CONTROLLERS (1 & 2 PEN).	2-55424	9KUD193	1	
RECORDERS / CONTROLLERS (2 PEN).	2-55425	9KUD194	1	
	FOR 9KUD191 AND 9KUD193.	1UD243-R	6	
	FOR 9KUD192.	1UD242-B	6	
	FOR 9KUD192 ALTERNATIVE COLOUR.	1UD242-V	6	
	FOR 9KUD194.	1UD242-R	6	
1UD24 PENS ARE ALSO AVAILABLE WITH THESE NIB LENGTHS IN GREEN & BLACK.				
	27 044-11	1SD91-N	2	



CROWN GRAPHIC

MARKING SYSTEMS CATALOGUE

JANUARY 2008

PAGE B22.01

Model	OEM Part	Our Equivalent	Pk	BROWN (S.G.)
COURSE RECORDER.	23027 R.H. PEN	9SGB01	1	
	23028 L.H. PEN	9SGB02	1	

GRAPHIC CONTROLS LTD, ST PETERS QUAY, TOTNES, DEVON, TQ9 5XH, UK

TEL : +44 (0)1803 860100 FAX : +44 (0)1803 863838 EMAIL : sales@crowng.com WEB : http://www.crowng.com

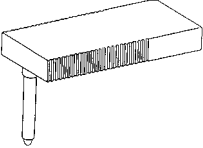


CROWN GRAPHIC

MARKING SYSTEMS CATALOGUE

JANUARY 2008

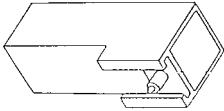
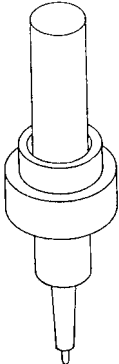
PAGE B23.01

Model	OEM Part	Our Equivalent	Pk	BROWNE
	104 105	1FD29C13-R 1FD29C13-B	5 5	

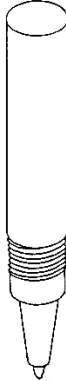
GRAPHIC CONTROLS LTD, ST PETERS QUAY, TOTNES, DEVON, TQ9 5XH, UK

TEL : +44 (0)1803 860100 FAX : +44 (0)1803 863838 EMAIL : sales@crowng.com WEB : http://www.crowng.com

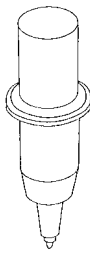



Model	OEM Part	Our Equivalent	Pk	BRUEL & KJAER
1800 AUDIOSCRIBE, 2118 AUDIO TEST STATION, 2116, 2305, 2306, 2307, 2308 & 2309.	QI0004 QI0005 QI0006 QI0010 QI0011 QI0003	1SD34-N 1SD34-R 1SD34-G 1SD34-M 1SD34-B 1SD34-MIX01 (2 x N, 1 x R,G,B&M)	6 6 6 6 6 6	
2319 <div data-bbox="207 968 873 1094" style="border: 1px solid black; padding: 5px; text-align: center;"> AVAILABLE IN EITHER P3, P5, P7 AND RB. THE COLOURS AVAILABLE ARE EITHER A,B,C,G,M,N,O,R,V & Y. </div>	QI0013 QI0014 QI0015	1CY10 1CY10P#-N 1CY10P3MIX31 1CY10P7MIX31 MIX31 = 1x RGBVMC.	6 6 6	



Model	OEM Part	Our Equivalent	Pk	BRUKER PHYSIK
<p>X-Y RECORDER MODELS B-R70, BR71, 1FS110, SWL100, W-P60.</p>		1CY1-#01	3	
		1CY1FL-#01	3	
		1CY1P3-#01	3	
		1CY1P5-#01	3	
		1CY1P7-#01	3	
<p>AVAILABLE IN A VARIETY OF COLOURS, B,G,M,N,O,R OR V.</p>				



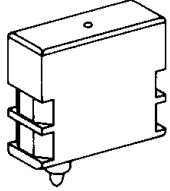
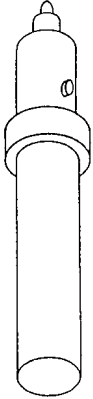
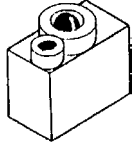
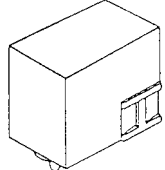
Model	OEM Part	Our Equivalent	Pk	BRUNING
ZETA SPRINT		1CY20P3-# 1CY20P5-# 1CY20P7-# 1CY20RB-#	5 5 5 5	
<div style="border: 1px solid black; padding: 5px; width: fit-content; margin: auto;"> <p>THESE PENS ARE AVAILABLE IN ANY OF THE FOLLOWING COLOURS R,B,G,N,V,M,O,A,Y,C, OR MIXES OF THEM.</p> </div>				
SERIES 1400, 1453B, 1453SX, 3600SX, 3653SX.	300-751P 300-752P 300-753P 300-754P 300-755P 300-756P 300-757P 300-758P 300-759P 300-760P 300-721 300-722 300-723 300-724 300-725 300-726 300-727 300-728 300-729 300-730	1CY25P3-N 1CY25P3-B 1CY25P3-R 1CY25P3-G 1CY25P3-M 1CY25P3-Y 1CY25P3-V 1CY25P3-O 1CY25P3-C 1CY25P3-A 1CY25RB-N 1CY25RB-B 1CY25RB-R 1CY25RB-G 1CY25RB-M 1CY25RB-Y 1CY25RB-V 1CY25RB-O 1CY25RB-C 1CY25RB-A	6 6 6 6 6 6 6 6 6 6 6 6 6 6 6 6 6 6 6 6	
<div style="border: 1px solid black; padding: 5px; width: fit-content; margin: auto;"> <p>1CY25P5 AND 1CY25P7'S ARE ALSO AVAILABLE. FOR COLOURS REFER TO 1CY25RB LIST ABOVE.</p> </div>				



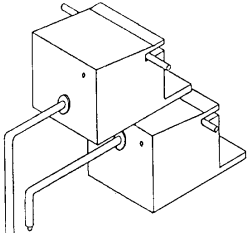
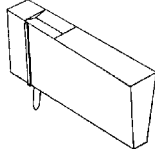


Model	OEM Part	Our Equivalent	Pk	BRUNING
3610, 3620, 5400, ZETA -8, -822, -824, -824CS, -836, -836CS, -887 -912, -912PS, -924, -924PS, -936, -936PS.	300-401	1CY24P3-N	6	
	300-402	1CY24P3-B	6	
	300-403	1CY24P3-R	6	
	300-404	1CY24P3-G	6	
	300-405	1CY24P3-M	6	
	300-406	1CY24P3-Y	6	
	300-407	1CY24P3-V	6	
	300-408	1CY24P3-O	6	
	300-409	1CY24P3-C	6	
	300-410	1CY24P3-A	6	
	300-399	1CY24P3MIX03 1xNRBGMVOY	8	
	300-831	1CY24RB-N	6	
	300-832	1CY24RB-B	6	
	300-833	1CY24RB-R	6	
	300-834	1CY24RB-G	6	
	300-835	1CY24RB-M	6	
	300-836	1CY24RB-Y	6	
	300-837	1CY24RB-V	6	
	300-838	1CY24RB-O	6	
	300-839	1CY24RB-C	6	
	300-840	1CY24RB-A	6	
	300-829	1CY24RBMIX03 1xNRBGMVOY	8	

1CY24P5 AND 1CY24P7'S ARE ALSO AVAILABLE. FOR COLOURS REFER TO 1CY24RB LIST ABOVE.

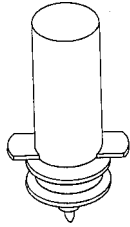


Model	OEM Part	Our Equivalent	Pk	BRYANS INSTRUMENTS
BS600 & BS900	BS0100 BS0101 BS0102 BS0103 BS0120 BS0121	1FD27-N 1FD27-B 1FD27-R 1FD27-G 1FD27-M 1FD27-V	6 6 6 6 6 6	
BS8000 ANALOGUE SIGNAL PROCESSOR.	BS8000/30006 BS 8110-103 BS8000/30007 BS 8000-104	1CY14-B 1CY14-R 1CY14-G 1CY14-M 1CY14-N 1CY14-O 1CY14-V 1CY14-Y	5 5 5 5 5 5 5	
28000 SERIES	28000/27 28001/27 28050/27 28051/27 28000/45 28000/46 28000/47	9GB01 9GB02 9GB03 9GB04 2S101-R 2S101-G 2S101-V	1 1 1 1 4 4 4	 2S101
HR2000 SERIES XY RECORDERS.	<div style="border: 1px solid black; padding: 5px; display: inline-block;"> COLOURS AVAILABLE ARE EITHER B,G,N,R OR V. </div>		10	



Model	OEM Part	Our Equivalent	Pk	BRYANS INSTRUMENTS
1 & 2 PEN 28000 RECORDERS.	28000/52	1MT07-R	1	
TRANSCRIBE 10" TRANSIENT RECORDER.	28000/53 28000/55	1MT07-N 1MT07-G	1 1	
SHORT PEN FOR 2 PEN 28000.	28050/52 28050/53 28050/55	1MT06-R 1MT06-G 1MT06-G	1 1 1	
BS300 SERIES.	869-016-0025 869-016-0026 869-016-0027 869-016-0028 869-016-0029 869-016-0030	1FD21-N 1FD21-B 1FD21-R 1FD21-G 1FD21-M 1FD21-V	10 10 10 10 10 10	
26000 SERIES 2 ND PEN.	869-011-0013 869-011-0014 869-011-0015 869-011-0016	1CY16-B 1CY16-R 1CY16-N 1CY16-G	5 5 5 5	
XY-T, 60010, 60011, 60110, 60000.	869-011-0021 869-011-0020 869-011-0022 869-011-0023 869-011-0024	1CY4-N 1CY4-R 1CY4-B 1CY4-G 1CY4-V	5 5 5 5 5	



Model	OEM Part	Our Equivalent	Pk	BRYANS INSTRUMENTS	
6410 (A3), 6310(DS7), 6320 (DS10), DIGITAL PLOTTERS 83, 84.	0630000200	1CY17P3-N	5		
	0630000201	1CY17P3-M	5		
	0630000202	1CY17P3-R	5		
	0630000203	1CY17P3-O	5		
	0630000304	1CY17P3-Y	5		
	0630000205	1CY17P3-G	5		
	0630000206	1CY17P3-B	5		
	0630000207	1CY17P3-V	5		
	0630000208	1CY17P3-A	5		
	0630000209	1CY17P3-C	5		
	0630000210	1CY17P3MIX08 (1 x R,N,B,G,C)	5		
			1CY17P5-# (FOR COLOURS SEE P3 COLUMN)		5
		0630000220	1CY17P7-N		5
		0630000221	1CY17P7-M		5
		0630000222	1CY17P7-R		5
		0630000223	1CY17P7-O		5
		0630000224	1CY17P7-Y		5
		0630000225	1CY17P7-G		5
		0630000226	1CY17P7-B		5
		0630000227	1CY17P7-V		5
		0630000228	1CY17P7-A		5
		0630000229	1CY17P7-C		5
		0630000713	1CY17P7MIX08 (1 x R,N,B,G,C)		5
		0630000240	1CY17RB-N		5
		0630000241	1CY17RB-M		5
		0630000242	1CY17RB-R		5
		0630000243	1CY17RB-O		5
		0630000244	1CY17RB-Y		5
		0630000245	1CY17RB-G		5
		0630000246	1CY17RB-B		5
		0630000247	1CY17RB-V		5
		0630000248	1CY17RB-A		5
	0630000249	1CY17RB-C	5		
	0630000711	1CY17RBMIX07 (1 x R,N,B,G,V)	5		
	0630000300	1CY17-MIX09 (1 x P7-R, RB- O, RB-N, P3-V, P3-M)	5		


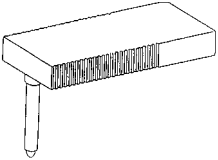


CROWN GRAPHIC

MARKING SYSTEMS CATALOGUE

JANUARY 2008

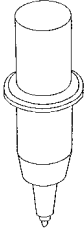


PAGE B27.04

Model	OEM Part	Our Equivalent	Pk	BRYANS INSTRUMENTS		
6120 DIGITAL RECORDER.	0610000240	1CY22RB-N	7			
	0610000241	1CY22RB-M	7			
	0610000242	1CY22RB-R	7			
	0610000243	1CY22RB-O	7			
	0610000245	1CY22RB-G	7			
	0610000246	1CY22RB-B	7			
	0610000247	1CY22RB-V	7			
	0610000751	1CY22RBMIX	7			
	0610000250	1CY22P5-N	7			
	0610000251	1CY22P5-M	7			
	0610000252	1CY22P5-R	7			
	0610000253	1CY22P5-O	7			
	0610000255	1CY22P5-G	7			
	0610000256	1CY22P5-B	7			
	0610000257	1CY22P5-V	7			
	0610000211	1CY22P5MIX	7			
	BS270 SERIES	869-011-0025	1FD29C09-R		5	
		869-011-0026	1FD29C26-G		5	
BS125 & BS250	869-016-0031 FS-30	1FD29C09-N	5			
	869-016-0032 FS-32	1FD29C09-R	5			
BS250 (2 ND PEN)	869-016-0033 FML35	1FD29C26-G	5			
	FML-36	1FD29C26-B	5			
BS250 (3 RD PEN)	869-016-0034 FXL-37	1FD29C38-B	5			

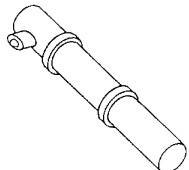
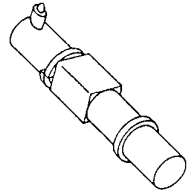
GRAPHIC CONTROLS LTD, ST PETERS QUAY, TOTNES, DEVON, TQ9 5XH, UK

TEL : +44 (0)1803 860100 FAX : +44 (0)1803 863838 EMAIL : sales@crowng.com WEB : http://www.crowng.com

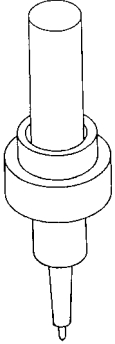


Model	OEM Part	Our Equivalent	Pk	BRYANS INSTRUMENTS		
80, 81, 6600, 6710, 6780, 6810, 6880.	869-112-0000	1CY20P3-N	5			
	869-112-0002	1CY20P3-R	5			
	869-112-0005	1CY20P3-G	5			
	869-112-0006	1CY20P3-B	5			
	869-112-0010	1CY20P3MIX01 (1 x R,B,G,N)	4			
	869-113-0000	1CY20P7-N	5			
	869-113-0002	1CY20P7-R	5			
	869-113-0005	1CY20P7-G	5			
	869-113-0006	1CY20P7-B	5			
	869-113-0010	1CY20P7MIX01 (1 x R,B,G,N)	4			
	869-109-0000	1CY20RB-N	5			
	869-109-0002	1CY20RB-R	5			
	869-109-0005	1CY20RB-G	5			
	869-109-0006	1CY20RB-B	5			
	869-109-0010	1CY20RBMIX01 (1 x R,B,G,N)	4			
	21000, 26000, 27000, 28000 (WITH ADAPTERS SUPPLIED BY BRYANS).	869-011-0010	1CY1-B01		3	
		869-011-0018	1CY1-R01		3	
		869-011-0019	1CY1-G01		3	
SRL		1CY5-#	4			
COLOURS AVAILABLE B,G,N OR R.						



Model	OEM Part	Our Equivalent	Pk	BURGER
		1PB4-B 1PB4-G 1PB4-N 1PB4-R 1PB420MM-B 1PB420MM-G 1PB420MM-N 1PB420MM-R	6 6 6 6 6 6 6 6	
		1PB8-B 1PB8-N 1PB8-R 1PB8-V	6 6 6 6	



Model	OEM Part	Our Equivalent	Pk	CALCOMP
81, M85, M84.	BC FP-1 BC FPF-1 NDT-1	1CY10P3-G	10	
	BC FP-2 BC FPF-2 NDT-2	1CY10P3-R	5	
	BC FP-3 BC FPF-3 NDT-3	1CY10P3-B	5	
	BC FP-4 BC FPF-4 NDT-4	1CY10P3-N	5	
	BC FP-5 BC FPF-5 NDT-5	1CY10P3-M	5	
	BC FP-6 BC FPF-6	1CY10P3-Y	5	
	BC FP-7 BC FPF-7 NDT-14	1CY10P3-A	5	
	BC FP-8 BC FPF-8 NDT-7	1CY10P3-V	5	
	BC FP-9 BC FPF-9 NDT-6	1CY10P3-O	5	
	BC FP-10 BC FPF-10	1CY10P3-C	5	
<p>WE CAN ALSO SUPPLY OUR CY10 RANGE IN EITHER P5, P7 OR RB TIP TYPES. FOR COLOURS SEE THE P3 RANGE LISTED ABOVE.</p>				

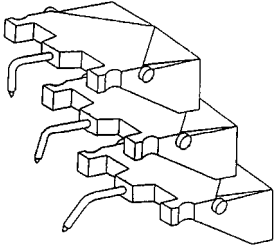
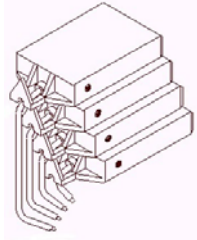
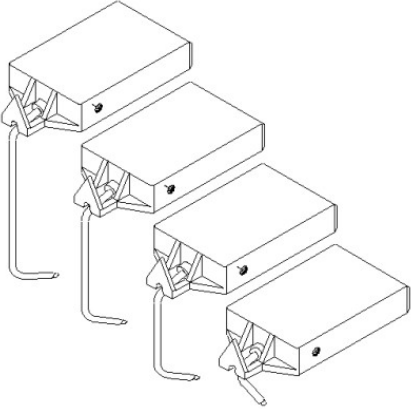


CROWN GRAPHIC

MARKING SYSTEMS CATALOGUE

JANUARY 2008

PAGE C02.01

Model	OEM Part	Our Equivalent	Pk	CAMILLE BAUER
LINAX 5K2, LINAX 7K2, LINAX TU 303, L200.	851411 851403 851396	1MT701-G 1MT702-R 1MT703-B	1 1 1	
LINAX 8K2	897754 897746 897738	1MX271G01 1MX272R01 1MX273B01	1 1 1	
LINAX 4000H, 4000L 4000M	A406D A406C A406A A406B	1MX211-G 1MX212-B 1MX213-R 1MT214-G	1 1 1 1	
1 CHANNEL RECORDER WITH PRINTER	A414G A406E	1MX243-B 1MX21A-V	1 1	
1-2 CHANNEL RECORDER	A414A A414B	1MX241-B 1MX243-R	1 1	
1-2 CHANNEL RECORDER WITH PRINTER	A414E A414F A406E	1MX242-B 1MX244-R 1MX21A-V	1 1 1	
1-3 CHANNEL RECORDER	A414A A414C A414D	1MX241-B 1MX242-R 1MX244-G	1 1 1	

GRAPHIC CONTROLS LTD, ST PETERS QUAY, TOTNES, DEVON, TQ9 5XH, UK

TEL : +44 (0)1803 860100 FAX : +44 (0)1803 863838 EMAIL : sales@crowng.com WEB : http://www.crowng.com

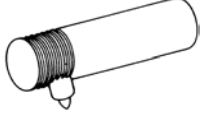
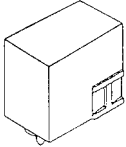


CROWN GRAPHIC

MARKING SYSTEMS CATALOGUE

JANUARY 2008

PAGE C03.01

Model	OEM Part	Our Equivalent	Pk	CARLO ERBA
XL 681/2.		1PB3-B06 1PB3-G06 1PB3-N06 1PB3-R06 1PB3/13.7MM-B 1PB3/13.7MM-G 1PB3/13.7MM-N 1PB3/13.7MM-R	5 5 5 5 5 5 5 5	
		1SD4-B 1SD4-N 1SD4-R 1SD4-V	10 10 10 10	

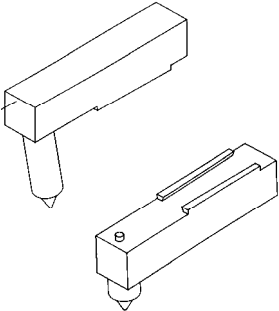
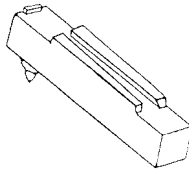


CROWN GRAPHIC

MARKING SYSTEMS CATALOGUE

JANUARY 2008

PAGE C04.01

Model	OEM Part	Our Equivalent	Pk	CASSELLA
BAROGRAPHS- M110002-6, HYDROGRAPHS- M119002-5, THERMOGRAPH- M118002-10, THERMO- HYDROGRAPH M109002-8, M117001.	T6565 M118004	1SD91-N	2	
	T9220 M119003	1SD92-G	2	
	T9428	1SD7-V	3	

GRAPHIC CONTROLS LTD, ST PETERS QUAY, TOTNES, DEVON, TQ9 5XH, UK

TEL : +44 (0)1803 860100 FAX : +44 (0)1803 863838 EMAIL : sales@crowng.com WEB : <http://www.crowng.com>




CROWN GRAPHIC

MARKING SYSTEMS CATALOGUE

JANUARY 2008

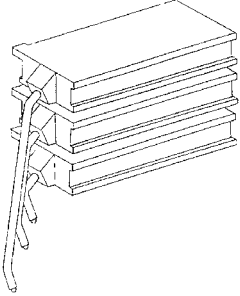
PAGE C05.01

Model	OEM Part	Our Equivalent	Pk	CECIL
CE500 2 ND SERIES CE588, CE590.	5000125	1CY4-N	5	
	5000126	1CY4-R	5	
	5000127	1CY4-B	5	
	5000128	1CY4-G	5	

GRAPHIC CONTROLS LTD, ST PETERS QUAY, TOTNES, DEVON, TQ9 5XH, UK

TEL : +44 (0)1803 860100 FAX : +44 (0)1803 863838 EMAIL : sales@crowng.com WEB : <http://www.crowng.com>



Model	OEM Part	Our Equivalent	Pk	C.G.S.
SPEC 144		1MT291-R 1MT292-B 1MT293-G	1 1 1	
		1SD30-#	6	
		<p>PENS ARE AVAILABLE IN EITHER B,G,N OR R. WE ALSO SUPPLY THE PEN WITH VARIOUS NIB LENGTHS OF EITHER 3.3mm, 3.5mm, 3.8mm, 5mm, 6.35mm, 9.4mm OR 9.6mm.</p>		


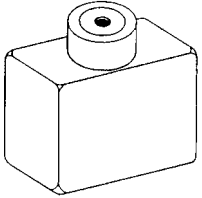

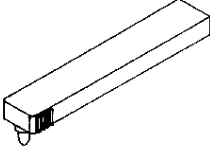
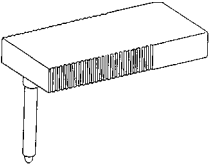
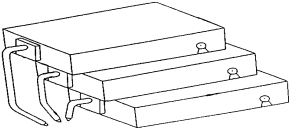


CROWN GRAPHIC

MARKING SYSTEMS CATALOGUE

JANUARY 2008


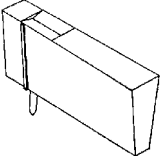
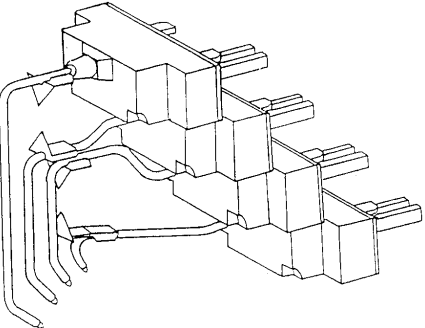
PAGE C07.01

Model	OEM Part	Our Equivalent	Pk	CHAUVIN ARNOUX
CAPILLARY SYSTEMS.		2N300-B	4	 2N300  2S601B
		2N300-G	4	
		2N300-N	4	
		2N300-R	4	
		2N300-V	4	
		2S601B-B	4	
		2S601B-G	4	
		2S601B-N	4	
		2S601B-R	4	
		2S601B-V	4	
DIAMATIC 190D		1UD201-R	6	 
M305 (SINGLE CHANNEL RECORDER).		1FD29C05-B 1FD29C05-G 1FD29C05-N 1FD29C05-R 1FD29C05-V	5 5 5 5 5	
KSQ 700, 701, 702, 703.	P 023 00762 341-A 71373	1MT501-R	1	
	P 023 00763 341-A 71374	1MT502-G	1	
	P 023 00764 341-A 71375	1MT503-B	1	



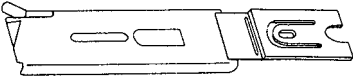
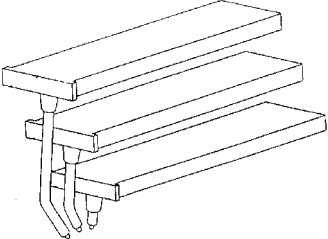
GRAPHIC CONTROLS LTD, ST PETERS QUAY, TOTNES, DEVON, TQ9 5XH, UK

TEL : +44 (0)1803 860100 FAX : +44 (0)1803 863838 EMAIL : sales@crowng.com WEB : http://www.crowng.com



Model	OEM Part	Our Equivalent	Pk	CHAUVIN ARNOUX
IF3802, IF3804.		1CY1FL-#01 1CY1P3-#01 1CY1P5-#01 1CY1P7-#01 1CY1RB-#01	3 3 3 3 3	
<p>WE CAN SUPPLY THE ABOVE PENS IN A VARIETY OF COLOURS, EITHER A,B,C,G,M,N,O,R,V OR Y.</p>				
	526.276.A00 526.276.B00 526.276.C00 526.276.D00	1FD21-N 1FD21-R 1FD21-B 1FD21-G	10 10 10 10	
	P 0160 501 B 73 236 P 0160 502 B 73 237 P 0160 503 B 73 238 P 0160 504 B 73 239	1MT661-R 1MT662-B 1MT663-V 1MT664-G	3 3 3 3	



Model	OEM Part	Our Equivalent	Pk	CHESSELL
301 CAPILLARY SYSTEMS.	BK127743 TUBING	7CSW80	1m	 
	HL101401	4N38 TIP	1	
	JA127744 (SUN017)	7RB PRIMING BULB.	1	
	LA100901	9LA100901	1	
	LA100902	9LA100902	1	
	LA100903	9LA100903	1	
	EG127745 (SUN018)	2N500-R	4	
	EG127746 (SUN019)	2N500-G	4	
	EG127747 (SUN020)	2N500-B	4	
	EG127748 (SUN021)	2N500-N	4	
<p>THE 301 CAPILLARY RECORDER CAN BE CONVERTED TO TAKE OUR 1MT24 PEN SERIES BY USING THE ARMS AND PENS LISTED BELOW. WE CAN ONLY SUPPLY A CARRIAGE WHICH REPLACES THE ORIGINAL ARM BUT USES THE ORIGINAL FITTINGS WHEN CONVERTED. THE ORIGINAL KIT CONSISTS OF A HINGE, WASHER, SCREW AND A PLUG.</p>				
	LA125330 KIT LA124570 PEN ARM	9K241	1	
	LA125331 KIT LA124571 PEN ARM	9K242	1	
	LA125332 KIT LA124572 PEN ARM	9K243	1	
300-D, 305, LC100, LC101.	LA125431 LA125451 LA202387	1MT241-B	3	
301-D, 301-V, 309, 3003D.	LA125431 LA125451 LA202387	1MT241-B	3	
	LA125432 LA125452 LA202389	1MT242-R	3	

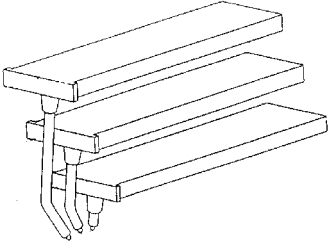
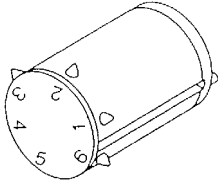
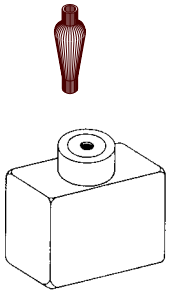


CROWN GRAPHIC

MARKING SYSTEMS CATALOGUE

JANUARY 2008

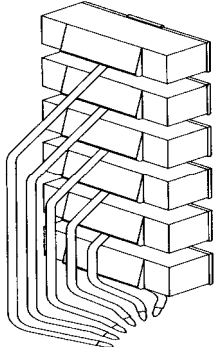
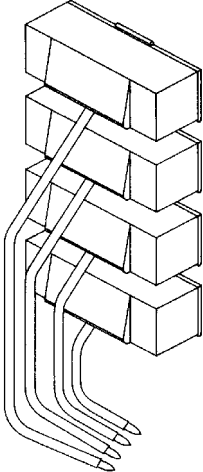
PAGE C08.02

Model	OEM Part	Our Equivalent	Pk	CHESSELL
	LA125433 LA125453 LA202391	1MT243-G	3	
	LA233461 LA126851 LA202390	1MT241-R	3	
	LA126852 LA202388	1MT242-B	3	
	LA233462	1MT242-G	3	
	LA233463	1MT243-B	3	
306, 346.	LA128969	6PW01	1	
320 CAPILLARY SYSTEM.	BK127743	7CSW80 TUBE	1m	
	HL101401	4N38 TIP	1	
	JA127744 SUN017	7RB PRIMING BULB.	1	
	SUN040 (EG127754)	2S601B-B	4	
	SUN041 (EG127755)	2S601B-R	4	
	SUN042 (EG127756)	2S601B-N	4	
	SUN043 (EG127757)	2S601B-G	4	
	SUN044 (EG127758)	2S601B-V	4	
	SUN045 (EG127759)	2S601B-M	4	
	SUN040045	2S601B-0	4	

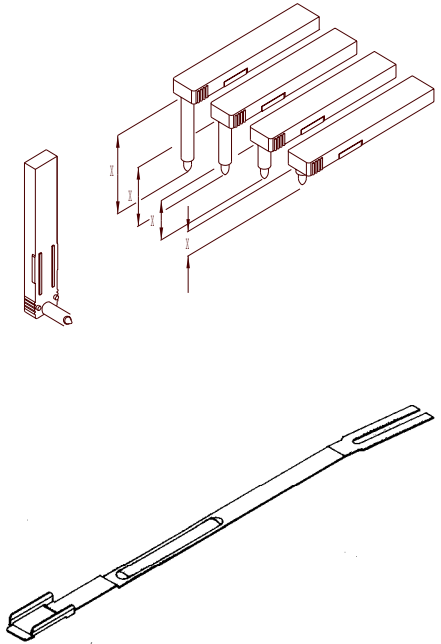
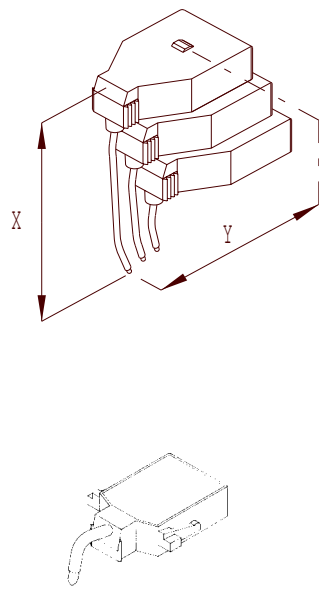
GRAPHIC CONTROLS LTD, ST PETERS QUAY, TOTNES, DEVON, TQ9 5XH, UK

TEL : +44 (0)1803 860100 FAX : +44 (0)1803 863838 EMAIL : sales@crowng.com WEB : http://www.crowng.com

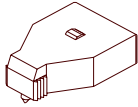
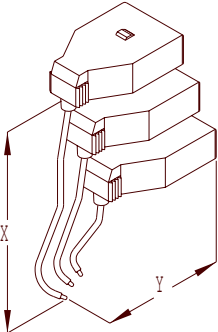
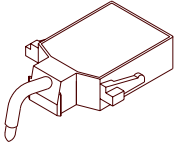
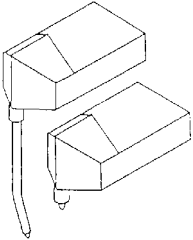


Model	OEM Part	Our Equivalent	Pk	CHESSELL
320 FTD RECORDER, 3020, 3026	LA128961 LA128962 LA128963 LA128964 LA128965 LA128966	1MT631-G 1MT632-R 1MT633-B 1MT634-N 1MT635-V 1MT636-M	1 1 1 1 1 1	
321	LA234423 LA234424 LA234425 LA202607 LA203810 LA200266	1MT637-G 1MT637-B 1MT638-R 1MT639-B 1MT639-G 1MT630-N	1 1 1 1 1 1	

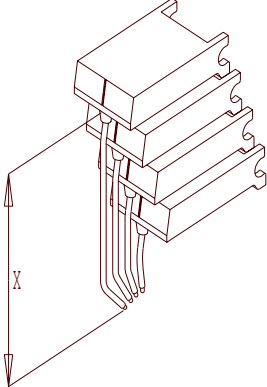
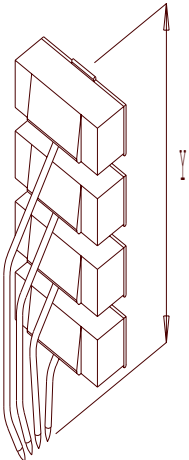


Model	OEM Part	Our Equivalent	Pk	CHESELL
390, 392.	LA203211 LA203281 LA203191 LA203291	1UD231-B	2 2 5 5	
	LA203212 LA203282 LA203192 LA203292	1UD232-R	2 2 5 5	
	LA203213 LA203283 LA203193 LA203293	1UD233-G	2 2 5 5	
	LA203214 LA203284 LA203194 LA203294	1UD234-N	2 2 5 5	
	LA203132U001 BA203132	9K23	1	
340 SERIES, 342, 344, 345.	LA235347 LA243771	1MT911-B	1	
	LA235348 LA243772	1MT912-R	1	
	LA235349 LA243773	1MT913-G	1	
	LA204337	1MT911-R	1	
	LA204852 LA204858 LA204338	1MT912-B 1MT912-N 1MT912-G	1 1 1	
	LA204339	1MT913-B	1	
	LA244770	1MT91A-V	1	

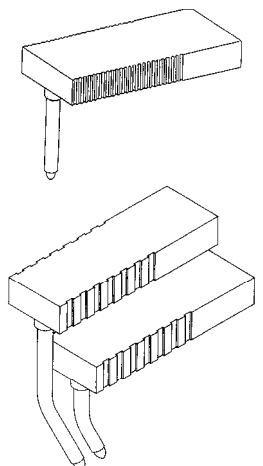
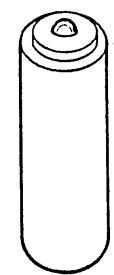
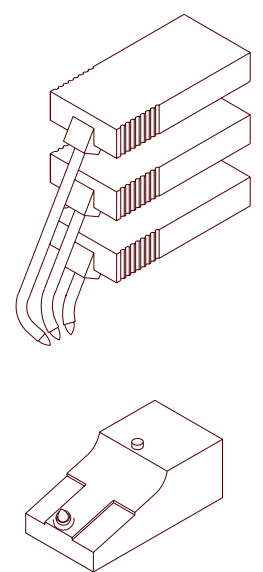


Model	OEM Part	Our Equivalent	Pk	CHESSELL
342D	LA247158 LA249956	1MT910-N	1	
	LA246521 LA246521U100	1MT914-B	1	
	LA246522 LA246522U100	1MT915-R	1	
	LA246523 LA246523U100	1MT916-G	1	
	LA205645U100 LA205646U100 LA205646U200	1MT914-R 1MT915-B 1MT915-N	1 1 1	
	LA235350 LA243770	1MT91A-V	1	
				
BD7, BD8, BD9, BD10, BD11, BD12, BD30, BD40, BD41.	LZ127890 XR13/1	1MT271-R	5	
	LZ127886 XR12/1	1MT272-R	5	
	LZ127887 XR12/2	1MT272-B	5	
	LZ127889 XR12/4	1MT272-N	5	



Model	OEM Part	Our Equivalent	Pk	CHESSELL
4100 SERIES, MODELS 4101C, 4102C, 4103C.	LA249554	1MX161-V	1	
	LA249553	1MX162-G	1	
	LA249552	1MX163-R	1	
	LA249551	1MX164-B	1	
4250C	LA244371	1MX171-G	1	
	LA244372	1MX172-R	1	
	LA244373	1MX173-B	1	
	LA244374	1MX174-N	1	
4101M,4102M,4103M	LA249556	6PH01	1	
4108	LA248163	6PH04	1	



Model	OEM Part	Our Equivalent	Pk	CHINO
ES SINGLE CHANNEL RECORDER.	22010-425301	1FD29C05-R	5	
EL SERIES 1-3 PEN RECORDER.	22010-425301	1FD29C05-R	5	
	22010-425302	1FD29MC2-G	5	
	22010-425303	1FD29MC3-B	5	
EH SERIES	M3-5020-1 M3-5020-2 M3-5020-3 M3-5020-4	2N500-R 2N500-G 2N500-B 2N500-N	4 4 4 4	
AL HYBRID SERIES RECORDER.	22019-425301 22019-425302 22019-425303	1MT951-R 1MT952-G 1MT953-B	3 3 3	
AL-560-NNN	22019-426201	1MT95A-N	5	



Model	OEM Part	Our Equivalent	Pk	CLEVELAND CONTROLS
<div style="border: 1px solid black; padding: 5px;"> CONVERSION ARMS ARE AVAILABLE TO ADAPT THE 64000-12" CIRCLE CHART RECORDER TO USE OUR 1UD24 PEN SERIES, DETAILS ON REQUEST. </div>				
PEN ARM FOR BLACK PEN.	24980-4D BLACK	9KUD1958/2	1	
	26059-1	1UD241-R	6	
	26059-2	1UD242-B	6	
	26059-3	1UD243-G	6	
	26059-4	1UD244-N	6	

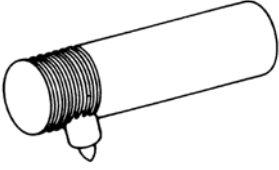


CROWN GRAPHIC

MARKING SYSTEMS CATALOGUE

JANUARY 2008

PAGE C11.01

Model	OEM Part	Our Equivalent	Pk	CLIFFORD INST.
		1PB3-B01	5	
		1PB3-G01	5	
		1PB3-N01	5	
		1PB3-R01	5	
		1PB3-V01	5	
		1PB3-B06	5	
		1PB3-G06	5	
		1PB3-N06	5	
		1PB3-R06	5	
		1PB3-V06	5	

GRAPHIC CONTROLS LTD, ST PETERS QUAY, TOTNES, DEVON, TQ9 5XH, UK

TEL : +44 (0)1803 860100 FAX : +44 (0)1803 863838 EMAIL : sales@crowng.com WEB : <http://www.crowng.com>

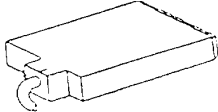
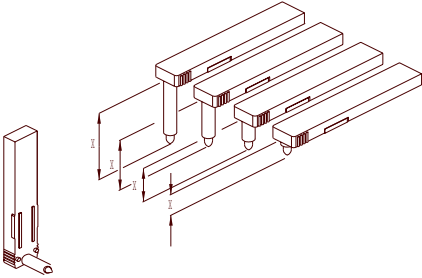
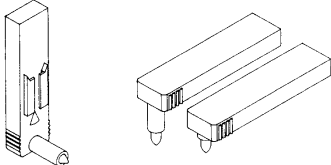


Model	OEM Part	Our Equivalent	Pk	COLE PALMER
8373-10, -20, -30, 8376-10, -20, -30, -40, -42, -50, -51, -52, -55, -60, -62, 8386-90, 80910-00, 80900-00, 80550-00, -20.	8377-05 8377-08 8479-30 8479-34	1FD29C09-B 1FD29C09-G 1FD29C09-R 1FD29C09-N	6 6 6 6	
8376-30, -42, -60, -62 8373-20, 80550-10.	8479-31 8479-32 8479-33 8479-35	1FD29C31-B 1FD29C31-R 1FD29C31-G 1FD29C31-N	6 6 6 6	
8386-82, -86, -90, 8373-30.	8373-04	1FD29C26-N	6	
8373-30, 8386-86, -90	8373-06	1FD29C38-G	6	
8380-42	8479-20 8479-21 8479-23 8479-24	1PB3-R03 1PB3-B03 1PB3-G03 1PB3-N03	5 5 5 5	
80400-00/10, 80400-02/12, 80400-04/14, 80400-06/16, 80400-20/30, 80400-22/32, 80400-24/34, 80400-26/36.	80400-60 80400-61 80400-62 80400-63	1FD14-R 1FD14-G 1FD14-B 1FD14-M	3 3 3 3	




Model	OEM Part	Our Equivalent	Pk	COLE PALMER
80450-00, -05, 80452-00, -05, -20, -25, -40, -45.	80451-50	1MT081-R	6	
80451-10, -15, 80451-10, -12, 80452-10, -15, -30, -35, -50, -55.	80451-50 80451-51	1MT081-R 1MT082-B	6 6	
80451-00, -20, -22.	80451-50 80451-51 80451-52	1MT081-R 1MT082-B 1MT083-G	6 6 6	
8312-00, -10, -20, -30, 80303-00, -10, -20, -02, -12, -22.	8312-50 8312-51 8312-52 8312-53 8312-54 8312-55	1FD3-R 1FD3-B 1FD3-G 1FD3-N 1FD3-V 1FD3-M	3 3 3 3 3 3	
8386-49, -50, -51, -52, -53, -54.	8386-58 8386-59 8386-60	1MT441-R 1MT442-G 1MT443-B	3 3 3	
	8386-62	1MT44P3-V	3	

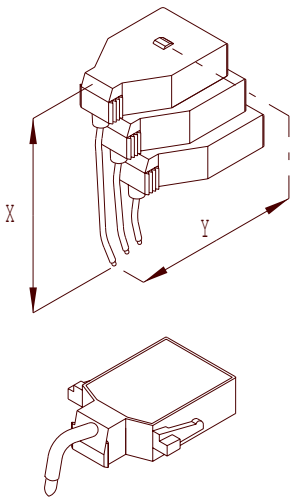
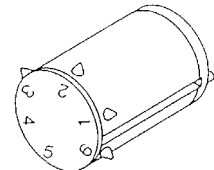
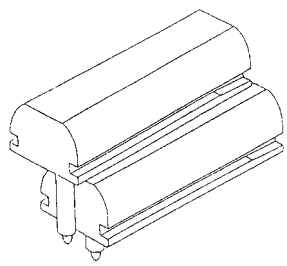
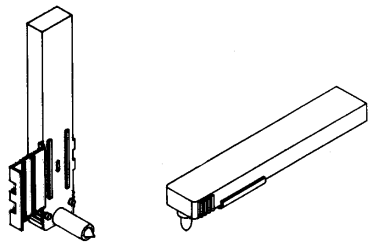


Model	OEM Part	Our Equivalent	Pk	COLE PALMER
80500-00, -01, -02, -03, -04, -05, -06, -07, -20, -21, -22, -23, -30, -31, -32, -33, -34, -35, -40, -41, -50, -51, -52, -53, 56500-10, -12, -30, -32.	56500-50	1MT131-R	3	
80600-00, -02, -04, -06, -10, -12, -14, -16, -20, -22, -24, -26.	80600-80 80600-81 80600-82 80600-83	1UD231-B 1UD232-R 1UD233-G 1UD234-N	5 5 5 5	
80000-00, 8372-01, -02, -04, -05, -11, -13, -15, -17, -20, -23, -24, -26, -28, -30, -31, -33, -34, -40, -41, -43, -44, -50, -52, -57, -58, -60, -61, -65, -66, -70, -75, -84, -86, 8371-70, -72, -74, -76, -80, -82, -84, -86, -90, -92, -94, -96, 8374-10, -15, -20, -25, -30, -35, 80001-00, -03, -10, 80004-00, -10, -20, -40, -60, 80003-00, -10, 80002-00, -03, -10, -20.	8372-55 8372-64	1UD211-R 1UD212-B	1 1	
8387-40, -50, -60, -62, -66.	8387-71 8387-72	1MT041V-G 1MT042V-R	5 5	

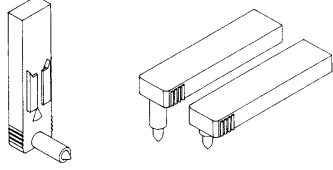
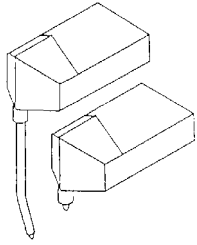
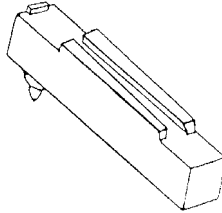


Model	OEM Part	Our Equivalent	Pk	COLE PALMER	
8323-00, -10, -20, -25, -30, -35, -40, -45, -80, -85,	8323-50	1CY20**-N	5		
	8323-51	1CY20**-R	5		
	8323-52	1CY20**-G	5		
	8323-53	1CY20**-B	5		
	8323-54	1CY20**-V	5		
	8323-55	1CY20**-O	5		
	8323-56	1CY20**-Y	5		
	8323-57	1CY20**-M	5		
** WE OFFER 4 DIFFERENT TIP OPTIONS, EITHER P3, P5, P7 & RB.					
18600-00 DESKTOP PLOTTERS.	18600-70	1CY20P3-N	5		
	18600-71	1CY20P3-R	5		
	18600-72	1CY20P3-B	5		
	18600-73	1CY20P3-G	5		
	18600-74	1CY20P3-Y	5		
	18600-75	1CY20P3-V	5		
	18600-76	1CY20P3-O	5		
	18600-77	1CY20P3-M	5		
	18600-78	1CY20P3-A	5		
	18600-79	1CY20P3-C	5		
	18600-80	1CY20P7-N	5		
	18600-81	1CY20P7-R	5		
	18600-82	1CY20P7-B	5		
	18600-83	1CY20P7-G	5		
	18600-84	1CY20P7-Y	5		
	18600-85	1CY20P7-V	5		
	18600-86	1CY20P7-O	5		
	18600-87	1CY20P7-M	5		
	18600-88	1CY20P7-A	5		
	18600-89	1CY20P7-C	5		
	18600-90	1CY20RB-N	5		
	18600-91	1CY20RB-R	5		
	18600-92	1CY20RB-B	5		
	18600-93	1CY20RB-G	5		
	18600-94	1CY20RB-Y	5		
	18600-95	1CY20RB-V	5		
	18600-96	1CY20RB-O	5		
	18600-97	1CY20RB-M	5		
	18600-98	1CY20RB-A	5		
18600-99	1CY20RB-C	5			



Model	OEM Part	Our Equivalent	Pk	COLE PALMER
80601-00, -05, -10, -15, -20, -25.	80601-60	1MT911-B	1	
	80601-61	1MT912-R	1	
	80601-62	1MT913-G	1	
	80601-65	1MT91A-V	1	
80602-00, -05, -10, -15.	80602-62	6PW01	1	
80200-00, -10, -20.	80200-60	1SD3005-N	6	
	80200-62	1SD3005-B	6	
80200-00, -10, -20, -30, -40, -50.	80200-64	1SD3005-R	6	
	80200-66	1SD3005-G	6	
80050-00	80050-70	1UD241-N	6	
	80050-71	1UD241-R	6	



Model	OEM Part	Our Equivalent	Pk	COLE PALMER
80060-00, -02, -04, -06, -08, -10, -12, -14, -16, -18.	80060-61	1UD211-B02	6	
	80060-60	1UD212-R02	6	
80300-00, -10, -20, 8310-00, -10, -20, -30, 8311-20, -30, -60, -70, 8312-00, -10, -20, -30.	8309-50	1MT272-R	6	
	8309-51	1MT272-B	6	
	8309-52	1MT272-G	6	
	8309-53	1MT272-N	6	
	8309-60	1MT271-R	6	
8309-61	1MT271-N	6		
OAKTON 3 SPEED ANEROID BARO. 8570-02 HUMIDITY 8565-10, -20. HYGROTHERMO-GRAPHS 8369-50, -70, 37250-00, -10, -20.	8368-75	1SD7-B	6	
	8368-80	1SD7-R	6	
8377-50, -51, -52, -53.	8377-55	1MT821-G	5	
	8377-56	1MT822-R	5	
	8377-57	1MT823-B	5	
	8377-58	1MT824-N	5	
<div style="border: 1px solid black; padding: 5px; width: fit-content; margin: 0 auto;"> <p>WOULD NEED A SAMPLE OF CH 3 & 4 BEFORE WE COULD SUPPLY.</p> </div>				



CROWN GRAPHIC

MARKING SYSTEMS CATALOGUE

JANUARY 2008

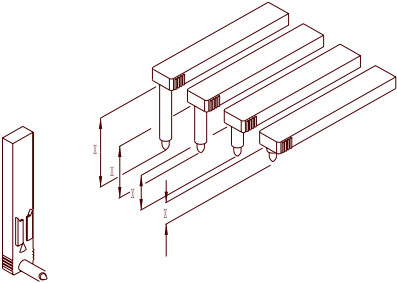
PAGE C13.01

Model	OEM Part	Our Equivalent	Pk	COMARK
4901		1MT231-V	1	
		1MT232-R	1	
		1MT233-N	1	
		1MT234-G	1	
		1MT235-B	1	
		1MT236-M	1	

GRAPHIC CONTROLS LTD, ST PETERS QUAY, TOTNES, DEVON, TQ9 5XH, UK

TEL : +44 (0)1803 860100 FAX : +44 (0)1803 863838 EMAIL : sales@crowng.com WEB : <http://www.crowng.com>



Model	OEM Part	Our Equivalent	Pk	COMEUREG
		1UD201-B	6	
		1UD201-G	6	
		1UD201-N	6	
		1UD201-R	6	
		1UD201-V	6	
		1UD202-B	6	
		1UD202-G	6	
		1UD202-N	6	
		1UD202-R	6	
		1UD202-V	6	
		1UD203-B	6	
		1UD203-G	6	
		1UD203-N	6	
		1UD203-R	6	
		1UD203-V	6	
		1UD204-B	6	
		1UD204-G	6	
		1UD204-N	6	
		1UD204-R	6	
		1UD204-V	6	

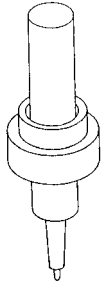


CROWN GRAPHIC

MARKING SYSTEMS CATALOGUE

JANUARY 2008

PAGE C15.01

Model	OEM Part	Our Equivalent	Pk	COMMODORE
CBM 8075		1CY10P3-# 1CY10P5-# 1CY10P7-# 1CY10RB-#	5 5 5 5	
<p>THE ABOVE PENS ARE AVAILABLE IN A VARIETY OF COLOURS, EITHER A,B,C,G,M,N,O,R,V OR Y.</p>				

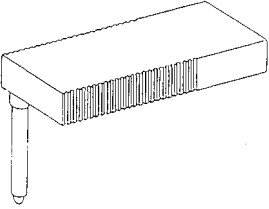


CROWN GRAPHIC

MARKING SYSTEMS CATALOGUE

JANUARY 2008

PAGE C16.01

Model	OEM Part	Our Equivalent	Pk	CORNING GLASS
	839005001	1FD29L23-R	5	

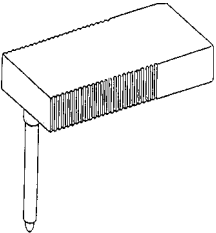
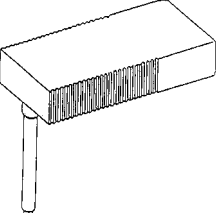


CROWN GRAPHIC

MARKING SYSTEMS CATALOGUE

JANUARY 2008

PAGE C17.01

Model	OEM Part	Our Equivalent	Pk	CURKEN SCIENTIFIC
250-3	FS-30	1FD29C09-N	5	
	FS-32	1FD29C09-R	5	
	FML-35	1FD29C26-G	5	
	FML-36	1FD29C26-B	5	
	FXL-37	1FD29C38-B	5	
	FL-35	1FD29C31-B	5	
	FL-36	1FD29C31-G	5	

GRAPHIC CONTROLS LTD, ST PETERS QUAY, TOTNES, DEVON, TQ9 5XH, UK

TEL : +44 (0)1803 860100 FAX : +44 (0)1803 863838 EMAIL : sales@crowng.com WEB : <http://www.crowng.com>

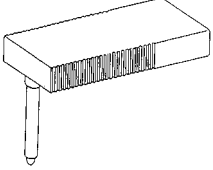


CROWN GRAPHIC

MARKING SYSTEMS CATALOGUE

JANUARY 2008

PAGE D01.01

Model	OEM Part	Our Equivalent	Pk	DERMATHERM
		1FD29L20-R	5	


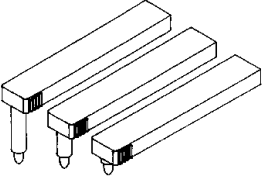
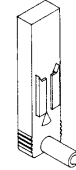
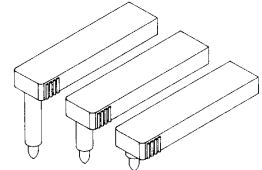


CROWN GRAPHIC

MARKING SYSTEMS CATALOGUE

JANUARY 2008

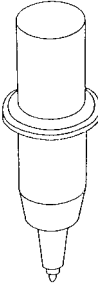
PAGE D02.01

Model	OEM Part	Our Equivalent	Pk	DEVAR	
MINI STRIP CHART RECORDER SERIES 28, TYPE 18-301A, TYPE 18-309.	514006-01	1UD20160-G	6		
	514006-02	1UD20380-R	6		
	514006-03	1UD20710-B	6		
	514006-X	1UD20710-N	6		
	513189-01	1UD21160-G	6		
	513189-02	1UD21380-R	6		
	513189-03	1UD21710-B	6		



Model	OEM Part	Our Equivalent	Pk	DICKSON
CC02x, CDTP4, CKTx, CO2x, CO2xA, CSC3, CSK4, DT4, DT8, DTP, DTW, EL4P, EL8A, EL8H, EL8P, EL8T, ESx, EV4, EV8, FCO2x, FDTP4, FKTX, FSC3, FSK4, FSL4, KTx, KTxA, KTxE, KT6, PR4, PR8, PR10, PRxA, PW4, SC3, SC4, SC8, SK4, SL4, SM4, TEMP TRACE 2.	700-012000 700-022200 P222 SRN-001	1UD211-R	6	
	700-022000 SBN-001	1UD211-B	6	
CTHDX, CTHP, DTDT8, DTDR8, EVEV8, FTHDX, FTHP, PR8, PRPR8, TH4, TH6, TH8, THDX, THP, RH4, RH8, RTR.	700-022100 SBN-001	1UD212-B	6	
	700-012100 700-022200 P222 SRN-001	1UD211-R	6	
	P246	1UD21MIX01	6	
	AF120P AF220P AF320P	1UD131-R 1UD131-B 1UD131-G	5 5 5	
	AF121P AF221P AF321P	1UD132-R 1UD132-B 1UD132-G	5 5 5	
	700-032000	1UD132-G	5	



Model	OEM Part	Our Equivalent	Pk	DIGITAL
LVP 16		1CY20P3-# 1CY20P5-# 1CY20P7-# 1CY20RB-#	5 5 5 5	
THE ABOVE PENS ARE AVAILABLE IN A RANGE OF COLOURS, EITHER A,B,C,G,M,N,O,R,V OR Y.				

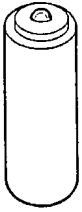
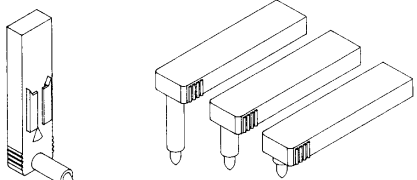


CROWN GRAPHIC

MARKING SYSTEMS CATALOGUE

JANUARY 2008

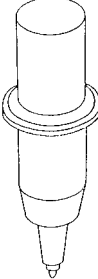
PAGE D05.01

Model	OEM Part	Our Equivalent	Pk	DRAYTON CONTROLS
SHORT PEN KIT MIDDLE PEN KIT LONG PEN KIT	358-894-021	9DR01	1	
	358-894-022	9DR02	1	
	358-894-023	9DR03	1	
	358-894-031	2N500-R	4	
	358-894-032	2N500-B	4	
	358-894-033	2N500-G	4	
	358-894-041	4N38 TIP	1	
PEN CLEANER	358-916-001	9DR04	1	
METAL SYPHON PENS	403-028-100	9DR05	1	
	403-029-100	9DR06	1	
	403-030-100	9DR07	1	
	403-027-001	9DR08	1	
	403-027-002	9DR09	1	
	403-027-003	9DR10	1	
	461-447-110	1UD211-R02	6	
	461-447-120	1UD212-B02	6	
	461-447-130	1UD213-G02	6	

GRAPHIC CONTROLS LTD, ST PETERS QUAY, TOTNES, DEVON, TQ9 5XH, UK

TEL : +44 (0)1803 860100 FAX : +44 (0)1803 863838 EMAIL : sales@crowng.com WEB : http://www.crowng.com



Model	OEM Part	Our Equivalent	Pk	DU PONT
1090, 1091.		1CY20P3-# 1CY20P5-# 1CY20P7-# 1CY20RB-#	5 5 5 5	
<p>THE ABOVE PENS ARE AVAILABLE IN A RANGE OF COLOURS, EITHER A,B,C,G,M,N,O,R,V OR Y.</p>				



Model	OEM Part	Our Equivalent	Pk	DURO
<p>DURO CIRCLE CHART RECORDERS ALREADY CONVERTED TO TAKE FTD PENS CAN USE OUR 1UD24 PEN SERIES. WE CAN SUPPLY ARMS TO ADAPT RECORDERS NOT CONVERTED, PLEASE STATE CHANNEL WHEN ORDERING. THE CHANNEL IS IDENTIFIED BY MEASURING THE LENGTH FROM THE BACK OF THE ARM TO THE NIB POINT OF THE PEN.</p>				
	<p>CH.1 = 153.6mm CH.2 = 157.4mm CH.3 = 161.2mm CH.4 = 165.0mm</p>	<p>9KUD1956/2 9KUD19## 9KUD19## 9KUD1957/2</p>		
		<p>1UD241-B</p>	<p>6</p>	
		<p>1UD242-R</p>	<p>6</p>	
		<p>1UD243-G</p>	<p>6</p>	
		<p>1UD244-V</p>	<p>6</p>	
<p>OUR 1UD24 SERIES IS AVAILABLE IN A RANGE OF COLOURS. EITHER B,G,N,R OR V, IN ANY CHANNEL.</p>				



Model	OEM Part	Our Equivalent	Pk	ECKARDT
PNEUMATIC 3 CHANNEL STRIP CHART RECORDER COMPACT P600, ELECTRIC 3 CHANNEL STRIP CHART RECORDER COMPACT E600.	FEXG.414.165.014	1MT201-B	5	
	FEXG.414.165.061	1MT201-R	5	
	FEXG.414.165.079	1MT201-G	5	
	FEXG.414.165.088	1MT201-V	5	
	FEXG.414.165.097	1MT201-M	5	
	FEXG.414.165.102	1MT201-N	5	
	FEXG.414.165.023	1MT202-R	5	
	FEXG.414.165.111	1MT202-B	5	
	FEXG.414.165.122	1MT202-G	5	
	FEXG.414.165.131	1MT202-V	5	
	FEXG.414.165.149	1MT202-M	5	
	FEXG.414.165.158	1MT202-N	5	
	FEXG.414.165.032	1MT203-G	5	
	FEXG.414.165.167	1MT203-B	5	
	FEXG.414.165.176	1MT203-R	5	
	FEXG.414.165.185	1MT203-V	5	
	FEXG.414.165.194	1MT203-M	5	
FEXG.414.165.201	1MT203-N	5		
PNEUMATIC 1 CH. STRIP CHART RECORDER. COMPACT P600	FEXG.414.165.041	1MT204-B	5	
PNEUMATIC 2 CH. STRIP CHART RECORDER. COMPACT P600	FEXG.414.165.041	1MT204-B	5	
	FEXG.414.165.052	1MT203-R	5	
		2N100-B 2N100-G 2N100-N 2N100-R 2N100-V	4 4 4 4 4	


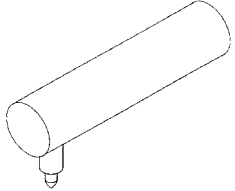
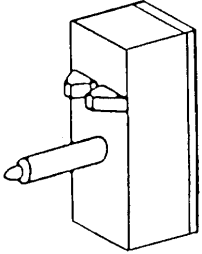


CROWN GRAPHIC

MARKING SYSTEMS CATALOGUE

JANUARY 2008


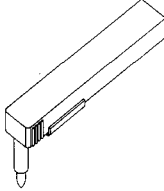
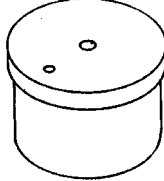
PAGE E01.02

Model	OEM Part	Our Equivalent	Pk	ECKARDT
		2N200-B 2N200-G 2N200-N 2N200-R 2N200-V	4 4 4 4 4	
D34/., DB4/., DR4/., ED4/., EP4/.		1PB7-B03	1	
DK5/., DP5., DR5/., DS5., EP5/., TQF5/.	FEXG.403.783.012 FEXG.408.401.012	1SD32-B01 1SD32-R01 1SD32-V01	6 6 6	

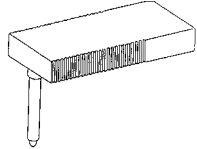
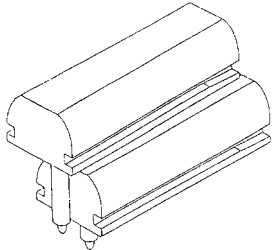
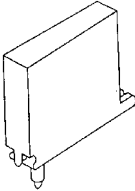
GRAPHIC CONTROLS LTD, ST PETERS QUAY, TOTNES, DEVON, TQ9 5XH, UK

TEL : +44 (0)1803 860100 FAX : +44 (0)1803 863838 EMAIL : sales@crowng.com WEB : http://www.crowng.com



Model	OEM Part	Our Equivalent	Pk	EDGCUMBE PEEBLES
<p>FLAT CHART RECORDERS CAN BE CONVERTED TO USE OUR 1UD24 FTD PEN SERIES BY USING OUR ARM LISTED BELOW. THE CONVERSION IS NOT SUITABLE FOR SLOPING MODELS. ON SUPER RESPONSE MODELS THE 1UD24 MAY NOT GIVE AN ADEQUATE HIGH SPEED TRACE.</p>				
	PA26106A PA26106B PA26412 P26413 PA26107 PA25826 PA25827 PA23242 PA16733	9KUD197 1UD242-B	1 6	 
	P4678A	9MR12518716		
DWARF RECORDERS. ("INKWELL" PENS WITH SCREWED BUSHES).	PA23230 BK PA23230 R PA23230 B PA23230 G PA23230 M	2S502-N 2S502-R 2S502-B 2S502-G 2S502-V	1 1 1 1 1	
	RY8479-01 RY8479-02	9EV01 9EV02	1 1	



Model	OEM Part	Our Equivalent	Pk	ELKAY
	LK-011-0252-011 LK-011-0252-012	1FD29C19-G 1FD29C19-R	5 5	
	LK-011-0253-011 LK-011-0253-012 LK-011-0253-013	1FD29C33-G 1FD29C33-R 1FD29C33-N	5 5 5	
	LK-011-0254-011 LK-011-0254-012 LK-011-0254-013 LK-011-0254-014	1SD3003-G 1SD3003-R 1SD3003-N 1SD3003-B	6 6 6 6	
	LK-011-0255-011 LK-011-0255-012 LK-011-0255-013 LK-011-0255-014	1SD3101-G 1SD3101-R 1SD3101-N 1SD3101-B	6 6 6 6	
	LK-011-0258-011 LK-011-0258-012	1SD24-G 1SD24-R	6 6	
	LK-011-0259-011 LK-011-0259-012 LK-011-0259-013 LK-011-0259-014	1FD20-G 1FD20-R 1FD20-N 1FD20-B	2 2 2 2	

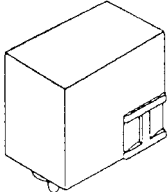
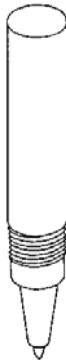


CROWN GRAPHIC

MARKING SYSTEMS CATALOGUE

JANUARY 2008

PAGE E03.02

Model	OEM Part	Our Equivalent	Pk	ELKAY
	LK-011-0263-011 LK-011-0263-012 LK-011-0263-013 LK-011-0263-014	1SD4-G 1SD4-R 1SD4-N 1SD4-B	10 10 10 10	
	LK-011-0251-011 LK-011-0251-012 LK-011-0251-013 LK-011-0251-014	1CY51-G 1CY51-R 1CY51-N 1CY51-B	6 6 6 6	
	LK-011-0260-011 LK-011-0260-012 LK-011-0260-013 LK-011-0260-014	1CY1-G01 1CY1-R01 1CY1-N01 1CY1-B01	3 3 3 3	

GRAPHIC CONTROLS LTD, ST PETERS QUAY, TOTNES, DEVON, TQ9 5XH, UK

TEL : +44 (0)1803 860100 FAX : +44 (0)1803 863838 EMAIL : sales@crowng.com WEB : http://www.crowng.com




CROWN GRAPHIC

MARKING SYSTEMS CATALOGUE

JANUARY 2008

PAGE E04.01

Model	OEM Part	Our Equivalent	Pk	ELMES STAUB
ELMES 13	442935/1	1CY8-B	6	

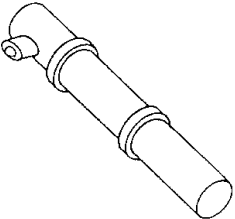


CROWN GRAPHIC

MARKING SYSTEMS CATALOGUE

JANUARY 2008

PAGE E05.01

Model	OEM Part	Our Equivalent	Pk	ELVI
		1PB418MM-B 1PB418MM-G 1PB418MM-N 1PB418MM-R	6 6 6 6	

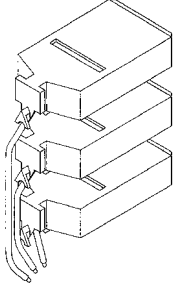
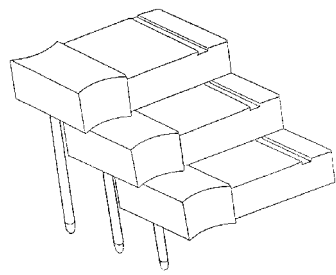
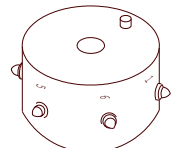
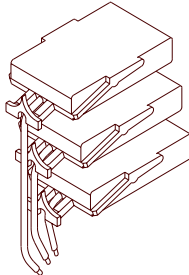
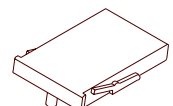


CROWN GRAPHIC

MARKING SYSTEMS CATALOGUE

JANUARY 2008

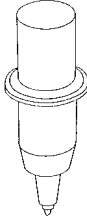
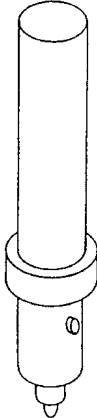
PAGE E06.01

Model	OEM Part	Our Equivalent	Pk	ENDRESS & HAUSER
CHROMA-LOG SL	50044856 50064978	1MX111-B	1	
	50044857 50064977	1MX112-R	1	
	50044858 50064976	1MX113-G	1	
CHROMA-LOG L	5003-4718	1MT851-R	5	
	5003-4719	1MT852-G	5	
	5003-4720	1MT853-B	5	
CHROMA LOG SP, MEGA-LOG TN, MEGA-LOG TP.	50044813	6PW2501 6col	1	
ALPHA LOG RECORDER.	50073115	1MX201-B	1	
	50073116	1MX202-R	1	
	50073117	1MX203-G	1	
	50074032	1MX20A-A	1	

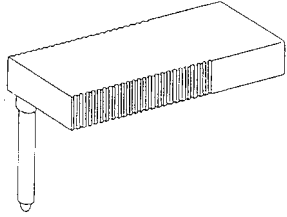
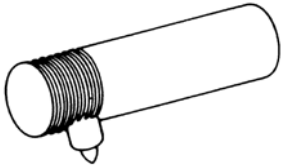
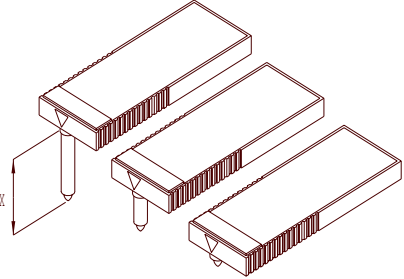
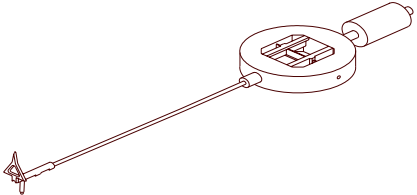
GRAPHIC CONTROLS LTD, ST PETERS QUAY, TOTNES, DEVON, TQ9 5XH, UK

TEL : +44 (0)1803 860100 FAX : +44 (0)1803 863838 EMAIL : sales@crowng.com WEB : http://www.crowng.com

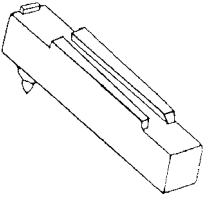


Model	OEM Part	Our Equivalent	Pk	ENTER COMPUTER
SWEET P600, SP1000, SP1200, SP1800.		1CY20P3-# 1CY20P5-# 1CY20P7-# 1CY20RB-#	5 5 5 5	
<p>THE ABOVE PENS ARE AVAILABLE IN A RANGE OF COLOURS, EITHER A,B,C,G,M,N,O,R,V OR Y.</p>				
SWEET P100.		1CY14-# 1CY14P3-# 1CY14P5-# 1CY14P7-# 1CY14RB-#	5 5 5 5 5	
<p>THE ABOVE PENS ARE AVAILABLE IN A RANGE OF COLOURS, EITHER A,B,C,G,M,N,O,R,V OR Y.</p>				

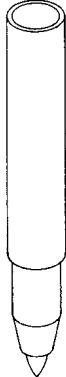


Model	OEM Part	Our Equivalent	Pk	ESTERLINE ANGUS
MINISERVO, UA 5, MS401B, MS401BB, MS401C, MS401E, MS411B, MS411BS.	723A26-RD 723A26-BE 723A26-BK 723A26-GN 723A26-PE	1FD29L20-R 1FD29L20-B 1FD29L20-N 1FD29L20-G 1FD29L20-V	5 5 5 5 5	
613		1PB3-B06 1PB3-G06 1PB3-N06 1PB3-R06 1PB3-V06	5 5 5 5 5	
MINI SERVO, MS411C, MS412B, MS412C, MS413B, MS413C, MS422C, MS424C, MS426C.	752A900-1-6 752A900-2-6 752A900-3-6	1FD041-B 1FD042-R 1FD043-N	6 6 6	
A601C, A609C.	8510C2R 8510C2BE	1MX08-R 1MX08-B	2 2	



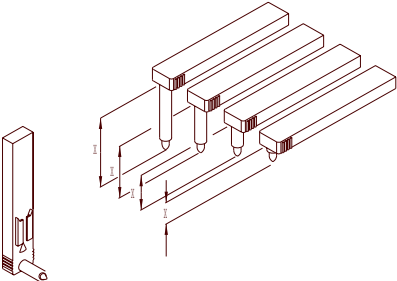
Model	OEM Part	Our Equivalent	Pk	EVERSHED & VIGNOLES
		1SD7-B 1SD7-G 1SD7-N 1SD7-R 1SD7-V	3 3 3 3 3	
METAL SYPHON PEN LEFT HAND.	RY8479/1	9EV01	1	
METAL SYPHON PEN RIGHT HAND.	RY8479/2	9EV02	1	
METAL BUCKET PEN	RZ121-13B	9EV03	1	
METAL "TROUGH" PEN TO REPLACE ORIGINAL E.V. "MURDAY" SYSTEM RECORDER.		9EV04	1	




Model	OEM Part	Our Equivalent	Pk	FACIT
4550, 4551	928 8140/101 11350969-00/9	1CY22P3-N	7	
	928 8140/201 11350969-00/7	1CY22P3-R	7	
	928 8140/301 11350969-00/5	1CY22P3-G	7	
	928 8140/401 11350969-00/3	1CY22P3-B	7	
	928 8140/501	1CY22P3-O	7	
	928 8140/601	1CY22P3-M	7	
		1CY22P3-A	7	
		1CY22P3-C	7	
		1CY22P3-V	7	
		1CY22P3-Y	7	
	928 8141/101 11350963-00/2	1CY22P7-N	7	
	928 8141/210 11350963-00/0	1CY22P7-R	7	
	928 8141/301 11350963-00/7	1CY22P7-G	7	
	928 8141/401 11350963-00/5	1CY22P7-B	7	
	928 8141/501	1CY22P7-O	7	
	928 8141/601	1CY22P7-M	7	
		1CY22P7-A	7	
		1CY22P7-C	7	
		1CY22P7-V	7	
		1CY22P7-Y	7	

OUR CY22 RANGE CAN ALSO BE SUPPLIED WITH EITHER P5 OR RB TIPS, THEY CAN BE SUPPLIED IN A VARIETY OF COLOURS BEING EITHER A,B,C,G,M,N,O,R,V OR Y.


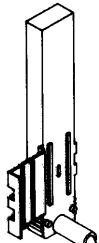
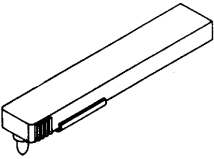


Model	OEM Part	Our Equivalent	Pk	FAREG
		1UD201-B	6	
		1UD201-G	6	
		1UD201-N	6	
		1UD201-R	6	
		1UD201-V	6	
		1UD202-B	6	
		1UD202-G	6	
		1UD202-N	6	
		1UD202-R	6	
		1UD202-V	6	
		1UD203-B	6	
		1UD203-G	6	
		1UD203-N	6	
		1UD203-R	6	
		1UD203-V	6	
		1UD204-B	6	
		1UD204-G	6	
		1UD204-N	6	
		1UD204-R	6	
		1UD204-V	6	

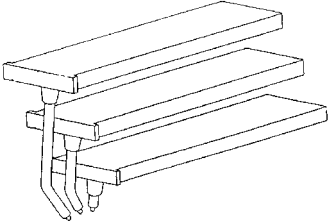
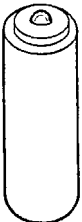

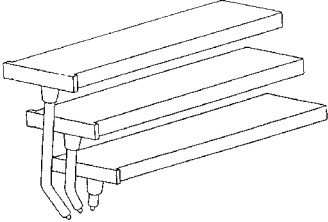
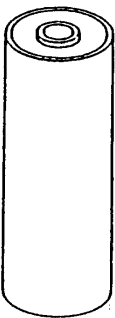


Model	OEM Part	Our Equivalent	Pk	FARNELL		
A4-XY, A3-XY, A3-XYT, A4-XYT		1CY10201P3-A	3			
		1CY10201P3-B	3			
		1CY10201P3-C	3			
		1CY10201P3-G	3			
		1CY10201P3-M	3			
		1CY10201P3-N	3			
		1CY10201P3-O	3			
		1CY10201P3-R	3			
		1CY10201P3-V	3			
		1CY10201P3-Y	3			
		1CY10201P5-A	3			
		1CY10201P5-B	3			
		1CY10201P5-C	3			
		1CY10201P5-G	3			
		1CY10201P5-M	3			
		1CY10201P5-N	3			
		1CY10201P5-O	3			
		1CY10201P5-R	3			
		1CY10201P5-V	3			
		1CY10201P5-Y	3			
		1CY10201P7-A	3			
		1CY10201P7-B	3			
		1CY10201P7-C	3			
		1CY10201P7-G	3			
		1CY10201P7-M	3			
		1CY10201P7-N	3			
		1CY10201P7-O	3			
		1CY10201P7-R	3			
		1CY10201P7-V	3			
		1CY10201P7-Y	3			
		1CY10201RB-A	3			
		1CY10201RB-B	3			
		1CY10201RB-C	3			
		1CY10201RB-G	3			
		1CY10201RB-M	3			
		1CY10201RB-N	3			
		1CY10201RB-O	3			
		1CY10201RB-R	3			
		1CY10201RB-V	3			
		1CY10201RB-Y	3			
	PR1A		1MT01A1-R		1	
			1MT01A2-N		1	


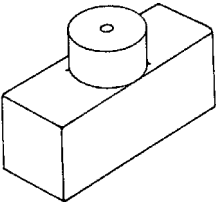
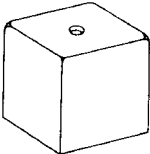



Model	OEM Part	Our Equivalent	Pk	FIELDEN INSTRUMENTS	
"BIKINI" RECORDER	A1/144	9FE01	1		
	A25913 A25914	2N375-#	4		
THE 2N375 RANGE CAN BE SUPPLIED IN A VARIETY OF COLOURS, THE STANDARD BEING EITHER B,G,N OR R.					
	A25976	9ROL	1		
	A25977	7RB	1		
THE ABOVE RECORDER CAN BE CONVERTED TO USE OUR 1UD241 FTD PEN BY USING THE CONVERSION ARM LISTED BELOW.					
	A25911	9KUD1917	1		
		1UD241-B 1UD241-G 1UD241-N 1UD241-R 1UD241-V	6 6 6 6 6		 



Model	OEM Part	Our Equivalent	Pk	FISCHER & PORTER
51-301D, 51-305.	LA125451 LA125452 LA125453	1MT241-B 1MT242-R 1MT243-G	3 3 3	
51-301C.		4N38X4 TIPS 2N500-B 2N500-G 2N500-R	1 4 4 4	
<p>THE ABOVE RECORDER CAN BE CONVERTED TO USE OUR 1MT24 FTD PEN SERIES BY USING THE PARTS LISTED BELOW.</p>				
	CH1 CARRIAGE CH2 CARRIAGE CH3 CARRIAGE	9K241 9K242 9K243	1 1 1	
	LA125451	1MT241-B	3	
	LA125452	1MT242-R	3	
	LA125453	1MT243-G	3	
51-1102, 51-1310, 51-3121, 51-1321 S1-1340	141B054U01 141B054U02 141B054U03 141B054U04 141B054U05 141B054U06	2N300-R 2N300-B 2N300-G 2N300-N 2N300-M 2N300-V	4 4 4 4 4 4	
	42046D721B	2N300-B	1	

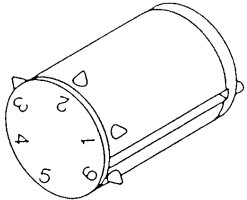
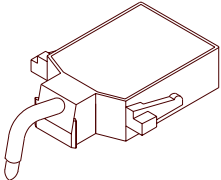
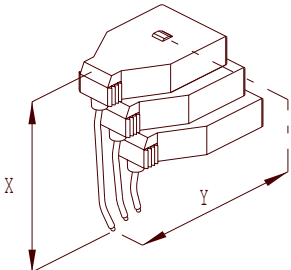
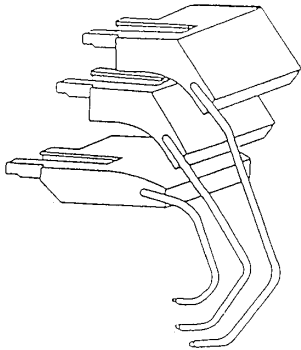


Model	OEM Part	Our Equivalent	Pk	FISCHER & PORTER
51-2202, 51-4202.	141B066U01 141B067U01 141B068U01 141B081U02	2R500-R 2R500-B 2R500-G 2R500-N	4 4 4 4	
51-1231.	141B083U01 141B083U04 141B083U02 141B083U05 141B083U03 141B083U06	2S411-R 2S411-B 2S411-G	4 4 4	
51-1202, 51-1212, 51-3202.	141B08401 141B08402 141B08403 141B08405 141B08406 141B08407	2S211-R 2S211-B 2S211-G 2S211-N 2S211-V 2S211-M	4 4 4 4 4 4	
		2ZB02-B 2ZB02-G 2ZB02-R	4 4 4	

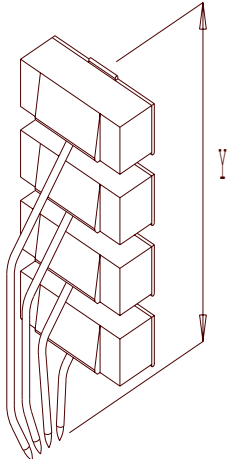


Model	OEM Part	Our Equivalent	Pk	FISCHER & PORTER
CIRCLE CHART RECORDERS 51-1102, WR02, 1390				
CHANNEL 1	141D001U17	1UD231-N	5	
	141D001U21	1UD231-R	5	
	141D001U25	1UD231-B	5	
	141D001U29	1UD231-G	5	
CHANNEL 2	141D001U18	1UD232-N	5	
	141D001U22	1UD232-R	5	
	141D001U26	1UD232-B	5	
	141D001U30	1UD232-G	5	
CHANNEL 3	141D001U19	1UD233-N	5	
	141D001U23	1UD233-R	5	
	141D001U27	1UD233-B	5	
	141D001U31	1UD233-G	5	
CHANNEL 4	141D001U20	1UD234-N	5	
	141D001U24	1UD234-R	5	
	141D001U28	1UD234-B	5	
	141D001U32	1UD234-G	5	
FOR HOLDER TYPE				
CHANNEL 1	141D001U17	1UD241-N	6	
	141D001U21	1UD241-R	6	
	141D001U25	1UD241-B	6	
	141D001U29	1UD241-G	6	
CHANNEL 2	141D001U18	1UD242-N	6	
	141D001U22	1UD242-R	6	
	141D001U26	1UD242-B	6	
	141D001U30	1UD242-G	6	
CHANNEL 3	141D001U19	1UD243-N	6	
	141D001U23	1UD243-R	6	
	141D001U27	1UD243-B	6	
	141D001U31	1UD243-G	6	
CHANNEL 4	141D001U20	1UD244-N	6	
	141D001U24	1UD244-R	6	
	141D001U28	1UD244-B	6	
	141D001U32	1UD244-G	6	
FOR HOLDER TYPE.				


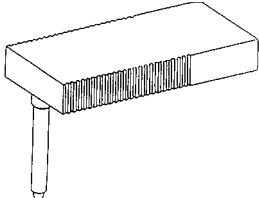
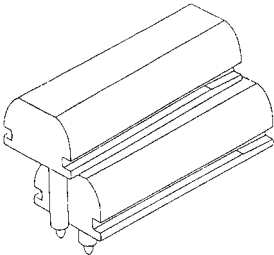
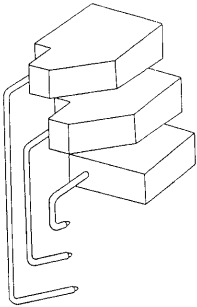


Model	OEM Part	Our Equivalent	Pk	FISCHER & PORTER
2346	141D00#U01	6PW01	1	
	141D002U01	1MT91A-V	1	
	IF141D003U01	1MT911-B	1	
	IF141D004U01	1MT912-R	1	
	IF141D005U01	1MT913-G	1	
ELECTRIC RECORDER 51-1340, 51-1300 SERIES. 3 CH RECORDER	410D052U02	1MT582-R	3	
	410D053U02	1MT581-B	3	
	410D054U02	1MT583-G	3	
2 CH RECORDER	410D052U02	1MT582-R	3	
	410D053U02	1MT581-B	3	
	378B049U01	9ROLFPTE	1	

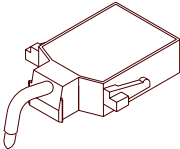
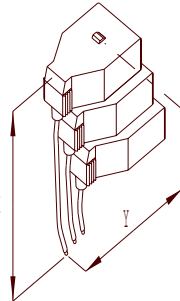
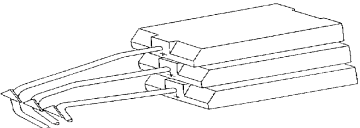


Model	OEM Part	Our Equivalent	Pk	FISCHER & PORTER
6250M	LA244371	1MX171-G	1	
	LA244372	1MX172-R	1	
	LA244373	1MX173-B	1	
	LA244374	1MX174-N	1	
	LA244770	1MT91A-V	1	



Model	OEM Part	Our Equivalent	Pk	FISHER CONTROLS
570, 590 SINGLE CHANNEL.		1CY5-#	4	
		1CY5FL-#	4	
		1CY5P3-#	4	
		1CY5P5-#	4	
		1CY5P7-#	4	
<div style="border: 1px solid black; padding: 5px; width: fit-content; margin: auto;"> <p>THE CY5 FTD RANGE IS AVAILABLE IN A RANGE OF COLOURS, EITHER A,B,C,G,M,N,O,R,V OR Y.</p> </div>				
570, 590 TWO CHANNEL RECORDER.		1FD29C20-#	5	
		1FD29C32-#	5	
<div style="border: 1px solid black; padding: 5px; width: fit-content; margin: auto;"> <p>THE FD29 FTD SERIES IS AVAILABLE IN A RANGE OF COLOURS, EITHER B,G,M,N,R OR V.</p> </div>				
550	385691-01-7	1SD3103-R	5	
	385691-02-5	1SD3006-B	5	
RD41, RD221, RD222, RD1111.	14A2890X022	1MT551-R	1	
	14A2892X022	1MT552-B	1	
	14A2891X022	1MT553-G	1	

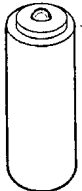



Model	OEM Part	Our Equivalent	Pk	FISHER CONTROLS
RD206	10A8457X012	1MT582-R	3	
	10A8458X012	1MT581-B	3	
DPR SERIES	LA243770	1MT91A-V	1	
	LA243771	1MT911-B	1	
	LA243772	1MT912-R	1	
	LA243773	1MT913-G	1	
<div style="border: 1px solid black; padding: 5px; margin-bottom: 10px;"> <p>RECORDERS 27000 AND 18000 CAN BE CONVERTED TO USE OUR 1MT32 FTD SERIES PENS BY USING THE PARTS LISTED BELOW, EACH RECORDER NEEDS ONE BRACKET WHICH IS ALSO LISTED.</p> </div>				
	HOLDER 292-740-01	9K321 1MT321-G	1 1	
	HOLDER 292-740-02	9K322 1MT322-R	1 1	
	HOLDER 292-740-03	9K323 1MT323-B	1 1	
	BRACKET	9K324	1	


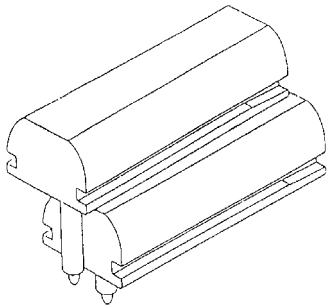
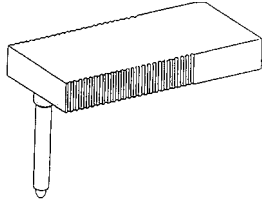
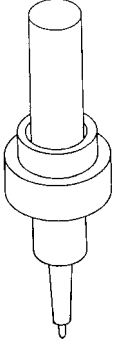


Model	OEM Part	Our Equivalent	Pk	FISHER CONTROLS
<div style="border: 1px solid black; padding: 5px; width: fit-content; margin: 0 auto;"> <p>THE FOLLOWING PARTS ARE OLD ELECTROFLO, NOW SERVICED BY FISHER CONTROLS.</p> </div>				
BUCKET PEN - SHORT.	1000-131	9FR01	1	
MIDDLE.	1000-132	9FR02	1	
LONG.	1000-134	9FR03	1	
CONE PEN-				
	200-85	9FR04	1	
	224-31	9FR05	1	
225-0, 226-0 (IF SCALE FITTED).	225-21	9FR06	1	
REAR PEN.	225-8	9FR07	1	
PEN TIP- OFFSET.	350-133	9FR08	1	
STRAIGHT.	350-57	9FR09	1	
CONE PEN- 225-0, 226-0, 227-0 WITHOUT SCALE.	352-223	9FR10	1	
BUCKET PEN- SHORT	SD 361-203	9FR11	1	
SHORT	SD 361-463	9FR12	1	
MIDDLE	SD 361-206	9FR13	1	
	SD 361-462	9FR14	1	
LONG	SD 361-577	9FR15	1	



Model	OEM Part	Our Equivalent	Pk	FISHER CONTROLS
<div style="border: 1px solid black; padding: 5px; width: fit-content; margin: 0 auto;"> THE FOLLOWING PARTS ARE FROM A VARIETY OF BARTON, BRISTOL, DEVAR AND ELLIOTT RECORDERS. </div>				
	197-296	9FR16	1	
DEVAR- SHORT	222005-1	9FR17	1	
MIDDLE	222005-2	9FR18	1	
LONG	222005-3	9FR19	1	
BARTON- 202UK, 252UK, 344UK BUCKET PENS-	32914	9BR01	1	
	32915	9BR02	1	
	32916	9BR03	1	
ELLIOTT- 3 3/4" & 6" COMBINED RECORDER.	5B2236	9FR20	1	
6" COMBINED RECORDER.	5B2236/1	9FR21	1	
PEN & MARKER.	677 TR0074	9FR22	1	
ELLIOTT- 500, 530. No.1 PEN	6B10022/1	9FR26	1	
No.2 PEN	6B10022/2	9FR27	1	
No.3 PEN	6B10022/3	9FR28	1	
No.4 PEN	6B10022/4	9FR29	1	
CONE PEN	902-9	9FR30	1	
GAS ANALYSIS RECORDER	D4/1051	9FR31	1	
	D4/1052	9FR32	1	
	D4/1055	2N500-#	4	
<div style="border: 1px solid black; padding: 5px; width: fit-content; margin: 0 auto;"> THE N500'S ARE AVAILABLE IN EITHER B,G,N,R,V </div>				
			1	 2N500
	E117	9FR34	1	
PRIMING BULB	E123249	7RB	1	 7RB
STYLUS	E608136	9FR35	1	
SYPHON PEN	TR0063-001	9EV01	1	
	TR0063-002	9EV02	1	
PEN & MARKER.	SB380	9TR0188	1	



Model	OEM Part	Our Equivalent	Pk	FISHER SCIENTIFIC
13-939-10, 13-939-11, 13-939-12, 13-939-13, 13-939-14, 13-939-15, 13-939-20, 13-939-21, 13-939-22, 13-939-23, 13-939-24.	13-939-81 13-939-82 13-939-83 13-939-80	1CY51-N 1CY51-R 1CY51-B 1CY51-MIX01 (1 x N,R,B,G)	4 4 4 4	
13-939-225A, 13-939-225B, 13-939-225C, 13-939-225D, 13-939-225E, 13-939-225F, 13-939-225G, 13-939-225H MICROSCRIBE RECORDERS.	13-939-227-A 13-939-227-B 13-939-227-C 13-939-227-D 13-939-227-E 13-939-227-F 13-939-227-G 13-939-227-H	1SD3005-R 1SD3005-B 1SD3005-N 1SD3005-G 1SD3104-R 1SD3104-B 1SD3104-N 1SD3104-G	6 6 6 6 6 6 6 6	
13-939-250, 13-939-251.	13-939-252A	1FD29C09-B	5	
13-939-96, 13-939-782, 13-939-783, 13-939-785, 13-939-787 PLOTTERS.	13-940-792 13-940-793 13-940-794 13-940-798	1CY10P5-R 1CY10P5-B 1CY10P5-G 1CY10P5-N	5 5 5 5	
<div style="border: 1px solid black; padding: 5px; display: inline-block;"> <p>ALSO WE CAN SUPPLY THE CY10 FTD PEN RANGE IN EITHER P3, P7 OR RB TIPS.</p> </div>				

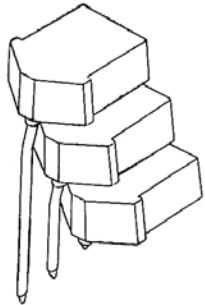


CROWN GRAPHIC

MARKING SYSTEMS CATALOGUE

JANUARY 2008

PAGE F07.02

Model	OEM Part	Our Equivalent	Pk	FISHER SCIENTIFIC
13-939-85A & B, 86A & B, 87A & B, 89A & B, 90A & B, 91A,G & E, 94A & B, 95, 109, 111, 112, 191, 192, 193, 202, 203, 204, 206.	13-939-101A	1MT081-R	1	
	13-939-101B	1MT082-B	1	
	13-939-101C	1MT083-G	1	

GRAPHIC CONTROLS LTD, ST PETERS QUAY, TOTNES, DEVON, TQ9 5XH, UK

TEL : +44 (0)1803 860100 FAX : +44 (0)1803 863838 EMAIL : sales@crowng.com WEB : <http://www.crowng.com>



CROWN GRAPHIC

MARKING SYSTEMS CATALOGUE

JANUARY 2008

PAGE F08.01

Model	OEM Part	Our Equivalent	Pk	FLWSHEET PANELS
METAL PEN- SHORT STEEL TIP	OBSA2/312	9FP01	1	
FIBRE TIP	OBSA2/312F	9FP02	1	
METAL PEN- MIDDLE STEEL TIP	OBSA/625	9FP03	1	
FIBRE TIP	OBSA/625F	9FP04	1	
METAL PEN- LONG STEEL TIP	OBSA/938	9FP05	1	
FIBRE TIP	OBSA/938F	9FP06	1	
FIBRE TIP FOR THE FIBRE TIP PENS.		4N38X4	1	

GRAPHIC CONTROLS LTD, ST PETERS QUAY, TOTNES, DEVON, TQ9 5XH, UK

TEL : +44 (0)1803 860100 FAX : +44 (0)1803 863838 EMAIL : sales@crowng.com WEB : http://www.crowng.com

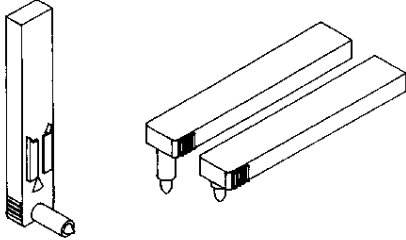


CROWN GRAPHIC

MARKING SYSTEMS CATALOGUE

JANUARY 2008

PAGE F09.01

Model	OEM Part	Our Equivalent	Pk	FOURNIER-EUVARD
		1UD201-B	6	
		1UD201-G	6	
		1UD201-N	6	
		1UD201-R	6	
		1UD201-V	6	
		1UD202-B	6	
		1UD202-G	6	
		1UD202-N	6	
		1UD202-R	6	
		1UD202-V	6	

GRAPHIC CONTROLS LTD, ST PETERS QUAY, TOTNES, DEVON, TQ9 5XH, UK

TEL : +44 (0)1803 860100 FAX : +44 (0)1803 863838 EMAIL : sales@crowng.com WEB : http://www.crowng.com



Model	OEM Part	Our Equivalent	Pk	FOXBORO
39B	<div style="border: 1px solid black; padding: 5px; width: fit-content; margin: auto;"> REFER TO UNIVERSAL SECTION IN FRONT OF THIS CATALOGUE FOR GAS MEASUREMENT PENS. </div>			
127S, 227P, 227S, E27R, E27, 760RNA, 760RNB.	G0114SV G0114SS G0114ST G0114SR G0114SU G0114TA G0114SW G0114SY G0114SX G0114SZ G0114TF G0114TD G0114TE G0114TC G0114TB	1FD171-N 1FD171-R 1FD171-B 1FD171-G 1FD171-V 1FD172-N 1FD172-R 1FD172-B 1FD172-G 1FD172-V 1FD173-N 1FD173-R 1FD173-B 1FD173-G 1FD173-V	3 3 3 3 3 3 3 3 3 3 3 3 3 3 3	
761R	L0120NS L0120NT L0120NR L0120NQ	1MT951-R 1MT952-G 1MT953-B 1MT95A-N	3 3 3 5	



Model	OEM Part	Our Equivalent	Pk	FOXBORO
<p>FOXBORO STRIP CHART RECORDERS CAN BE CONVERTED FROM CAPILLARY INK SYSTEMS TO FTD PENS. BELOW ARE DETAILS OF THE CONVERSION ARMS, PENS AND PEN ARM STOPS.</p>				
<p>INSTRUMENTS WITH "HARP TYPE" PEN ARMS.</p>				
<p>47 TELEMETER, 64, 53/54A, B, C, 120A, 6400H, A & B.</p>	<p>D0129ZN</p>	<p>1MT371-G (INNER)</p>	<p>3</p>	
	<p>D0129ZP</p>	<p>1MT372-R (SECOND)</p>	<p>3</p>	
	<p>D0129ZQ</p>	<p>1MT373-B (THIRD)</p>	<p>3</p>	
	<p>D0129</p>	<p>1MT374-V (OUTER)</p>	<p>3</p>	
	<p>D0129ZR</p>	<p>9K37A</p>	<p>1</p>	
	<p>D0129ZS</p>	<p>9K37S</p>	<p>2</p>	
<p>WHERE THE RECORDER/CONTROLLER CANNOT BE WITHDRAWN FROM IT'S CASE, USE THE FOLLOWING. IF THE MX09 FTD PEN SERIES IS TO BE USED IT CAN ONLY BE USED IF THE SPECIAL PEN ARM IS FITTED.</p>				
		<p>1MX091-G</p>	<p>3</p>	
		<p>1MX092-R</p>	<p>3</p>	
		<p>1MX093-B</p>	<p>3</p>	

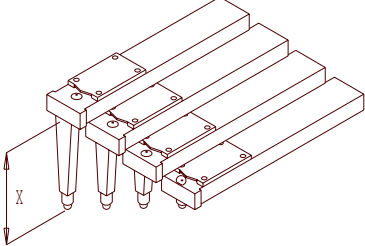
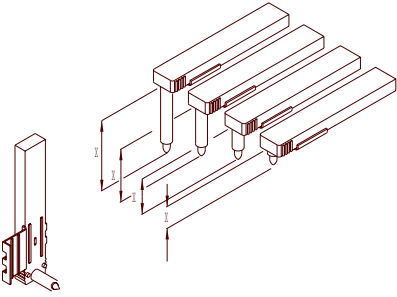
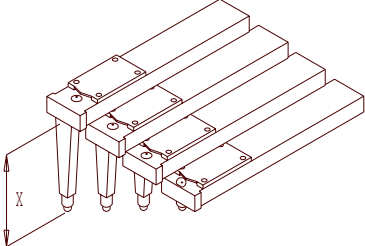


Model	OEM Part	Our Equivalent	Pk	FOXBORO
INSTRUMENTS WITH "RECTANGULAR TYPE" PEN ARMS				
120B, C, D, 124FE, 220A, B, C, 53/54 STYLE E, 6400 A+1, B+1, D, E20S.	D0129ZT	1MT381-G (INNER)	3	
	D0129ZU	1MT382-R (SECOND)	3	
	D0129ZV	1MT383-B (THIRD)	3	
	D0129ZW	1MT384-V (OUTER)	3	
	D0129ZX	9K38A	1	
	D0129ZZ	9K38S	1	
<p>WHERE CUSTOMERS ARE STILL USING CAPILLARY INK SYSTEM RECORDERS AND WISH CONVERT TO FTD PENS PLEASE CONSULT OUR TECHNICAL DEPT. FOR HELP AND ADVICE.</p>				
M/40M, M/40P, 12RD, 12RM.	0012620 0012621 0012622 0015271	9A007 9A008 9A009 9A014	1 1 1 1	
<p>THE ABOVE PENS ARE THE ORIGINAL METAL BUCKET PENS, IF FTD PENS ARE REQUIRED SEE UD40/44.</p>				

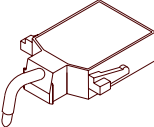
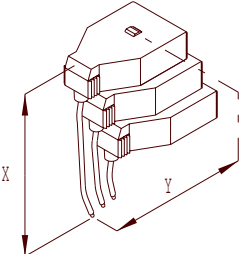
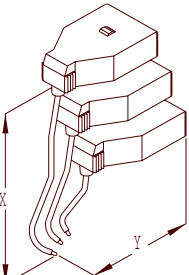
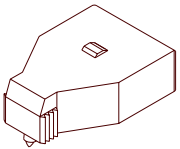


Model	OEM Part	Our Equivalent	Pk	FOXBORO	
<p>OUR UD40/44 FTD PEN RANGE REQUIRES NO CONVERSION ARM AS THEY FIT DIRECTLY ONTO THE OEM PEN ARM. THE No.2 CHANNEL IS THE ARCHING PEN AND SINGLE CHANNEL RECORDERS REQUIRE 1UD402/1UD442 PENS.</p>					
<p>10" & 12" RECORDERS. M/40M, M/40P, 12RD, 12RM.</p>	<p>500FT PENS.</p>				
	C0149NB	1UD401-N	6		
	C0149NM	1UD401-G	6		
	C0149NP	1UD401-B	6		
	C0149PV	1UD401-V	6		
	C0149TZ	1UD401-R	6		
	C0149NA	1UD402-N	6		
	C0149NN	1UD402-G	6		
	C0149NQ	1UD402-B	6		
	C0149PW	1UD402-R	6		
	C0149TD	1UD402-V	6		
	C0149NL	1UD403-V	6		
	C0149NR	1UD403-B	6		
	C0149NS	1UD403-N	6		
	C0149PT	1UD403-G	6		
	C0149TA	1UD403-R	6		
	C0149AA	1UD404-N	6		
	C0149PU	1UD404-B	6		
	C0149TB	1UD404-R	6		
	C0149TC	1UD404-G	6		
	C0149TF	1UD404-V	6		
	<p>1200FT PENS.</p>				
	L0121CJ	1UD441-R	6		
	L0121CK	1UD441-G	6		
	L0121CL	1UD441-B	6		
	L0121CM	1UD441-V	6		
	L0121CN	1UD441-N	6		
	L0121CH	1UD442-R	6		
	L0121CP	1UD442-G	6		
	L0121CO	1UD442-B	6		
L0121CR	1UD442-V	6			
L0121CS	1UD442-N	6			



Model	OEM Part	Our Equivalent	Pk	FOXBORO
	L0121CT L0121CU L0121CV L0121CW L0121CX	1UD443-R 1UD443-G 1UD443-B 1UD443-V 1UD443-N	6 6 6 6 6	
	L0121CY L0121CZ L0121DA L0121DB L0121DC	1UD444-R 1UD444-G 1UD444-B 1UD444-V 1UD444-N	6 6 6 6 6	
<p>CIRCLE CHART RECORDERS WHICH HAVE BEEN CONVERTED TO TAKE FTD PENS USING ARMS DIFFERENT TO THAT SUPPLIED BY THE OEM NEED TO USE OUR UD24 FTD SERIES PENS , SEE BELOW FOR DETAILS.</p>				
		1UD241-# 1UD242-# 1UD243-# 1UD244-#	6 6 6 6	
<p>UD24 FTD PENS ARE AVAILABLE IN A VARIETY OF COLOURS, EITHER B,G, N, R OR V.</p>				
740R	L0122AR L0122BP L0122CG L0122DB	1UD441-R 1UD442-V 1UD443-G 1UD444-B	2 2 2 2	



Model	OEM Part	Our Equivalent	Pk	FOXBORO	
MODEL 762	L0122KF	1MT91A-V	1		
	L0122JU	1MT911-B	1		
	L0122JW	1MT912-R	1		
	L0122JY	1MT913-G	1		
	L0122JV	1MT914-B	1		
	L0122JX	1MT915-R	1		
	L0122J	1MT916-G	1		
	342D	L0122JZ	1MT910-N	1	



Model	OEM Part	Our Equivalent	Pk	FOXBORO
	A0115AZ	2R852-MR	4	
	A0115BC	2R852-MV	4	
	C0137FK	2R852-GV	4	
	C0137YK (S/DRY)	2R852-GV03	4	
	F0104BR	2R852-RB	4	
	F0104CA C0137FX (S/DRY)	2R852-RB03	4	
	C0137KX C0137YE (S/DRY)	2R850-R 2R850-R03	4 4	
	C0137KZ C0137YS (S/DRY)	2R850-G 2R850-G03	4 4	
	F0104AA F0104BC (S/DRY)	2N300-B 2N300-B03	4 4	
	F0100BA F0100ZL F0100ZR F0104BK F0104BA (S/DRY)	2N300-G 2N300-G 2N300-G 2N300-G 2N300-G03	4 4 4 4 4	
	F0105CK	2N300-M	4	
	F0105BZ	2N300-N	4	
	C0132YA F0100AX F0100ZC F0104BF F0104AX (S/DRY)	2N300-R 2N300-R 2N300-R 2N300-R 2N300-R03	4 4 4 4 4	
	F0105BY	2N300-V	4	



Model	OEM Part	Our Equivalent	Pk	FOXBORO
	C0131LH C0131LM F0100BT F0100EP	3OZ1-B	1 1 1 1	
	C0131LA C0131LF F0100EN	3OZ1-G	1 1 1	
	C0131LK	3OZ1-N	1	
	C0131LB C0131LG F0100EL F0100TZ	3OZ1-R	1 1 1 1	
	C0131LJ	3OZ1-V	1	
	F0109EG	3OZ1EMPTY	1	
<div style="border: 1px solid black; padding: 5px; width: fit-content; margin: 0 auto;"> <p>THIS IS THE PART NUMBER FOR THE FOXBORO ORIGINAL. OUR BOTTLE IS SLIGHTLY DIFFERENT. PLEASE ENQUIRE BEFORE PLACING AN ORDER.</p> </div>				
	F0100FE F0100SW (Q/DRY)	3OZ16-B 3OZ16-B02	1 1	
	F0100FF F0100SL	3OZ16-G	1	
	F0100CN	3OZ16-M	1	
	F0100SR	3OZ16-N	1	
	F0100FL F0100SF (Q/DRY)	3OZ16-R 3OZ16-R02	1 1	
	F0100SN	3OZ16-V	1	

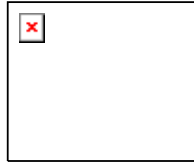
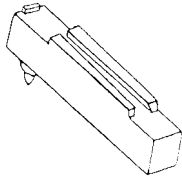


CROWN GRAPHIC

MARKING SYSTEMS CATALOGUE

JANUARY 2008

PAGE F11.01

Model	OEM Part	Our Equivalent	Pk	Dr. FREIDRICHS
9500 HYDROGRAPH 9600 THERMO- GRAPH. 9601 FERNTHERMO- GRAPH.		1SD12-B 1SD12-G 1SD12-N 1SD12-R 1SD12-V	6 6 6 6 6	
9700 THERMO- HYDROGRAPH. 9710 THERMO- HYGRORECORDER. 9800 BAROGRAPH.		1SD7-B 1SD7-G 1SD7-N 1SD7-R 1SD7-V	3 3 3 3 3	




CROWN GRAPHIC

MARKING SYSTEMS CATALOGUE

JANUARY 2008

PAGE G01.01

Model	OEM Part	Our Equivalent	Pk	GALLENKAMP
EUROSCRIBE	RDS-170-010	1CY5-N	4	
	RDS-170-020	1CY5-R	4	

GRAPHIC CONTROLS LTD, ST PETERS QUAY, TOTNES, DEVON, TQ9 5XH, UK

TEL : +44 (0)1803 860100 FAX : +44 (0)1803 863838 EMAIL : sales@crowng.com WEB : <http://www.crowng.com>

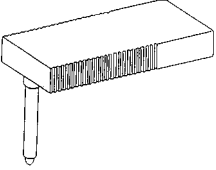


CROWN GRAPHIC

MARKING SYSTEMS CATALOGUE

JANUARY 2008

PAGE G02.01

Model	OEM Part	Our Equivalent	Pk	GENERAL ELECTRIC
	2157K90P001	1FD29C24-N	5	

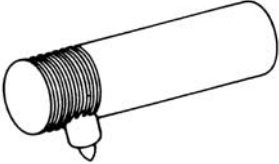


CROWN GRAPHIC

MARKING SYSTEMS CATALOGUE

JANUARY 2008

PAGE G03.01

Model	OEM Part	Our Equivalent	Pk	GENERAL RADIO
STRIP CHART RECORDERS 1521-B, 1522-DC, 1523, 1703.	1522-9614	1PB3-R01	5	
	1522-9615	1PB3-G01	5	
	1522-9616	1PB3-B01	5	
	SLOW SPEED PENS			
	1522-9634	1PB3-R01	5	
	1522-9635	1PB3-G01	5	
1522-9636	1PB3-B01	5		

GRAPHIC CONTROLS LTD, ST PETERS QUAY, TOTNES, DEVON, TQ9 5XH, UK

TEL : +44 (0)1803 860100 FAX : +44 (0)1803 863838 EMAIL : sales@crowng.com WEB : <http://www.crowng.com>

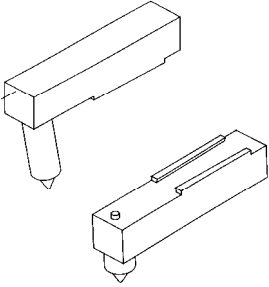


CROWN GRAPHIC

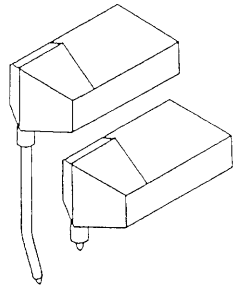
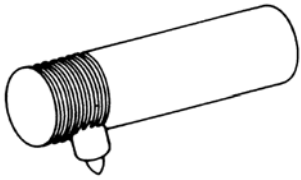

MARKING SYSTEMS CATALOGUE

JANUARY 2008

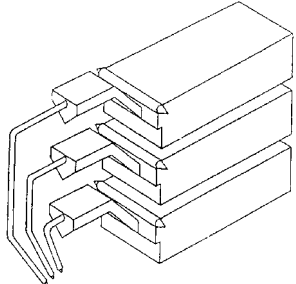
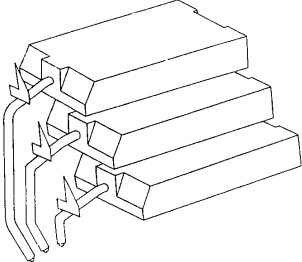
PAGE G04.01

Model	OEM Part	Our Equivalent	Pk	GERATETYP
	T6565	1SD91-N	2	
	T9220	1SD92-G	2	

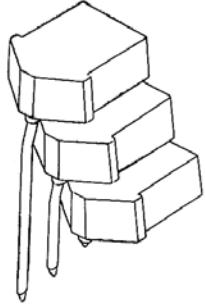
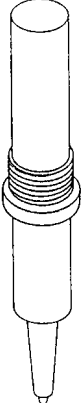


Model	OEM Part	Our Equivalent	Pk	GILSON
N1, N2.	37-27-11	1MT272-B	5	
	37-27-22	1MT271-R	5	
LINEAR STRIP RECORDERS.		1PB3-B03	5	
		1PB3-G03	5	
		1PB3-N03	5	
		1PB3-R03	5	
		1PB3-V03	5	
<div data-bbox="258 1482 826 1608" style="border: 1px solid black; padding: 5px; text-align: center;"> <p>THE CY4 RANGE IS AVAILABLE IN A VARIETY OF COLOURS, EITHER B,G,M,N,R OR V.</p> </div>		1CY4-#	5	
		1CY4P3-#	5	
		1CY4P5-#	5	
		1CY4P7-#	5	
		1CY4RB-#	5	
		1CY4FL-#	5	



Model	OEM Part	Our Equivalent	Pk	GIROUX-MESURES
PCTB144		1MT091-R	3	
PCTA144		1MT091-R	3	
		1MT092-B	3	
		1MT093-G	3	
GIRLINE144		1MT451-B	1	
		1MT452-R	1	
		1MT453-G	1	
		1MT451-R	1	
		1MT452-G	1	
		1MT453-B	1	



Model	OEM Part	Our Equivalent	Pk	GOERZ
SE110, SE111, 210, 310, 311, 321, 790.	GRZ195 5360 E74 ZB 536-74	1MT081-R	1	
300, 330, 430.	GRZ195 5360 E74 ZB 536-74	1MT081-R	1	
	GRZ195 5360 E75 ZB 536-75	1MT082-B	1	
	GRZ195 5360 E74 ZB 536-74	1MT081-R	1	
	GRZ195 5360 E75 ZB 536-75	1MT082-B	1	
	GRZ195 5360 E76 ZB 536-76	1MT083-G	1	
SERVIGOR X-Y, PLOTTERS 211, 731, 730, 732, 733, 740, 743.	GRZ195 5530 E00 ZB 553 R	1CY15-R	5	
	GRZ195 5530 E74 ZB 553 B	1CY15-B	5	
	GRZ195 5530 E75 ZB 553 S	1CY15-N	5	
	GRZ195 5530 E76 ZB 553 G	1CY15-G	5	


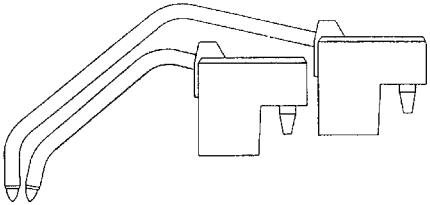



Model	OEM Part	Our Equivalent	Pk	GOERZ
SERVOGOR 281, 282, 283, 284 MULTIPEN PLOTTERS, SE780.	GRZ195 5880 E00	1CY10P5-R	5	
	GRZ195 5880 E74	1CY10P5-B	5	
	GRZ195 5880 E75	1CY10P5-N	5	
	GRZ195 5880 E76	1CY10P5-G	5	
	GRZ195 5880 E76A	1CY10P5-L	5	
	GRZ195 5880 E77	1CY10P5-M	5	
	GRZ195 5880 E78	1CY10P5-Y	5	
	GRZ195 5880 E79	1CY10P5-V	5	
	GRZ195 5880 E80	1CY10P5-A	5	
	GRZ195 5880 E81	1CY10P5-C	5	
<p>WE CAN ALSO SUPPLY OUR CY10 RANGE IN A P3, P7 OR RB TIP OPTION. FOR THE AVAILABLE COLOURS REFER TO THE P5 LISTING ABOVE.</p>				
SERVOGOR SE130, SE460, SE461, SE462, SE463.	GRZ195 6070 E74	1FD33-R	1	
	GRZ195 6070 E84 ZB 607-74 ZB 607-84			
	GRZ195 6070 E75	1FD33-B	1	
	GRZ195 6070 E85 ZB 607-75 ZB 607-85			
	GRZ195 6070 E76	1FD33-G	1	
	GRZ195 6070 E86 ZB 607-76 ZB 607-86			
	GRZ195 6070 E77	1FD33-N	1	
	GRZ195 6070 E87 ZB 607-77 ZB 607-87			
	GRZ195 6070 E78	1FD33-M	1	
	GRZ195 6070 E88 ZB 607-78 ZB 607-88			
GRZ195 6070 E79	1FD33-V	1		
GRZ195 6070 E89 ZB 607-79 ZB 607-89				
<p>OUR UNIQUE INK FORMULATION ALLOWS US TO SUPPLY ONE PEN TO COVER THE SLOW AND STD WRITING SPEED PENS, HENCE WHY THERE ARE TWO SETS OF NUMBERS FOR ONE PEN.</p>				







Model	OEM Part	Our Equivalent	Pk	GOERZ
SERVOGOR 921, 922, 961, 962,, K200, K600.	GRZ949 3200 E01	1MT231-V	2	
	GRZ949 3200 E02	1MT232-R	2	
	GRZ949 3200 E03	1MT233-N	2	
	GRZ949 3200 E04	1MT234-G	2	
	GRZ949 3200 E05	1MT235-B	2	
	GRZ949 3200 E06	1MT236-M	2	
LN100, GTA0101, GTA0102, GTA0103, GTA0201, GTA0202, GTA0203, GTA0951.	2.434.316.01 GTY243 4316 R01 GTY243 4316 R21	1MT251-R	1	
	2.434.316.02 GTY243 4316 R02 GTY243 4316 R22	1MT252-G	1	
	2.434.316.03 GTY243 4316 R03 GTY243 4316 R23	1MT253-B	1	
SERVOGOR S, RE 510, RE 530, RE 540.	GRZ195 3350 00 REL 5063	9GR01	1	
	<div style="border: 1px solid black; padding: 5px; width: fit-content; margin: 0 auto;"> <p>WE CAN SUPPLY FTD PENS TO REPLACE THE 9GR01 AS LISTED BELOW.</p> </div>			
	GRZ195 3220 E75 ZB 322/1 RT	1FD20-R	2	
	GRZ195 3220 E76 ZB 322/2 BL	1FD20-B	2	
GRZ195 3220 E74 ZB 322/3 GR	1FD20-G	2		



Model	OEM Part	Our Equivalent	Pk	GOERZ
SERVOGO 2S, RE 560, RE 570.				
LOWER METAL PEN	GRZ195 473 00 REL 5745/1 ZB473	9GR02	1	
UPPER METAL PEN	GRZ195 474 00 REL 5745/2 ZB474	9GR03	1	
CARTRIDGE	ZB477	2ZB01-R 2ZB01-B	4 4	
<div style="border: 1px solid black; padding: 5px; text-align: center;"> <p>WE CAN SUPPLY AN FTD PEN CONVERSION FOR THE ABOVE RECORDERS AS DETAILED BELOW. AS THIS CONVERSION WAS NEVER OFFERED BY THE OEM WE HAVE USED THE SAME PART NUMBERS AS THOSE USED FOR THE METAL PENS. A CONVERSION CLIP IS REQUIRED TO ADAPT EACH CHANNEL.</p> </div>				
LOWER CHANNEL	GRZ195 473 00 REL 5745/1 ZB473	1MT211-R	2	
UPPER CHANNEL	GRZ195 474 00 REL 5745/2 ZB474	1MT212-B	2	
CONV. CLIP	LD 571A	9K21	1	
SERVOGOR XY, RE551, RE556, SERVOGOR SB, RE639-649.	GRZ301 4325 E75 AT 4325 RT GRZ301 4325 E74 AT 4325 BL	1CY6-R 1CY6-B	5 5	



Model	OEM Part	Our Equivalent	Pk	GOERZ
METRACOMP LC, METRACOMP LCL, METRACOMP CM, METRACOMP KK, METRACOMP 60S.		2R850-R 2R850-B 2R850-G	4 4 4	
		1CY16-B 1CY16-G 1CY16-N 1CY16-R	5 5 5 5	
		1CY1-#01 1CY1FL-#01 1CY1P3-#01 1CY1P5-#01 1CY1P7-#01 1CY1RB-#01	3 3 3 3 3	
<div style="border: 1px solid black; padding: 5px; width: fit-content;"> <p>THE RANGE IS AVAILABLE IN A VARIETY OF COLOURS, EITHER A,B,C,G,M,N,O,R,V OR Y.</p> </div>				
SERVIGOR M, MINIGOR M, MINIGOR 510.	GRZ195 5050 E74 ZB 505 RT GRZ195 5050 E75 ZB 505 BL	1CY4-R 1CY4-B	5 5	

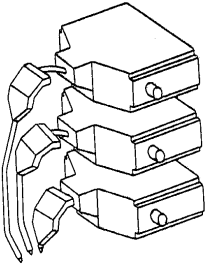


CROWN GRAPHIC

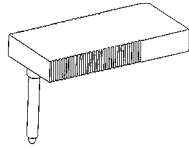
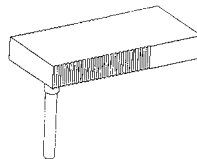
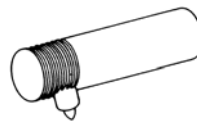
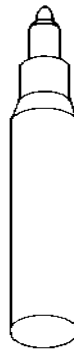
MARKING SYSTEMS CATALOGUE

JANUARY 2008

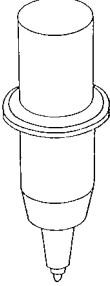
PAGE G08.01

Model	OEM Part	Our Equivalent	Pk	GOSSEN
	A6203 12020	1MT461-R	1	
	A6203 12021	1MT462-B	1	
	A6203 12022	1MT463-G	1	


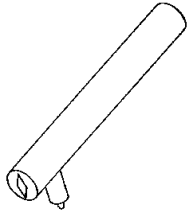
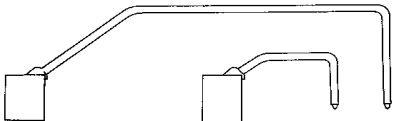


Model	OEM Part	Our Equivalent	Pk	GOULD BRUSH/MEDICAL
105	290862-2 290863-1 290863-2	1FD29C19-B 1FD29C32-R 1FD29C32-N	5 5 5	
SERIES 3050 XY, TYPES 3052, 3054, 3056.	295220-1 295220-2 295220-3 295220-4	1FD29R11-N 1FD29R11-B 1FD29R11-R 1FD29R11-G	5 5 5 5	
WE COULD PRODUCE PEN 12622 FOR THE SPIROMETER GIVEN A SAMPLE.				
	288316 288316 288316 288316	1PB3-N01 1PB3-R01 1PB3-B01 1PB3-G01	5 5 5 5	
	9-42658 9-42659 9-42660	1CY5-B 1CY5-N 1CY5-R	4 4 4	



Model	OEM Part	Our Equivalent	Pk	GRAPHMATE
TRIDENT COMPUTERS MODE 11, MODE 1, TYPE 3093.		1CY20P3-# 1CY20P5-# 1CY20P7-# 1CY20RB-#	5 5 5 5	
<p>THE CY20 RANGE IS AVAILABLE IN EITHER A,B,C,G,M,N,O,R,V OR Y.</p>				



Model	OEM Part	Our Equivalent	Pk	GRAPHTEC
DIGILOT 4671		1CY51P3-B 1CY51P3-G 1CY51P3-N 1CY51P3-R	4 4 4 4	
WX-400 SERIES X-Y RECORDER.		1CY16-B 1CY16-G 1CY16-N 1CY16-R	5 5 5 5	
WX441, WX441, WX446, WX451, SR6401, SR6402, SR6411, SR6421, SR700, SR701, SR701B, SR705, SR660, SR661.	P701R P701B P701BL P701G	1PB5-R 1PB5-N 1PB5-B 1PB5-G	5 5 5 5	
MULTICORDER SERIES MC6600, 611, 640, 641, 642, MC6602, MC6603-B, 6621, GP9011, 9411, PD9011.	KF111-R (SHORT) KF112-B KF113-V KF114-BRN KF115-BLU KF116-G (LONG)	1MT021-R 1MT022-N 1MT023-V 1MT024-M 1MT025-B 1MT026-G	1 1 1 1 1 1	

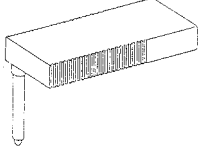
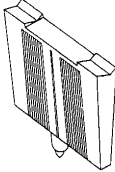
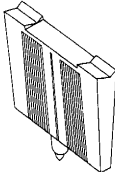


CROWN GRAPHIC

MARKING SYSTEMS CATALOGUE

JANUARY 2008

PAGE G11.02


Model	OEM Part	Our Equivalent	Pk	GRAPHTEC
WX1000, WX1100, WX1200, WX4401, WX4402, SERVO150 SR6511-1, SR6512- 1, SR6513-1.	KX103R KX104B KX103BL KX103GR	1FD29L09-R 1FD29L09-N 1FD29L09-B 1FD29L09-G	5 5 5 5	
WX4403, SERVO 150 SR6511-2, SR6512- 2, SR6513-2.	KX103R KX103B KX103BL KX103GR KX104B KX104R	1FD29L09-R 1FD29L09-N 1FD29L09-B 1FD29L09-G 1FD29L30-N 1FD29L30-R	5 5 5 5 5 5	
SR6201, SR6254.	KF101B KF101R	1FD29R09-N 1FD29R09-R	5 5	
SR6202, SR6255.	KF101B KF101R KF102R KF102B	1FD29R 09-N 1FD29R09-R 1FD29R30-R 1FD29R30-N	5 5 5 5	
WX4301, WX4302, SP242, WX2400, WX4302 (PLOTTERS)	KX106-RD KX106-BK	1FD18A-R 1FD18A-N	3 3	
MC6700, MC6800, MC6715, WX4421, WX4422.	KF200 KF210	1FD18B-# 1FD18C-#	3 3	
<p>THE ABOVE PENS CONTAIN INK WHICH IS EXTRA SLOW DRY INK. THE PENS ARE AVAILABLE IN ANY OF TEN COLOURS, EITHER A,B,C,G,M,N,O,R,V OR Y.</p>				



Model	OEM Part	Our Equivalent	Pk	GRAPHTEC
PLOTTERS MP1000, DA8400, WX4633, WX4635, WX4636, WX4637, WX4638, WX4675, WX4731 DRUM PLOTTER.	KF521-RD	1CY23P3-R	5	
	KF522-BK	1CY23P3-N	5	
	KF523-VT	1CY23P3-V	5	
	KF524-BR	1CY23P3-M	5	
	KF525-BL	1CY23P3-B	5	
	KF526-GR	1CY23P3-G	5	
	KF527-OR	1CY23P3-O	5	
	KF528-PK	1CY23P3-A	5	
	N/A	1CY23P3-C	5	
	N/A	1CY23P3-Y	5	
	KF520-S6	1CY23P3MIX01 (2x N, 1x RBG)	5	
	KF529-S2	1CY23P3MIX02 (1x NVMOA)	5	
	KB531-RD	1CY23RB-R	5	
	KB532-BK	1CY23RB-N	5	
	KB533-VT	1CY23RB-V	5	
	KB534-BR	1CY23RB-M	5	
	KB535-BL	1CY23RB-B	5	
	KB536-GR	1CY23RB-G	5	
	KB537-OR	1CY23RB-O	5	
	KB538-PK	1CY23RB-A	5	
	N/A	1CY23RB-C	5	
	N/A	1CY23RB-Y	5	
	KB530-S1	1CY23RBMIX01 (2x N, 1x RBG)	5	

THE CY23 RANGE IS ALSO AVAILABLE WITH A P5 TIP IN THE ABOVE COLOURS, HOWEVER WE RECOMMEND THE USE OF P3 FOR MOST APPLICATIONS DUE TO THE BETTER WEAR CHARACTERISTICS AND RESULTING CONSISTENCY OF LINE WIDTH.



Model	OEM Part	Our Equivalent	Pk	GRAPHTEC
WX1500, MP3100, MP3200, MP2000, MP3400, MP3300, BUSI-PLOT DA6500, DA6100A, DIGI- PLOT JUNIOR, FP5301, FP5301-R, PIXY-I, PIXY-III, FP5303-R/T, FP5201, FP5201-R, GP9001, GP9101/R, GP110, FP5301/T, FD9111, PD9011, GP9101, PD9311, PD9411/F.	KF551-RD	1CY28P3-R	5	
	KF552-BK	1CY28P3-N	5	
	KF553-VT	1CY28P3-V	5	
	KF554-BR	1CY28P3-M	5	
	KF555-BL	1CY28P3-B	5	
	KF556-GR	1CY28P3-G	5	
	KF557-OR	1CY28P3-O	5	
	KF558-PK	1CY28P3-A	5	
	KF550-S1	1CY28P3MIX01 (2x N, 1x RBG)	5	
	KF559-S2	1CY28P3MIX02 (NVMOA)	5	
	KF550-F8	1CY28P3MIX03 (NRVMBGOA)	8	
	KB541-RD	1CY28RB-R	5	
	KB542-BK	1CY28RB-N	5	
	KB543-VT	1CY28RB-V	5	
	KB544-BR	1CY28RB-M	5	
	KB545-BL	1CY28RB-B	5	
	KB546-GR	1CY28RB-G	5	
	KB547-OR	1CY28RB-O	5	
	KB548-PK	1CY28RB-A	5	
	KB540-S1	1CY28RBMIX01 (2x N, 1x RGB)	5	
	KB540-S8	1CY28RBMIX03 (NRMVBGOA)	8	

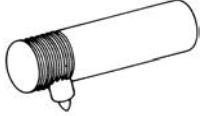


CROWN GRAPHIC

MARKING SYSTEMS CATALOGUE

JANUARY 2008

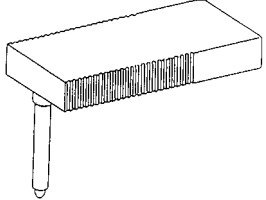
PAGE G12.01

Model	OEM Part	Our Equivalent	Pk	GRASON STADLER
RECTANGULAR CHART RECORDER.	1703-9665 1703-9666 1703-9667	1PB3-R01 1PB3-G01 1PB3-B01	5 5 5	
	1710-9665 1710-9666 1710-9667 1710-9668	1CY5-R 1CY5-G 1CY5-B 1CY5-N	4 4 4 4	

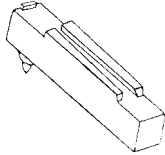
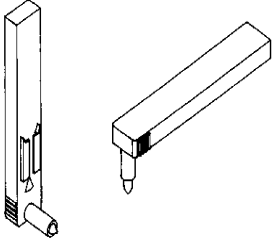
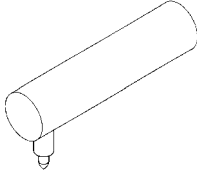
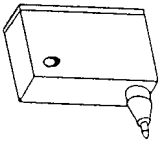
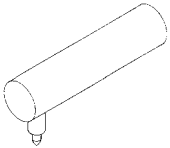




Model	OEM Part	Our Equivalent	Pk	GULTON
	PA-500-BLK	1FD29R03-N	5	
	PA-500-RED	1FD29R03-R	5	
	PA-500-BLU	1FD29R03-B	5	
	PA-500-GRN	1FD29R03-G	5	
	PA-500-VIO	1FD29R03-V	5	
		1FD29C03-N	5	
		1FD29C03-R	5	
		1FD29C03-B	5	
		1FD29C03-G	5	
		1FD29C03-V	5	
		1FD29L20-N	5	
		1FD29L20-R	5	
		1FD29L20-B	5	
		1FD29L20-G	5	
		1FD29L20-V	5	
	PE-500-BLK	1FD29R48-N	5	
	PE-500-RED	1FD29R48-R	5	
	PE-500-BLU	1FD29R48-B	5	
	PE-500-GRN	1FD29R48-G	5	
	PE-500-VIO	1FD29R48-V	5	

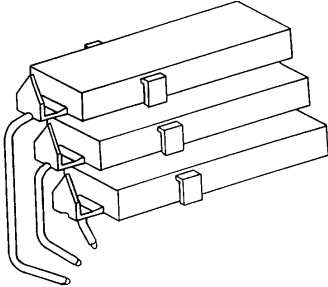
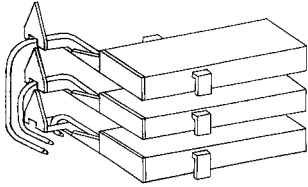


Model	OEM Part	Our Equivalent	Pk	HAAKE
	21-01-910 21-01-912 21-01-913	1FD29C13-N 1FD29C13-R 1FD29C13-B	5 5 5	



Model	OEM Part	Our Equivalent	Pk	HAENNI
KRK501, KRK508.	A 7604-I A07604-0002	1SD7-B	3	
NG-180, NG-300.	FESCH10/1	1UD202-B	6	
RB...	FESCH11/2 FESCH11/1	1PB7-B11 1PB7-R11	6 6	
		1SD5-R 1SD5-B	6 6	
	FESCH12/1	1PB7-B03	6	
		1CY7-B 1CY7-N 1CY7-R 1CY7-V	6 6 6 6	
		2N100-B 2N100-G 2N100-N 2N100-R 2N100-V	4 4 4 4 4	

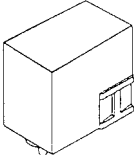
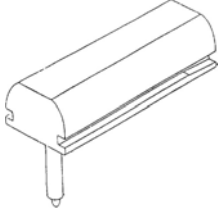




Model	OEM Part	Our Equivalent	Pk	HARTMANN & BRAUN
LINECOMP SK11	42105-4-0807990 43105-4-0807990	1MT771-B	1	 <p>1MT77</p>
LINECOMP SK12, MINICOMP EK/SK21, EK/SK22, VL./144K, VL2/144C, MULTAVI 62.	42105-4-0807990 43105-4-0807990 42105-4-0807987 43105-4-0807987	42105-4-0807990 43105-4-0807990 42105-4-0807987 43105-4-0807987	1 1	
LINECOMP SK13, MINICOMP EK/SK11, EK/SK12, EK/SK13, VL./144C, VL./144E, VL3/144C.	42105-4-0807990 43105-4-0807990	1MT771-B	1	 <p>1MT89</p>
	42105-4-0807988 43105-4-0807988	1MT772-R	1	
	42105-4-0807989 43105-4-0807989	1MT773-G	1	
LINECOMP SK22.	42105-4-0807990 43105-4-0807990	1MT771-B	1	
	43305-4-0874407	1MT891-B	1	
LINECOMP SK24.	42105-4-0807990 43105-4-0807990	1MT771-B	1	
	42105-4-0807987	1MT774-R	1	
	43305-4-0874407	1MT891-B	1	
	43305-4-0874409	1MT894-R	1	

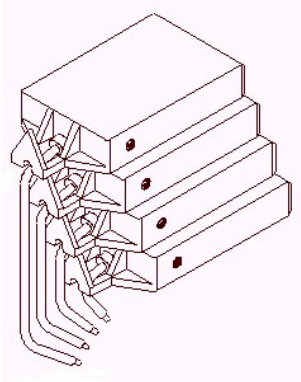
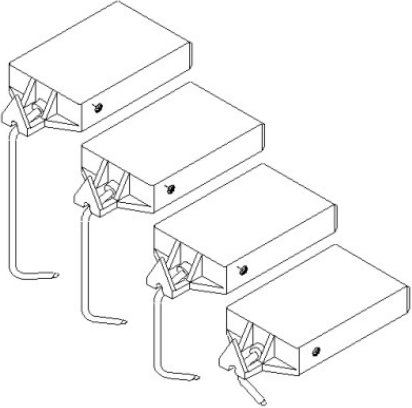


Model	OEM Part	Our Equivalent	Pk	HARTMANN & BRAUN
LINECOMP SK26.	42105-4-0807990 43105-4-0807990	1MT771-B	1	<p>1MT77</p> <p>1MT89</p>
	42105-4-0807988 43105-4-0807988	1MT772-R	1	
	42105-4-0807989 43105-4-0807989	1MT773-G	1	
	43305-4-0874407	1MT891-B	1	
	43305-4-0874408	1MT892-R	1	
	43305-4-0874410	1MT893-G	1	
LINECOMP SK33	42105-4-0807990	1MT771-B	1	
POLYCOMP R (MODELS D, F & H), LINECOMP R (MODELS C,D,F & H).	42805-5-8008436	1FD21-N	10	
	42805-5-8008437	1FD21-B	10	
	42805-5-8008438	1FD21-R	10	
	42805-5-8008439	1FD21-G	10	
	42805-5-8008440	1FD21-M	10	
	42805-5-8008441	1FD21-V	10	
	42805-5-8008450	1FD21-A	10	
	42805-5-8008451	1FD21-O	10	
88, 3/288, ARL 144, 192, 288, RN12, RL12, RN25, ERSN12, ERN12, ERST12.		2ZB03-R	4	
		2ZB03-B	4	
		2ZB03-G	4	



Model	OEM Part	Our Equivalent	Pk	HARTMANN & BRAUN
LINECOMP. (MANUFACTURED BEFORE MARCH '79)	42705-4-0869012	1SD4-B	10	
(MANUFACTURED AFTER APRIL '79)	42705-4-0883557 42705-4-0883558	1SD3101-B 1SD3101-R	6 6	
MINICOMP L, RL12, RN12, RN25, ERSN12, ERL12, ERN12, ERN25, ERST12, ERSL12, ELN25, RF10, R144, RK5.	42505-4-8008489	1CY7-R	6	
		2N100-B 2N100-G 2N100-N 2N100-R 2N100-V	4 4 4 4 4	



Model	OEM Part	Our Equivalent	Pk	HARTMANN & BRAUN
MINICOMP MK41, MK42, MK43, MK44, MINICOMP AK, MINICOMP LK, 1-4 CHANNEL RECORDER	0319134	1MX211-V	1	
	0319133	1MX212-B	1	
	0319132	1MX213-R	1	
	0319131	1MX214-G	1	
MINICOMP MK41, MK42, MK43, MINICOMP LK 1-3 CHANNEL RECORDER	0319133	1MX212-B	1	
	0319132	1MX213-R	1	
	0319131	1MX214-G	1	
	0319135	1MX21A-V	1	
LINEMASTER 100.	43482-0319134	1MX211-V	1	
	43482-0319134	1MX212-B	1	
	43482-0319132	1MX213-R	1	
	43482-0319131	1MX214-G	1	
MINICOMP MK31, MK32, MK33 1-3 CHANNEL RECORDER	0319165	1MX241-B	1	
	3019167	1MX242-R	1	
	3019168	1MX244-G	1	
MINICOMP MK31, MK32, 1-2 CHANNEL RECORDER WITH PRINTER	0319195	1MX242-B	1	
	0319196	1MX244-R	1	
	0319135	1MX21A-V	1	
MINICOMP MK21, MK22, 1-2 CHANNEL RECORDER	0319165	1MX241-B	1	
	0319166	1MX243-R	1	
MINICOMP MK21 1 CHANNEL RECORDER WITH PRINTER	0319197	1MX243-B	1	
	0319135	1MX21A-V	1	

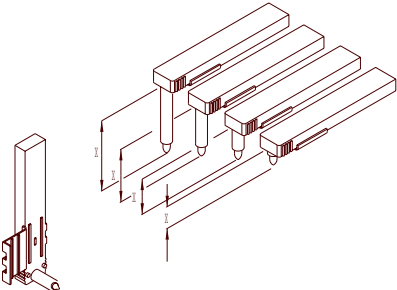
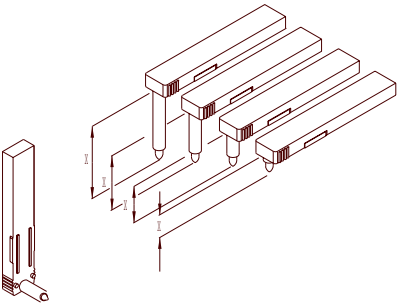


CROWN GRAPHIC

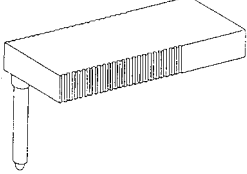
MARKING SYSTEMS CATALOGUE

JANUARY 2008

PAGE H04.01

Model	OEM Part	Our Equivalent	Pk	HAYS REPUBLIC
USED ON EARLY MODELS OF 771 & 2100'S.	1062-233 1062-234 1062-235 1062-236	1UD241-R 1UD242-G 1UD243-B 1UD244-V	6 6 6 6	
USED ON MODELS 771 & 2100 AFTER 1980/81, THAT WILL NOT ACCEPT THE UD24 SERIES LISTED ABOVE.	1062-248 1062-249 1062-250 1062-251	1UD231-G 1UD232-R 1UD233-B 1UD234-V	2 2 2 2	



Model	OEM Part	Our Equivalent	Pk	HC ELECTRONICS
	6943 6944 6945	1FD29L20-N 1FD29L20-B 1FD29L20-G	5 5 5	

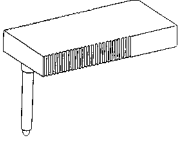
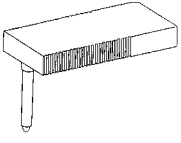
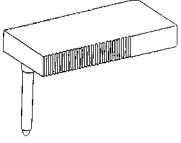


CROWN GRAPHIC

MARKING SYSTEMS CATALOGUE

JANUARY 2008

PAGE H06.01

Model	OEM Part	Our Equivalent	Pk	HEATH CONSULTANTS
SR-205, SR206.	406-657 SU-205-7	1FD29C03-B	5	
SR-207	406-658 SU-205-5	1FD29C32-R	5	
	406-659 SU-205-6	1FD29C03-R	5	
	406-660 SU-205-4	1FD29C32-B	5	
	406-661 SU-205-3	1FD29C32-R	5	

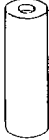
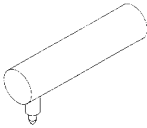
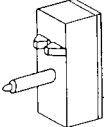


CROWN GRAPHIC

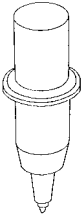
MARKING SYSTEMS CATALOGUE

JANUARY 2008

PAGE H07.01

Model	OEM Part	Our Equivalent	Pk	Dr. HENSCHEN
		2N100-B 2N100-G 2N100-N 2N100-R 2N100-V	4 4 4 4 4	
		1PB7-B03 1PB7-R03 1PB7-N03	6 6 6	
		1SD32-B 1SD32-G 1SD32-N 1SD32-R 1SD32-V	6 6 6 6 6	

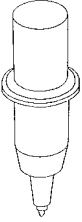
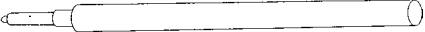
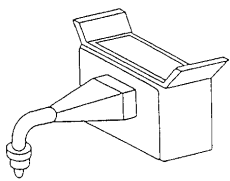


Model	OEM Part	Our Equivalent	Pk	HEWLETT PACKARD
<div style="border: 1px solid black; padding: 5px; width: fit-content; margin: 0 auto;"> <p>THE CY20 PEN RANGE LISTED BELOW ARE FOR USE ON PAPER AND (EXCEPT IN THE CASE OF ROLLERBALL PENS) COATED OHP FILMS.</p> </div>				
COLOURPRO 7440, DRAFTMASTER I 7595AD, DRAFTMASTER II 7596AD, DRAFTPRO 7570A, DRAFTPRO DXL 7575A, DRAFTPRO EXL 7576A, 7090A, 7220A, 7220C, 7220S, 7220T, 7221A, 7221B, 7221C, 7221S, 7221T, 7225A, 7225B, 7400, 7470A, 7475A, 7550A, 7575, 7576, 7580A, 7580B, 7585A, 7585B, 7586B, 7595, 7596, 7872A, 9872B, 7872C, 9872S, 9872T.	17841P 5060-6784	1CY20P3-R	5	
	17831P 5060-6785	1CY20P3-B	5	
	17827P 5060-6786	1CY20P3-G	5	
	17825P 5060-6787	1CY20P3-N	5	
	17839P	1CY20P3-O	5	
	17835P	1CY20P3-M	5	
	17833P	1CY20P3-V	5	
	17829P	1CY20P3-C	5	
	17843P	1CY20P3-A	5	
	17837P	1CY20P3-Y	5	
	5060-6810	1CY20P3MIX01 (1x RBGN)	4	
	5060-6894	1CY20P3MIX02 (1x VMOAYC)	6	
	17845P	1CY20P3MIX10 (1x NRBGY)	5	
	17847P	1CY20P3MIX11 (1x NBGVC)	5	
	17849P	1CY20P3MIX09 (1x RMYOA)	5	





Model	OEM Part	Our Equivalent	Pk	HEWLETT PACKARD
		1CY20P5-A	5	
		1CY20P5-B	5	
		1CY20P5-C	5	
		1CY20P5-G	5	
		1CY20P5-M	5	
		1CY20P5-N	5	
		1CY20P5-O	5	
		1CY20P5-R	5	
		1CY20P5-V	5	
		1CY20P5-Y	5	
	17842P 5060-6893	1CY20P7-R	5	
	17832P 5060-6891	1CY20P7-B	5	
	17828P 5060-6892	1CY20P7-G	5	
	17826P 5060-6890	1CY20P7-N	5	
	17844P	1CY20P7-A	5	
	17830P	1CY20P7-C	5	
	17836P	1CY20P7-M	5	
	17840P	1CY20P7-O	5	
	17834P	1CY20P7-V	5	
	17838P	1CY20P7-Y	5	
	5060-6858	1CY20P7MIX01 (1x RGBN)	4	
	17846P	1CY20P7MIX10 (1x NRBGY)	5	
	17848P	1CY20P7MIX11 (1x NBGVC)	5	
	17850P	1CY20P7MIX09 (1x NMYOA)	5	

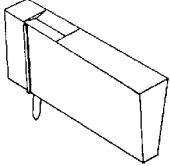
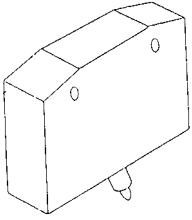



Model	OEM Part	Our Equivalent	Pk	HEWLETT PACKARD
	5061-5034 5061-5036 5061-5035 5061-5033	1CY20RB-R 1CY20RB-B 1CY20RB-G 1CY20RB-N 1CY20RB-A 1CY20RB-C 1CY20RB-M 1CY20RB-O 1CY20RB-V 1CY20RB-Y	5 5 5 5 5 5 5 5 5 5	
<p>NOTE : THE OEM RB PENS HAVE IN SOME CASES A LONGER BODY THAN THEIR OTHER PENS. WE USE THE STD LENGTH BODY FOR ALL PENS IN THIS RANGE.</p>				
<p>OUR COLOUR RANGE SLIGHTLY DIFFERS FROM HP'S AS WE OFFER MAGENTA & YELLOW BUT NOT GOLD. OUR CYAN EQUATES WITH THEIR TURQUOISE.</p>				
25, 35.		1CY19-B 1CY19-G 1CY19-N 1CY19-R	5 5 5 5	
PAGE WRITER PENS.	4700AH-K01-001/020 4700AH-K02-001/020	1MT802-B 1MT801-N	5 5	



Model	OEM Part	Our Equivalent	Pk	HEWLETT PACKARD
7004B, 7005B, 7010A, 7015A, 7034A, 7035B, 7040B, 7041A, 7044A, 7045A, 7200, 7201, 7202, 7203, 7230, 7210, 9125, 9862.	5081-1190	1CY14P5-R	5	
	5080-7979	1CY14P5-B	5	
	5081-1191	1CY14P5-G	5	
	5080-7980	1CY14P5-N	5	
	5081-1192	1CY14P5-A	5	
	5080-7981	1CY14P5-C	5	
	5081-1193	1CY14P5-M	5	
		1CY14P5-O	5	
		1CY14P5-V	5	
		1CY14P5-Y	5	
		1CY14P3-#	5	
		1CY14P7-#	5	
		1CY14RB-#	5	
<div style="border: 1px solid black; padding: 5px; width: fit-content; margin: 0 auto;"> <p>FOR AVAILABLE COLOURS IN THE P3, P7 AND RB RANGE PLEASE REFER TO THE P5 LISTING ABOVE.</p> </div>				
	1530-0705	2N300-N	4	
	1530-0984	2N300-V	4	
	1530-1024	2N300-R	4	
	1530-1025	2N300-G	4	
	1530-1034	2N300-B	4	



Model	OEM Part	Our Equivalent	Pk	HILGER ANALYTICAL
	52162072 52162073 52162074 52162075 52162076 52162071	1FD21-B 1FD21-R 1FD21-G 1FD21-M 1FD21-V 1FD21-N	10 10 10 10 10 10	
	AX6032-S005 AX6032-S006	1SD20-G 1SD20-R	10 10	
<div data-bbox="261 1367 846 1457" style="border: 1px solid black; padding: 5px; width: fit-content; margin: 0 auto;"> <p>THE CY4 RANGE LISTED ABOVE IS AVAILABLE IN EITHER B,G,N,R OR V.</p> </div>		1CY4FL-# 1CY4P3-# 1CY4P5-# 1CY4P7-# 1CY4RB-#	5 5 5 5	




CROWN GRAPHIC

MARKING SYSTEMS CATALOGUE

JANUARY 2008

PAGE H10.01

Model	OEM Part	Our Equivalent	Pk	HIRSCHMANN
ELVOGRAPH, ELSCRIPT.		1CY8-R 1CY8-B 1CY8-N	6 6 6	

GRAPHIC CONTROLS LTD, ST PETERS QUAY, TOTNES, DEVON, TQ9 5XH, UK

TEL : +44 (0)1803 860100 FAX : +44 (0)1803 863838 EMAIL : sales@crowng.com WEB : http://www.crowng.com

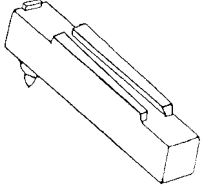


CROWN GRAPHIC

MARKING SYSTEMS CATALOGUE

JANUARY 2008

PAGE H11.01

Model	OEM Part	Our Equivalent	Pk	J.S. HOLDINGS
BAROGRAPHS, HYGROGRAPHS, THERMOHYGRO- GRAPHS.	JS 12-00	1SD7-V 1SD7-B 1SD7-G 1SD7-N 1SD7-R	3 3 3 3 3	

GRAPHIC CONTROLS LTD, ST PETERS QUAY, TOTNES, DEVON, TQ9 5XH, UK

TEL : +44 (0)1803 860100 FAX : +44 (0)1803 863838 EMAIL : sales@crowng.com WEB : http://www.crowng.com

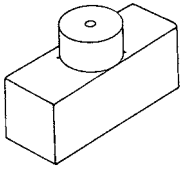
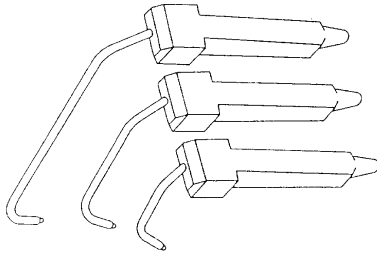
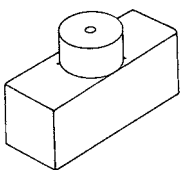
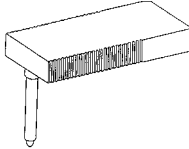


Model	OEM Part	Our Equivalent	Pk	HONEYWELL
<p>ANY HONEYWELL CIRCULAR CHART RECORDER ALREADY USING FTD PENS CAN BE FITTED WITH THE FOLLOWING PENS WITHOUT THE NEED FOR CONVERSION ARMS.</p>				
MODEL TYPES 22, 45, 60, 70.	<p>RECORDERS FITTED WITH THE OEM PEN HOLDER.</p>			
1CH.	30735441-001	1UD202-V	6	
2CH.	30735441-001	1UD202-V	6	
	30735441-006	1UD203-G	6	
2CH. WITH SCALE	30735441-005	1UD201-R	6	
	30735441-003	1UD202-G	6	
2CH WITH "CAM CONTROL"	30735441-005	1UD201-R	6	
	30735441-003	1UD202-G	6	
3CH	30735441-005	1UD201-R	6	
	30735441-001	1UD202-V	6	
	30735441-006	1UD203-G	6	
4CH.	30735441-004	1UD201-B	6	
	30735441-002	1UD202-R	6	
	30735441-003	1UD202-G	6	
	30735441-007	1UD203-V	6	
TYPE 1112 & 152.	30735441-001	1UD201-V	6	

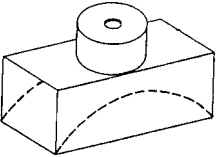
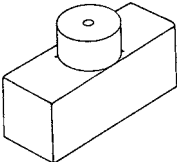
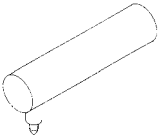
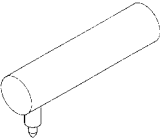
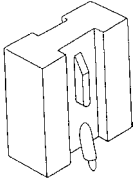


Model	OEM Part	Our Equivalent	Pk	HONEYWELL
<div style="border: 1px solid black; padding: 5px; display: inline-block;"> FOR RECORDERS WHICH HAVE BEEN CONVERTED BUT DO NOT HAVE THE OEM PEN HOLDER. </div>				
1CH.	30735489-001	1UD242-V	6	
2CH.	30735489-001	1UD242-V	6	
	30735489-006	1UD243-G	6	
2CH. WITH SCALE	30735489-005	1UD241-R	6	
	30735489-003	1UD242-G	6	
2CH WITH "CAM CONTROL"	30735489-005	1UD241-R	6	
	30735489-003	1UD242-G	6	
3CH.	30735489-005	1UD241-R	6	
	30735489-001	1UD242-V	6	
	30735489-006	1UD243-G	6	
4CH.	30735489-004	1UD241-B	6	
	30735489-002	1UD242-R	6	
	30735489-003	1UD242-G	6	
	30735489-007	1UD243-V	6	
TYPE 1112 & 152.	30735489-001	1UD241-V	6	



Model	OEM Part	Our Equivalent	Pk	HONEYWELL
VUTRONIK RECORDERS (CAPILLARY SYST).	30682002-001 30682002-002 30682002-003 30682896-001 30682898-001 30382898-001 30682895-001	2S411-R 2S411-B 2S411-G 9H004 TIP TOOL 4H10019735	4 4 4 1 4 4 10	
TDC2000, VUTRONIK RECORDERS.	30750524-001 30750524-004 30750265-001 30750524-002 30750524-005 30750265-002 30750524-003 30750524-006 30750265-003	1MT341-R 1MT342-B 1MT343-G	6 6 1 6 6 1 6 6 1	
CLASS 19	687598-001 687598-004 687598-00 687598-006 687598-007 687598-008	2S411-V 2S411-R 2S411-B 2S411-G 2S411-M 2S411-N	4 4 4 4 4 4	
AFB...	733247-1 24400055-001 733247-2 24400056-001	1FD29C09-B 1FD29C32-R	5 5	



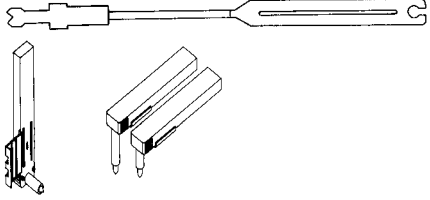
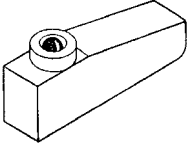


Model	OEM Part	Our Equivalent	Pk	HONEYWELL
CLASS 19 TECHNICON RECORDER.	30730652-001	2S501-V	4	
	30730652-003 787271-1	2S501-G	4	
	30730652-002 787271-2	2S501-R	4	
VUTRONIK, PTOS & LAB RECORDERS.	787974-501 30682002-1	2S411-R	4	
	787974-502 30682002-2	2S411-B	4	
	787974-503 30682002-3	2S411-G	4	
SERVOLINE 5060, CLASS 45.		1PB721.5MM-B	6	
		1PB721.5MM-G	6	
		1PB721.5MM-N	6	
		1PB721.5MM-R	6	
		1PB721.5MM-V	6	
ELECTRONIC 15, SERIES 152.	49788551-001	1PB7-V03	6	
UNKNOWN MODEL OF FRENCH ORIGIN.	46171508-001 46171508-002	1SD21-R 1SD21-B	6 6	



Model	OEM Part	Our Equivalent	Pk	HONEYWELL
TEL-O-SET 703-723 RECORDERS.		1MX031-B 1MX032-R	3 3	
DMR7800	49789807-001 49789807-501 49789807-002 49789807-502 49789807-003 49789807-503 49789807-004 49789807-504 49789807-005 49789807-505 49789807-006 49789807-506	1FD35-V 1FD35-R 1FD35-N 1FD35-G 1FD35-B 1FD35-M	6 6 6 6 6	
FB70, FB80, FB100, FB110. 1 CH RECORDERS.		1MT272-B	5	
FB90, FB120. 2 CH RECORDERS.		1MT271-R 1MT272-B	5 5	



Model	OEM Part	Our Equivalent	Pk	HONEYWELL
5060 REC/CONTROLLER, CLASS 15/SERVOLINE.	383341-001	9H001	1	 2N500  2N200
	383341-002	9H002	1	
	30383348-001	2N500-B	4	
	30383349-002	2N500-R	4	
	383349-001	9H003 (ROL)	1	
	30661715-1	2N300-V03 (SD)	4	
	30661715-2	2N300-G03(SD)	4	
	30661715-3	2N300-R03	4	
	30661715-4	(SD)	4	
	30779282-1	2N300-B03 (SD)	4	
30779282-2	3N300-B 2N300-R	4		
<div style="border: 1px solid black; padding: 5px; width: fit-content; margin: 0 auto;"> TO CONVERT THE ABOVE RECORDERS TO OUR UD24 FTD PEN SERIES USE THE PARTS LISTED BELOW. </div>				
	383341-001 CENTRE	9KUD195 1UD242-#	1 6	
	383341-002 OUTER	9KUD196 1UD243-#	1 6	
<div style="border: 1px solid black; padding: 5px; width: fit-content; margin: 0 auto;"> UD24'S ARE AVAILABLE IN B,G,N,R OR V. </div>				
VUMATIK	788478-501	2R402-R	10	
	787784-1			
	788478-502	2R402-B	10	
	787784-2			
	788478-503	2R402-G	10	
	787784-3			
	49787878-001	9R402OL	1	

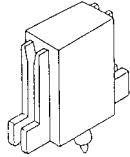
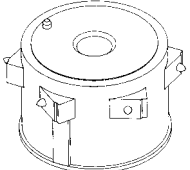
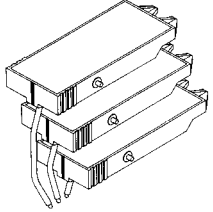


CROWN GRAPHIC

MARKING SYSTEMS CATALOGUE

JANUARY 2008

PAGE H12.07

Model	OEM Part	Our Equivalent	Pk	HONEYWELL
MINIPRINT RECORDER.	46180185-501 46180185-001	1SD22-R	6	
	46180185-502 46180185-002	1SD22-B	6	
DPR100B, DPR1000	46180501-001	6PW1401	1	
DPR100, DPR100A	46187001-001	1MX151-B	1	
	46187001-002	1MX152-R	1	
	46187001-003	1MX153-G	1	


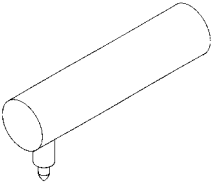


CROWN GRAPHIC

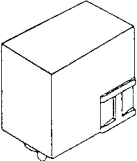
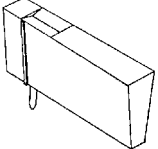
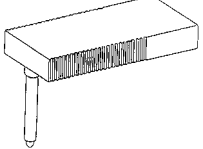
MARKING SYSTEMS CATALOGUE

JANUARY 2008


PAGE H13.01

Model	OEM Part	Our Equivalent	Pk	Dr. HORN
		2N100-B 2N100-G 2N100-N 2N100-R 2N100-V	4 4 4 4 4	
ES 198X288		1PB7-B03 1PB7-G03 1PB7-N03 1PB7-R03 1PB7-V03	6 6 6 6 6	

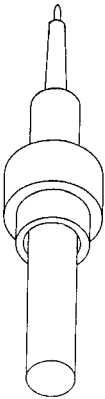
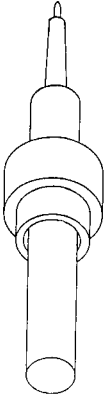


Model	OEM Part	Our Equivalent	Pk	HOUSTON	
ONIGRAPHIC SERIES 100 X-Y, 2000 X-Y, 3000 Y, 2-3000 Y1-Y2, 4000 T-Y, CONVERTED 6450, 6452, 6520, 6540 X-Y, HRC CARD RECORDER, CALCOMP DP-10 X-Y 4090 T-Y.	P-40 MPE500	1SD4-R	10		
	P-41 MPE502	1SD4-B	10		
	P-42 MPE503	1SD4-G	10		
	P-43 MPE501	1SD4-N	10		
	P-52	1SD4MIX01 (5x N, 5x R)	10		
		1SD4-V 1SD4-M	10 10		
45000 MICROSCRIBE	MP-662 SHORT	1SD371-R	6		
	MP-663	1SD371-B	6		
	MP-664	1SD371-N	6		
	MP-665	1SD371-G	6		
	MP-666 LONG	1SD372-R	6		
	MP-667	1SD372-B	6		
	MP-668	1SD372-N	6		
	MP-669	1SD372-G	6		
CPS20.	MP-450	1FD21-R	10		
	MP-451	1FD21-B	10		
	MP-452	1FD21-N	10		
	MP-453	1FD21-G	10		
SUPERSCRIBE SERIES 4900 TYPES 4910, 4950, 4990.	MP-513	1FD29C09-R	5		
	MP-514	1FD29C09-N	5		
	MP-515	1FD29C09-G	5		
	MP-516	1FD29C09-B	5		
	MP-517	1FD29C32-R	5		
	MP-518	1FD29C32-N	5		
	MP-519	1FD29C32-G	5		
	MP-520	1FD29C32-B	5		

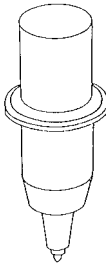


Model	OEM Part	Our Equivalent	Pk	HOUSTON
OMNISCRIBE A5000, B5000, D5000 SERIES, COMPLOT DP-10, DP-101, MODIFIED ONIGRAPHIC 100 SERIES, DMP2, DMP3, DMP4, DMP5, DMP6, DMP7, OMNISCRIBE 5110-1 & 2 PEN.	MP-69 MP-64 MP-494 MP-532	1CY5-N	4	
	MP-70 MP-63 MP-495 MP-533	1CY5-R	4	
	MP-71 MP-66 MP-496 MP-535	1CY5-G	4	
	MP-72 MP-67 MP-497 MP-534	1CY5-B	4	
	MP-65 MP-499	1CY5MIX28 (2x N, 2x R)	4	
	MP-68 MP-498	1CY5MIX01 (1x NRGB)	4	
		1CY5-A	4	
		1CY5-C	4	
		1CY5-M	4	
		1CY5-O	4	
		1CY5-V	4	
		1CY5-Y	4	
	MP-77 MP-78 MP-79 MP-80	1CY5FL-R 1CY5FL-N 1CY5FL-G 1CY5FL-B	4 4 4 4	
	MP-563 MP-564 MP-565 MP-566	1CY5RB-N 1CY5RB-R 1CY5RB-G 1CY5RB-B	4 4 4 4	

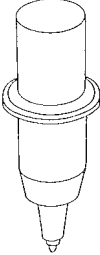


Model	OEM Part	Our Equivalent	Pk	HOUSTON
DMP2, DMP3, DMP4 DMP5, DMP7, DMP29 DMP40, DMP41, DMP42, DMP50, DMP51, DMP51MP, DMP52, DMP52MP, DMP55, DMP55B, DMP56B, DMP56E, DMP60 SERIES, DMP61, DMP62, CPS20.	MP-581 MP-630	1CY10P3-R	5	
	MP-582 MP-631	1CY10P3-B	5	
	MP-583 MP-632	1CY10P3-G	5	
	MP-584 MP-633	1CY10P3-V	5	
	MP-585 MP-634	1CY10P3-M	5	
	MP-586 MP-635	1CY10P3-O	5	
	MP-587 MP-636	1CY10P3-N	5	
	MP-606 MP-638	1CY10P3-Y	5	
	MP-618 MP-639	1CY10P3-C	5	
		1CY10P3-A	5	
	MP-554 MP-555 MP-556 MP-557 MP-558 MP-559 MP-560 MP-604 MP-620	1CY10RB-R 1CY10RB-B 1CY10RB-G 1CY10RB-V 1CY10RB-M 1CY10RB-O 1CY10RB-N 1CY10RB-Y 1CY10RB-C 1CY10RB-A	5 5 5 5 5 5 5 5 5 5	
WE ALSO OFFER A P3, P5 AND P7 TIP TYPE IN THE SAME COLOURS AS LISTED ABOVE.				

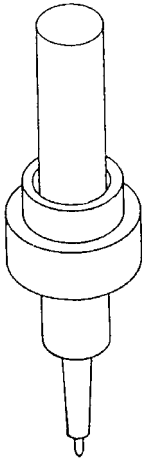


Model	OEM Part	Our Equivalent	Pk	HOUSTON
695A, IMAGEMAKER 1117.	MP-806 MP-816	1CY20P3-N	5	
	MP-807 MP-817	1CY20P3-R	5	
	MP-808 MP-818	1CY20P3-B	5	
	MP-809 MP-819	1CY20P3-G	5	
	MP-810 MP-886	1CY20P3-O	5	
	MP-811 MP-887	1CY20P3-M	5	
	MP-812 MP-888	1CY20P3-A	5	
	MP-813 MP-889	1CY20P3-L	5	
	MP-881 MP-890	1CY20P3-V	5	
	MP-884 MP-893	1CY20P3-C	5	
	MP-885 MP-895	1CY20P3-Y	5	
	MP-814	1CY20P3MIX01 (1x NRBG)	4	
	MP-931	1CY20P5-N	5	
	MP-932	1CY20P5-R	5	
	MP-933	1CY20P5-B	5	
	MP-934	1CY20P5-G	5	
	MP-935	1CY20P5-V	5	
	MP-936	1CY20P5-M	5	
	MP-937	1CY20P5-O	5	
	MP-938	1CY20P5-Y	5	



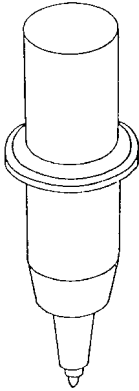
Model	OEM Part	Our Equivalent	Pk	HOUSTON
	MP-987	1CY20P7-N	5	
	MP-988	1CY20P7-R	5	
	MP-989	1CY20P7-B	5	
	MP-990	1CY20P7-G	5	
	MP-991	1CY20P7-M	5	
	MP-992	1CY20P7-C	5	
	MP-993	1CY20P7-A	5	
	MP-601	1CY20P7MIX23 (NRBGVOMY)	8	
<p>WE CAN ALSO OFFER A RB TIP IN A VARIETY OF COLOURS, EITHER A,B,C,G,M,N,O,R,V OR Y.</p>				



Model	OEM Part	Our Equivalent	Pk	IBM
XY/749, XY/750.	4754827	1CY10P3-R	3	
	4754828	1CY10P3-B	3	
	4754829	1CY10P3-N	3	
	4754830	1CY10P3-G	3	
	4754831	1CY10P3-Y	3	
	4754832	1CY10P3-M	3	
	4754833	1CY10P3-A	3	
	4754834	1CY10P3-O	3	
	4754902	1CY10P3-C	3	
		1CY10P3-V	3	
	4754892	1CY10P7-R	3	
	4754893	1CY10P7-B	3	
	4754894	1CY10P7-N	3	
	4754895	1CY10P7-G	3	
	4754896	1CY10P7-Y	3	
	4754897	1CY10P7-M	3	
	4754898	1CY10P7-A	3	
	4754899	1CY10P7-O	3	
	4754901	1CY10P7-C	3	
		1CY10P7-V	3	
	4754911	1CY10P3MIX01 (1x RBGN)	4	
	4754912	1CY10P7MIX01 (1x RBGN)	4	
	4754913	1CY10P3MIX05 RNBGOACYMV	10	
	4754914	1CY10P7MIX05 RNBGOACYMV	10	

WE CAN ALSO SUPPLY THE CY10 PEN RANGE WITH EITHER A P5 OR A RB TIP IN THE SAME COLOURS AS LISTED ABOVE.



Model	OEM Part	Our Equivalent	Pk	IBM
6180, 6184, 6186, 7371, 7372, 7374, 7375, 4792, 6104.	A6092-715 5470267	1CY20P3-R	5	
	A6092-716 5470266	1CY20P3-B	5	
	A6092-717 5470265	1CY20P3-G	5	
	A6092-718 5470264	1CY20P3-N	5	
	A6092-719	1CY20P3MIX01 (1x RBGN)	4	
	5470268	1CY20P3MIX10 (1x NRBGY)	5	
	5470269	1CY20P3MIX11 (1x NGCBV)	5	
	5470270	1CY20P3MIX09 (1x MYORA)	5	
	A6092-720 5470271	1CY20P7-N	5	
	A6092-721	1CY20P7-B	5	
	A6092-722	1CY20P7-R	5	
	A6092-723	1CY20P7-G	5	
	5470275	1CY20P7MIX10 (1x NRBGY)	5	
	5470276	1CY20P7MIX11 (1x NGCBV)	5	
	5470277	1CY20P7MIX09 (1x MYORA)	5	


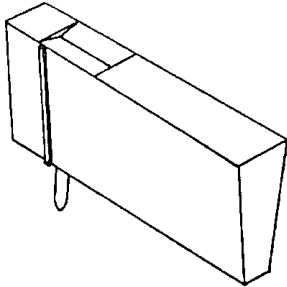


CROWN GRAPHIC

MARKING SYSTEMS CATALOGUE

JANUARY 2008

PAGE I02.01

Model	OEM Part	Our Equivalent	Pk	IFELEC
2025C RECORDER, M100, S200, IF3802, IF3804.		1CY1-B02 1CY1-G02 1CY1-N02 1CY1-R02 1CY1-V02	3 3 3 3 3	
	526.276.A00 526.277.A00	1FD21-N	10	
	526.276.B00 526.277.B00	1FD21-R	10	
	526.276.C00 526.277.C00	1FD21-B	10	
	526.276.D00 526.277.D00	1FD21-G	10	

GRAPHIC CONTROLS LTD, ST PETERS QUAY, TOTNES, DEVON, TQ9 5XH, UK

TEL : +44 (0)1803 860100 FAX : +44 (0)1803 863838 EMAIL : sales@crowng.com WEB : http://www.crowng.com

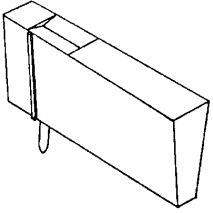



CROWN GRAPHIC

MARKING SYSTEMS CATALOGUE

JANUARY 2008

PAGE I03.01

Model	OEM Part	Our Equivalent	Pk	INSTRON
	53-1-2000 53-1-2001 53-1-2002	1FD21-R 1FD21-B 1FD21-G	10 10 10	
		1CY7-B 1CY7-G 1CY7-N 1CY7-R 1CY7-V	6 6 6 6 6	

GRAPHIC CONTROLS LTD, ST PETERS QUAY, TOTNES, DEVON, TQ9 5XH, UK

TEL : +44 (0)1803 860100 FAX : +44 (0)1803 863838 EMAIL : sales@crowng.com WEB : <http://www.crowng.com>

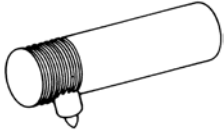
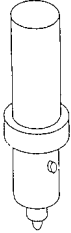
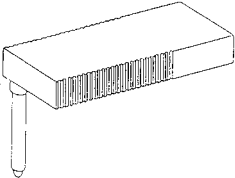


CROWN GRAPHIC

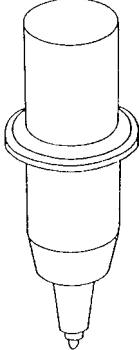
MARKING SYSTEMS CATALOGUE

JANUARY 2008

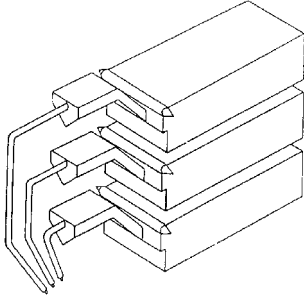
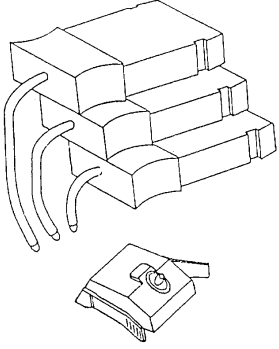
PAGE I04.01

Model	OEM Part	Our Equivalent	Pk	INSTRUMENT SPEC
613.	250-0500-02	1PB3-R03	5	
PORTABLE MONITER / ANALYSER.	250-0800-05	1CY13FL-R	5	
UA5, 614.	250-0400-02	1FD29L20-R	5	



Model	OEM Part	Our Equivalent	Pk	IOLINE CORP
LP3700, LP4000.		1CY20P3-# 1CY20P5-# 1CY20P7-# 1CY20RB-#	5 5 5 5	
<p>WE CAN SUPPLY OUR CY20 PEN RANGE IN A VARIETY OF COLOURS, EITHER A,B,C,G,M,N,O,R,V OR Y.</p>				



Model	OEM Part	Our Equivalent	Pk	I.P. & T.
MULTITREND 700 SERIES, POTENTIOMETRIC RECORDERS 771, 772, 773, 780, 781, 782, 783, 790, 791, 792, 793, 797.		1MT091-R 1MT092-B 1MT093-G	3 3 3	
MICROTREND MODEL 430, 431, 432, 433.		1MT441-R 1MT442-B 1MT443-G 1MT44P3-V	3 3 3 3	

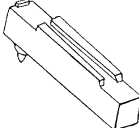
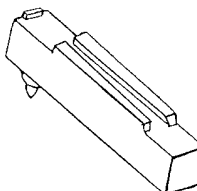
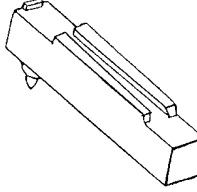


CROWN GRAPHIC


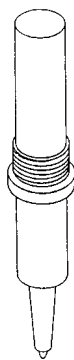
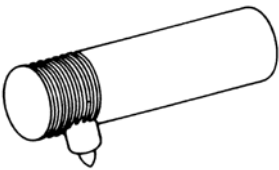
MARKING SYSTEMS CATALOGUE

JANUARY 2008

PAGE I07.01

Model	OEM Part	Our Equivalent	Pk	ISUZI
3-1075 BAROGRAPH 3-1095 THERMO- GRAPH. 3-1115 HYGRO- GRAPH.	JS 03	1SD7-B 1SD7-G 1SD7-N 1SD7-R 1SD7-V	3 3 3 3 3	
3-1125 THERMO- HYGROGRAPH 3-1135 THERMO- HYGRO-GRAPH 3-1155 REMOTE THERMOGRAPH.	3-1651-03 3-1651-05	1SD7-R 1SD7-B	3 3	
3-1122 THERMO- HYDROGRAPH.	JS12-00	1SD7-V	3	



Model	OEM Part	Our Equivalent	Pk	JAEGER
XY RECORDERS.	F 00 0017 891 517	1CY14-R	5	
	F 00 0018 891 518	1CY14-B	5	
SPIROTEST	F 00 0025 891 515	1CY15-R	5	
	F 00 0026 891 514	1CY15-B	5	
	891 520 891 521 891 522	1PB3-R01 1PB3-N01 1PB3-G01	5 5 5	



Model	OEM Part	Our Equivalent	Pk	JAQUET
KSQ701.	E7861 341A-71373	1MT501-R	1	
KSQ702.	E7861 341A-71373	1MT501-R	1	
	E7862 341A-71374	1MT502-G	1	
KSQ703, KSQ400.	E7861 341A-71373	1MT501-R	1	
	E7862 341A-71374	1MT502-G	1	
	E7863 341A-71375	1MT503-B	1	
	830 C-35937 830 C-35938	1MT461-R 1MT461-B	1 1	
	830 C-35939 830 C-35940	1MT462-R 1MT462-B	1 1	
	830 C-35941	1MT463-G	1	
		2S601B-B 2S601B-G 2S601B-N 2S601B-R 2S601B-V	4 4 4 4 4	

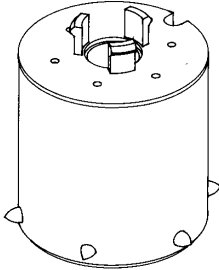
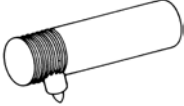


CROWN GRAPHIC

MARKING SYSTEMS CATALOGUE

JANUARY 2008

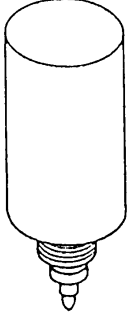
PAGE J03.01

Model	OEM Part	Our Equivalent	Pk	FWH JOENS GERATE
CPS, JPS.	8203463900710AC 8203463901720AC 8203463902730AC 8203463903740AC	6PW0501 1 col 6PW0601 2 col 6PW0701 3 col 6PW0801 6 col	1 1 1 1	
NST, NSTS.	8202563900800AB 8202564900900AB	1PB3-B03	5	

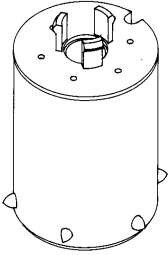
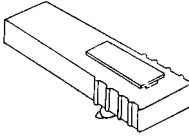
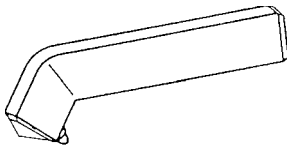
GRAPHIC CONTROLS LTD, ST PETERS QUAY, TOTNES, DEVON, TQ9 5XH, UK

TEL : +44 (0)1803 860100 FAX : +44 (0)1803 863838 EMAIL : sales@crowng.com WEB : <http://www.crowng.com>

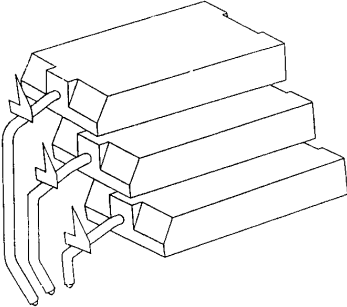
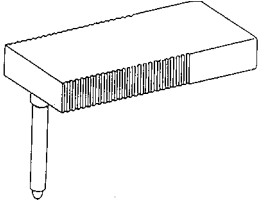


Model	OEM Part	Our Equivalent	Pk	JOYCE-LOBEL (UK)
DENSITOMETERS.		1CY4-# 1CY4FL-# 1CY4P3-# 1CY4P5-# 1CY4P7-# 1CY4RB-#	5 5 5 5 5 5	
WE CAN SUPPLY OUR CY4 PEN RANGE IN A VARIETY OF COLOURS, EITHER B,G,M,N,R OR V.				

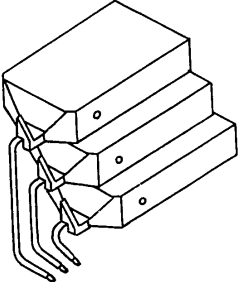


Model	OEM Part	Our Equivalent	Pk	JUCHEIM (JUMO)
PD...V-44/..., PD...V-96/....	7000 40561 7000 40562 7000 40563 7000 40564	6PW0601 2 col 6PW0701 3 col 6PW0801 6 col 6PW0501 1 col	1 1 1 1	
LS1K-44S/4(2) SINGLE PEN RECORDER.	7000 45267	1FD22-B 1FD22-R 1FD22-G	1 1 1	
LS1K-44/..., LS1K-88/...	7000 31708	1FD50-V	6	
LIN250 FS1(1)v-250	195 5360 074 195 5360 E74	1MT081-R	1	
FS2(2)v-250	195 5360 074 195 5360 E74 195 5360 075 195 5360 E75	1MT081-R 1MT082-B	1 1	
LS1K-44m/4, LS1K-44m/2, vk, LS1K44ms/4, LS1K44ms/2, vk, LS1K44mgk/4, LS1K44mgk/2, vk.	92.720.00.01-4 SN48075 7000 48075	1MT451-B	1	

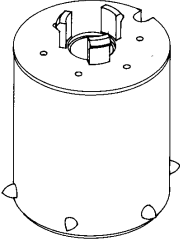


Model	OEM Part	Our Equivalent	Pk	JUCHEIM (JUMO)
LS2K-44m/4, LS2K-44m/2, vk, LS2K44mg/4, LS2K44mg/2, vk, LS2K44mgk/4, LS2K44mgk/2, vk.	92.720.00.01-4 SN48075 7000 48075	1MT451-B	1	
	92.720.00.02-4 SN48076 7000 48076	1MT452-R	1	
LS3K-44m/4, LS3K-44m/2, vk, LS3K44mg/4, LS3K44mg/2, vk, LS3K44mgk/4, LS3K44mgk/2, vk.	92.720.00.01-4 SN48075 7000 48075	1MT451-B	1	
	92.720.00.02-4 SN48076 7000 48076	1MT452-R	1	
	92.720.00.03-4 SN48077 7000 48077	1MT453-G	1	
LS1K-44/...	34.929	2N300-B	4	
LS1K-44/..., LS2K-44/...	34.929 34.930	2N300-B 2N300-R	4 4	
LS1K-44/..., LS2K-44/..., LS3K-44/...	34.929 34.930 34.931	2N300-B 2N300-R 2N300-G	4 4 4	
	34.932	4K227048DT WRITING TIP WITH TOOL.	10	
<div style="border: 1px solid black; padding: 5px; display: inline-block;"> <p>THE FTD PEN BELOW WILL FIT THE SINGLE PEN RECORDER.</p> </div>				
LS1K-44/..	7000 42610	1FD29C09-B	5	



Model	OEM Part	Our Equivalent	Pk	JUCHEIM (JUMO)
	7000 46722 SN46722	1MT471-B	1	
	7000 46723 SN46723	1MT472-R	1	
	7000 46724 SN46724	1MT473-G	1	



Model	OEM Part	Our Equivalent	Pk	KAMSTRUP-METRO
	3250-021	1MT451-R	1	
	3250-022	1MT452-G	1	
	3250-023	1MT453-B	1	
		6PW0501 1col 6PW0601 2col 6PW0701 3col 6PW0801 6col	1 1 1 1	

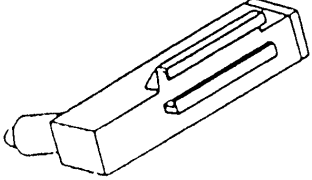


CROWN GRAPHIC

MARKING SYSTEMS CATALOGUE

JANUARY 2008

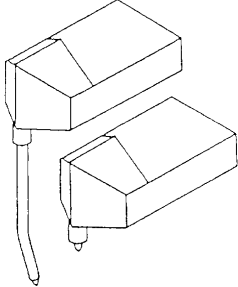
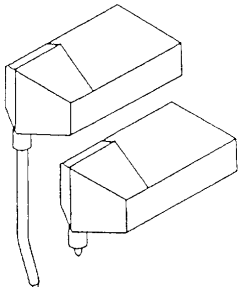
PAGE K02.01

Model	OEM Part	Our Equivalent	Pk	KETTERER
BAROGRAPH, THERMOGRAPH, HYGROGRAPH, 1.008, 1.009, 2.013, 3.014, 3.015, 3.016, 5.007.	10.01 10.01	1SD6-R 1SD6-V	5 5	

GRAPHIC CONTROLS LTD, ST PETERS QUAY, TOTNES, DEVON, TQ9 5XH, UK

TEL : +44 (0)1803 860100 FAX : +44 (0)1803 863838 EMAIL : sales@crowng.com WEB : <http://www.crowng.com>

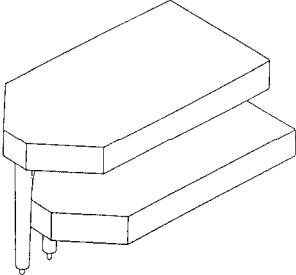
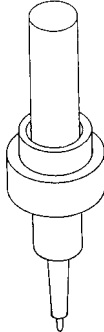


Model	OEM Part	Our Equivalent	Pk	KIPP & ZONEN
BD7, 8, 10, 14, 30, 40, 90, 111.	XR12/1 XR12R 2643-909	1MT272-R (SHORT)	5	
	XR12/2 XR12B 2643-911	1MT272-B	5	
	XR12/3 XR12G 2643-910	1MT272-G	5	
	XR12/4 XR12S 2643-908	1MT272-N	5	
BD9, 12, 14D, 31, 41, 91, 112.	XR13/1 XR13R 2643-912	1MT271-R (LONG)	5	
	XR13/2 XR13S	1MT271-N	5	
		1MT271-B 1MT271-G	5 5	
	XR12/1 XR12R 2643-909	1MT272-R (SHORT)	5	
	XR12/2 XR12B 2643-911	1MT272-B	5	
	XR12/3 XR12G 2643-910	1MT272-G	5	
	XR12/4 XR12S 2643-908	1MT272-N	5	



Model	OEM Part	Our Equivalent	Pk	KIPP & ZONEN
BD100, BD101.	2643-982 XR20/1	1FD3-N	3	
	2643-983 XR20/2	1FD3-M	3	
	2643-984 XR20/3	1FD3-R	3	
	2643-985 XR20/4	1FD3-G	3	
	2643-986 XR20/5	1FD3-B	3	
	2643-987 XR20/6	1FD3-V	3	
BD100, BD101, BD200, BD300, SPARC 200	2643-838	1FD06-R	3	
	2643-839	1FD06-G	3	
	2643-840	1FD06-B	3	
	2643-841	1FD06-N	3	
	2643-842	1FD06-M	3	
	2643-843	1FD06-V	3	
	2643-844	1FD06-O	3	
	2643-845	1FD06-A	3	
BD301		1MT241-B	3	
		1MT242-R	3	
		1MT243-G	3	



Model	OEM Part	Our Equivalent	Pk	KIPP & ZONEN
BD92, 94, 121.	XR14 2643-847	1FD25-B	10 10	
BD93, 95, 122.	XR14 2643-847	1FD25-B	10	
	XR15 2643-848	1FD26-R	10	
BD283, BD284.	XR16 2643-849	1FD26-B		
		1CY10P3-A	5	
	1CY10P3-B	5		
	1CY10P3-C	5		
	1CY10P3-G	5		
	1CY10P3-M	5		
	1CY10P3-N	5		
	1CY10P3-O	5		
	1CY10P3-V	5		
	1CY10P3-Y	5		



CROWN GRAPHIC

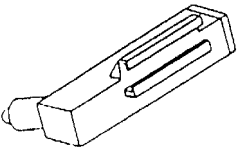

MARKING SYSTEMS CATALOGUE

JANUARY 2008

PAGE K04.01

Model	OEM Part	Our Equivalent	Pk	Dr. KNAUER
TY-1-CHANNEL	320 600 2020	1MT081-N		
TY-2-CHANNEL	320 600 2030 420.421 1000 620.7500070 42.11.00 420.421 2000 620.7500080 42.02.00	1MT081-R 1MT082-B		



Model	OEM Part	Our Equivalent	Pk	LAMBRECHT
HYGROGRAPH 250, THERMOGRAPH 252, METEORO- GRAPH 253, FERN- THERMOGRAPH 256, 257, 258, 265, 290, 292, 293, 1507, 1509, 1517, 1521.	252-144 V 33.02520.14000	1SD6-V	6	
	252-144 R 33.02520.144010	1SD6-R	6	
	252-144 N 252-144 B 252-144 G	1SD6-N 1SD6-B 1SD6-G	6 6 6	
STRIP CHART RECORDER SERIES 1485.		1CY7-B02 1CY7-G02 1CY7-M02 1CY7-N02 1CY7-R02 1CY7-V02	6 6 6 6 6 6	

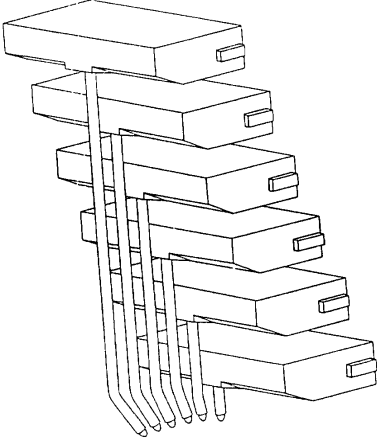


CROWN GRAPHIC

MARKING SYSTEMS CATALOGUE

JANUARY 2008

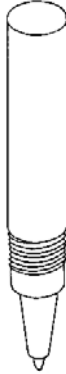
PAGE L02.01

Model	OEM Part	Our Equivalent	Pk	LAUMANN
MULTICASSETTE RECORDER SERIES 6000, GILA 1000- 6000, MINIKAS 122, 124, MINI 121N, 121B, SERVOKASS 200, 600, DLH 2000, DLN 200, 252N, MINI 220, 220N.	26041 (SHORT)	1MT231-V	2	
	26042	1MT232-R	2	
	26043	1MT233-N	2	
	26044	1MT234-G	2	
	26045	1MT235-B	2	
	26046 (LONG)	1MT236-M	2	

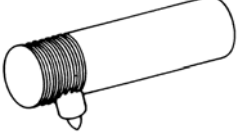
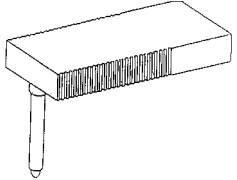
GRAPHIC CONTROLS LTD, ST PETERS QUAY, TOTNES, DEVON, TQ9 5XH, UK

TEL : +44 (0)1803 860100 FAX : +44 (0)1803 863838 EMAIL : sales@crowng.com WEB : http://www.crowng.com


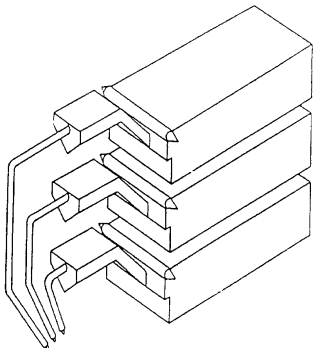
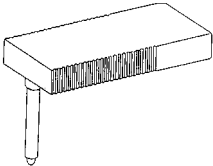
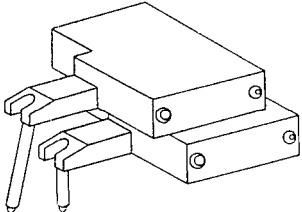


Model	OEM Part	Our Equivalent	Pk	LAUMONIER
		1MT291-B	1	
<p>THE CY1 FTD PEN RANGE IS AVAILABLE IN A VARIETY OF COLOURS, EITHER A,B,C,G,M,N,O,R,V OR Y.</p>		1CY1-#01	3	
		1CY1P3-#01	3	
		1CY1P5-#01	3	
		1CY1P7-#01	3	
		1CY1RB-#01	3	

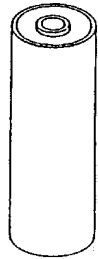
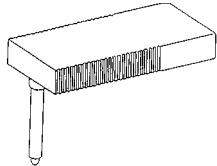
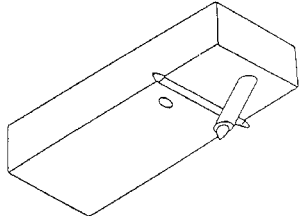
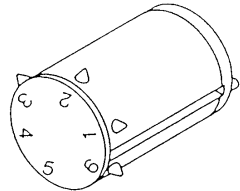


Model	OEM Part	Our Equivalent	Pk	LDC LATEK
	3100 3200	1PB3-N03 1PB3-R03	5 5	
	3401-2 3402	1FD29C31-R 1FD29C09-N	5 5	

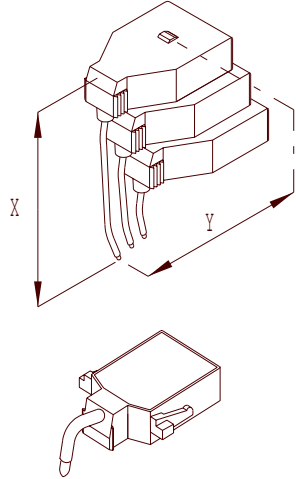
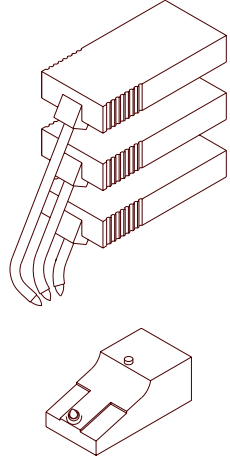
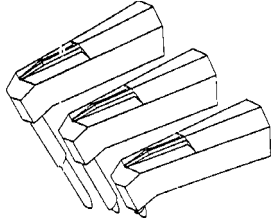


Model	OEM Part	Our Equivalent	Pk	LEEDS & NORTHRUP
SPEEDOMAX 400 CAPILLARY RECORDER.	054261	4N38X2 TIP	1	
	122086 122212	2N200A-G	4	
	122100 122211	2N200A-R	4	
	122101 122213	2N200A-B	4	
	122215 SLOW DRY	2N200A-R03	4	
	122216 SLOW DRY	2N200A-B03	4	
	122217 SLOW DRY	2N200A-G03	4	
IF YOU REQUIRE A FTD PEN FOR THE RECORDER, SEE BELOW.				
SPEEDOMAX SERIES 400, TYPE 401, TYPE 402, TYPE 403, SPEEDOMAX SERIES 430, TYPE 431, TYPE 432, TYPE 433.	018500 125233	1MT091-R	3	
	018501 125234	1MT092-B	3	
	018502 125235	1MT093-G	3	
SP 500 SERIES	054366	1FD29C07-R	5	
SPEEDOMAX 165, 250.	020724 (SHORT)	1FD30-B	3	
	020723 (LONG)	1FD31-R	3	



Model	OEM Part	Our Equivalent	Pk	LEEDS & NORTHRUP
	054042	9PRLN	1	
	054141	4LN-2-312-46	1	
	054213	9LN01 JEWEL PEN ASSY.	1	
	054265	9LN02 JEWEL PEN ASSY.	1	
SPEEDOMAX H (MODEL R 50,000 SERIES) ROUND RECORDERS.	125069	2N300-N	4	
SPEEDOMAX H & W MODEL S MANUFACTURED BEFORE APRIL '68	054366	1FD29C07-R	5	
MANUFACTURED AFTER APRIL '68.	054190 054191 054192	1SD33-R 1SD33-B 1SD33-N	5 5 5	
SPEEDOMAX 1000 - MODEL 116.	080604	6PW01	1	



Model	OEM Part	Our Equivalent	Pk	LEEDS & NORTHRUP
MODELS 101, 102, 103, 111, 112, 113.	080600	1MT911-B	1	
	080601	1MT912-R	1	
	080602	1MT913-G	1	
	080603	1MT91A-V	1	
SPPEDOMAX AL HYBRID.	22019-425301	1MT951-R	3	
	22019-425302	1MT952-G	3	
	22019-425303	1MT953-B	3	
	22015-426201	1MT95A-N	5	
MODEL 201, MODEL 202, MODEL 203.	075800	1FD341-R	5	
	075801	1FD342-G	5	
	075802	1FD343-B	5	



Model	OEM Part	Our Equivalent	Pk	LEEDS & NORTHRUP
SPEEDOMAX 210	081358	1UD231-B	2	
	081359	1UD232-R	2	
	081360	1UD233-G	2	
	081361	1UD234-N	2	
SPEEDOMAX 100	041392	1FD321-R	3	
	041393	1FD322-B	3	
	041394	1FD323-G	3	
<p>SERIES 04, U15 AND U20 CIRCLE CHART RECORDERS CONVERTED TO FTD PENS WITH A SLIDE ON ARM, CAN USE OUR 1UD20 SERIES PENS. PLEASE CONTACT OUR SALES DEPT. FOR DETAILS.</p>				
	054040	9PE01	1	
<p>TO CONVERT THE RECORDER TO FTD PENS USE THE ARM AND FTD PEN LISTED BELOW.</p>				
	054040	9KPB21 1PB21-R	1 1	



Model	OEM Part	Our Equivalent	Pk	LEEDS & NORTHRUP	
FELT PAD INK. STD INK	125167	3CC50-B01			
	125186	3CC50-B01			
	125169	3CC50-G01			
	125166	3CC50-R01			
	125187	3CC500-G01			
	125104	3CC500-N01			
	125010	3CC500-R01			
	125185	3CC500-R01			
	125180	3OZ4-R01			
	125189	3OZ8-B01			
	125063	3OZ8-R01			
	125188	3OZ8-R01			
	QUICK DRY.	111059	3CC50-B02		
		125113	3CC50-B02		
125114		3CC50-G02			
122022		3CC50-N02			
125055		3CC50-N02			
125051		3CC50-R02			
125059		3CC50-V02			
125124 125045		3CC500-B02 3CC500-R02			
125060	3OZ8-R02				
SLOW DRY.	125143	3CC50-B03			
	125147	3CC50-G03			
	125133	3CC50-R03			
	125141	3CC500-B03			
	125142	3CC500-G03			
	125149	3CC500-R03			
	125144	3OZ8-B03			
	125148	3OZ8-G03			
	125135	3OZ8-R03			

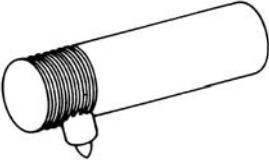


CROWN GRAPHIC

MARKING SYSTEMS CATALOGUE

JANUARY 2008

PAGE L05.06

Model	OEM Part	Our Equivalent	Pk	LEEDS & NORTHRUP
PAD INK.	125015 125016 125017 125018 125019 125021 125022	3LNPADB15 3LNPADG15 3LNPADO15 3LNPADR15 3LNPADV15 3LNPADN15 3LNPADM15	1 1 1 1 1 1 1	
SPEEDOMAX XL/681A	19100.A16 12700 E85	1PB3-R07	5	
SPEEDOMAX XL682.	19100.A17 12700 E86 19100.A16 12700 E85	1PB3-B06 1PB3-R07	5 5	


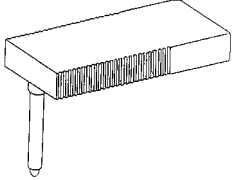


CROWN GRAPHIC

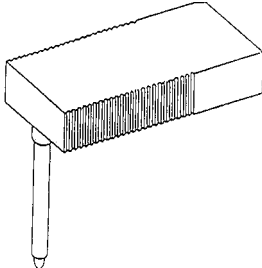
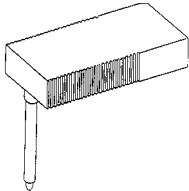
MARKING SYSTEMS CATALOGUE

JANUARY 2008

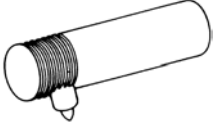
PAGE L06.01

Model	OEM Part	Our Equivalent	Pk	LEOPOLD SYBRON
CIRCULAR CHART RECORDERS.	187-08968 (QD) 187-08969 (QD) 187-09875 187-09876	2N300-R02 2N300-G02 2N300-R 2N300-G	4 4 4 4	
A-71 TYPE F, 61R, 88R.	25387 34893	1FD29C24-B	5	

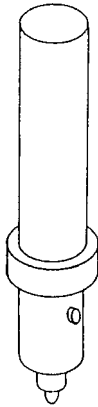
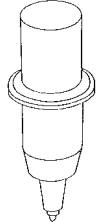


Model	OEM Part	Our Equivalent	Pk	LINEAR
140, 141, 142, 143, 255, 285, 355, 361, 395, 412, 455, 456, 555, 701, 1101, 1201, 1210.	0100-0105 16840	1FD29C09-B	5	
	0100-0106 PR32 16832	1FD29C09-R	5	
	0100-0107 PR30 16830	1FD29C09-N	5	
	0100-0108	1FD29C09-G	5	
232, 281, 282, 284, 285-14, 290, 291, 294, 385, 391, 345, 422, 432, 485, 486, 585, 595, 1202.	0100-0105 16840	1FD29C09-B	5	
	0100-0106 PR32 16832	1FD29C09-R	5	
	0100-0107 PR30 16830	1FD29C09-N	5	
	0100-0108	1FD29C09-G	5	
	0100-0109 PR36 16836	1FD29C31-B	5	
	0100-0110	1FD29C31-R	5	
	0100-0111	1FD29C31-N	5	
	0100-0112 PR-35 16835	1FD29C31-G	5	
355, 395, 595.	0100-0105	1FD29C09-B	5	
	0100-0131 16841	1FD29C26-N	5	
	0100-0132 16842	1FD29C38-G	5	

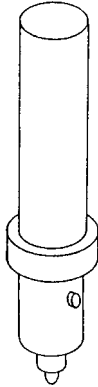


Model	OEM Part	Our Equivalent	Pk	LINEAR
112, 152, 155, 156, 160, 161, 212, 222, 252, 252A, 254, 255-14, 260, 261, 264.	0100-0101 PR-16 16816	1PB3-B03	5	
	0100-0102 PR-12 16812	1PB3-R03	5	
	0100-0103 PR-10 16810	1PB3-N03	5	
	0100-0104 PR-15 16815	1PB3-G03	5	



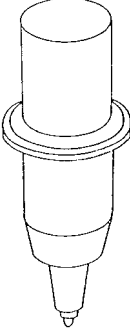
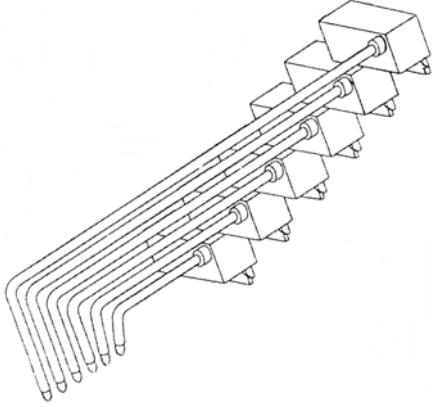
Model	OEM Part	Our Equivalent	Pk	LINEAR GRAPHICS
PLOTMATE A4M, PLOTMATE A3M SINGLE PEN PLOTTER 1200-005.	1250-002	1CY14P3-N	5	
	1250-003	1CY14P3-R	5	
		1CY14P3-A	5	
		1CY14P3-B	5	
		1CY14P3-C	5	
		1CY14P3-G	5	
	1CY14P3-M	5		
	1CY14P3-O	5		
	1CY14P3-V	5		
	1CY14P3-Y	5		
	1250-051	1CY14P3MIX05 MOAYCRBGNV	10	
	1250-006	1CY14P7MIX07 RBGNVM	6	
	1250-053	1CY14RB-N	5	
	1250-005	1CY14RBMIX07 RBGNVM	6	
<p>AS WELL AS SUPPLYING MIXED PACKS WE CAN SUPPLY PACKS IN SINGLE COLOURS, AS WELL WE CAN SUPPLY CY14'S WITH A P5 TIP. THE COLOURS AVAILABLE ARE A,B,C,G,M,N,O,R,V OR Y.</p>				
PLOTMATE A3M MULTI PEN PLOTTER 1205-105.	1250-083	1CY20P3-N	5	
	1250-084	1CY20P3-R	5	
	1250-085	1CY20P3-B	5	
	1250-081	1CY20P3MIX05 MOAYCRBGNV	10	
<p>WE CAN SUPPLY THE FULL RANGE OF COLOURS IN THE P3 RANGE AS WELL AS OFFERING EITHER A P5, P7 OR RB TIP OPTION. THE COLOURS AVAILABLE ARE EITHER A,B,C,G,M,N,O,R,V OR Y.</p>				



Model	OEM Part	Our Equivalent	Pk	LINSEIS
LY/18PL, LY1500, LY1600.	80116023 LY/HP01	1CY14P3-G	5	
	80116024 LY/HP02	1CY14P3-R	5	
	80116025 LY/HP05	1CY14P3-N	5	
		1CY14P3-A	5	
		1CY14P3-B	5	
		1CY14P3-C	5	
		1CY14P3-M	5	
		1CY14P3-O	5	
		1CY14P3-V	5	
		1CY14P3-Y	5	
	80116020 LY/HP11	1CY14RB-G	5	
	80116021 LY/HP12	1CY14RB-R	5	
	80116022 LY/HP15	1CY14RB-N	5	
		1CY14RB-A	5	
		1CY14RB-B	5	
	1CY14RB-C	5		
	1CY14RB-M	5		
	1CY14RB-O	5		
	1CY14RB-V	5		
	1CY14RB-Y	5		

WE CAN ALSO OFFER A P5 OR P7 TIP
TYPE OF THE CY14 FTD PEN SERIES.
FOR THE AVAILABLE COLOURS REFER
TO THE RB LISTING ABOVE.

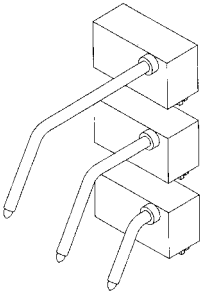


Model	OEM Part	Our Equivalent	Pk	LINSEIS
XY-RECORDERS LY1400, LY1500, LY1600, LY1900PL, PLF1620, PLT1600/LPT A-0, PLT1610/LPT A-1.	80116026	1CY20P3-B	5	
	80116027	1CY20P3-N	5	
	80116028	1CY20P3-G	5	
	80116029	1CY20P3-B	5	
	80116030	1CY20P3-V	5	
	80116031	1CY20P3-O	5	
	80116032	1CY20P3-Y	5	
	80116033	1CY20P3-M	5	
		1CY20P3-A	5	
		1CY20P3-C	5	
<div style="border: 1px solid black; padding: 5px; width: fit-content; margin: 0 auto;"> WE CAN ALSO OFFER A P5, P7 AND A RB TIP TYPE OF THE CY20 PEN SERIES. FOR THE COLOURS AVAILABLE PLEASE REFER TO THE P3 LIST ABOVE. </div>				
LM11, LM211, LS24, LS44, LS46.	LO/2015 LO/21	1MT031-G	2	
	LO/2205 LO/22	1MT032-R	2	
LS3, LS4, LS52, LM23, LM24, LS25, LS45, LS51, LS65, L601, L651, L652, L6010, L6012, L6510, L6512, L6514, L6520, L6522.	LO/211 LO/212 LO/21	1MT031-G	2	
	LO/221 LO/222 LO/22	1MT032-R	2	
	LO/231 LO/232 LO/23	1MT033-B	2	
	LO/241 LO/242 LO/24	1MT034-M	2	
	LO/251 LO/252 LO/25	1MT035-N	2	
	LO/261 LO/262 LO/26	1MT036-V	2	


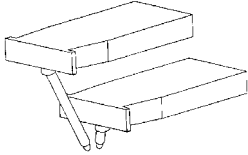


Model	OEM Part	Our Equivalent	Pk	LINSEIS
L1000	LO/01 LO/1	1MT041-G	1	
	LO/02 LO/2	1MT042-R	1	
SERIES 2000, 2001, 2005, 7000, 7005, 7105. L2000, L2020, L2040, L2060, LY8222 Z, LY8222 ZPA, LY722 Z, 800 XY, 800 XY-Y, L2021, L2025, L2041, L2045, L2061, L2020, L7025, L7040, L7045, L7060, L7065, L7125, L7145, L7165, L7720, L7740, L1000.	LO/01 LO/1	1MT041-G	1	
	LO/02 LO/2	1MT042-R	1	
	LO/03 LO/3	1MT043-B	1	
	LO/04 LO/4	1MT044-M	1	
	LO/05 LO/5	1MT045-N	1	
	LO/06 LO/6	1MT046-V	1	
L2001Y, L2025, L2045, L2065, L7005, L7025, L7045, L7065, L7100, L7620, L7640, L7720, L7740.	L2001/1	1MT041V-G	1	
	L2001/2	1MT042V-R	1	
	L2001/3	1MT043V-B	1	
	L2001/4	1MT044V-M	1	
	L2001/5	1MT045V-N	1	
	L2001/6	1MT046V-V	1	
L300, L600, L650	LM300/1 LM300/2	1MT051-G 1MT052-R	1 1	

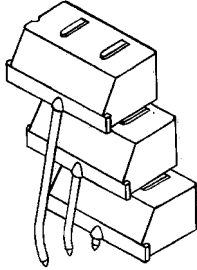




Model	OEM Part	Our Equivalent	Pk	LINSEIS
L6010, L6510, L6514, L6520, L6522, L6622.	L651/1 L651/2 L651/3 L651/4	1MT0511-G 1MT0521-R 1MT0531-B 1MT0541-M	1 1 1 1	
LY700, LY1700, LY800, LY1800, LY7222Z, LY1722T, LY1822Z, LY17100, LY17200, LY18100, LY18222Z.	LO/411 SHORT LO/412 LO/415 LO/421 LONG LO/422 LO/425	1MT0411-G 1MT0411-R 1MT0411-N 1MT0425-G 1MT0425-R 1MT0425-N	2 2 2 2 2 2	
LS6512	LS/210 LS/220 LS/230 LS/240	1MT821-G 1MT822-R 1MT823-B 1MT824-M	5 5 5 5	
	NT/111 NT/112 NT/113 NT/114 NT/115 NT/116	3CC100-G 3CC100-R 3CC100-B 3CC100-M 3CC100-N 3CC100-V	1 1 1 1 1 1	



Model	OEM Part	Our Equivalent	Pk	LLOYD INSTRUMENTS
CR450, G450X.	PNH/0220	1CY19-N	5	
CR100, CR500, PL3, PL50, PL100.	PNH/0008 PNH/0009 PNH/0010 PNH/0011	1CY19-R 1CY19-G 1CY19-N 1CY19-B	5 5 5 5	
G1000, G1002, G2000, G2002. STD SPEED PENS	PNH/0146 PNH/0147 PNH/0148 PNH/0149 PNH/0141 PNH/0142 PNH/0143 PNH/0144	1MT681-N03 1MT681-R03 1MT681-G03 1MT681-B03 1MT682-N03 1MT682-R03 1MT682-G03 1MT682-B03	1 1 1 1 1 1 1 1	
SLOW SPEED PENS	PNH/0184 PNH/0185 PNH/0186 PNH/0187 PNH/0180 PNH/0181 PNH/0182 PNH/0183	1MT681-N04 1MT681-R04 1MT681-G04 1MT681-B04 1MT682-N04 1MT682-R04 1MT682-G04 1MT682-B04	1 1 1 1 1 1 1 1	
<div style="border: 1px solid black; padding: 10px; width: fit-content; margin: 10px auto;"> <p>DUE TO THE WIDE VARIATIONS IN CHART SPEEDS, WE HAVE DEVELOPED TWO RANGES OF PENS. THE SLOW SPEED PENS HAVE AN OPERATING RANGE OF 0.1mm PER MINUTE TO 600mm PER MINUTE. THE STD PENS HAVE AN OPERATING RANGE OF 1.0mm PER MINUTE TO 600mm PER SECOND.</p> </div>				



Model	OEM Part	Our Equivalent	Pk	LLOYD INSTRUMENTS
PL1000, PL1500, PL2000, PL2500, PL3000, CR800.	PNX/0034/00	1MT221-N	1	
	PNX/0033/07	1MT222-V	1	
	PNX/0032/02	1MT223-R	1	
	CLX/0045/00	9K220	10	
CR452 A, CR650, PL4, PL5, PL51, PL3, PL200, PD4, CR650S, CR652S.	PNH/0012	1CY4-N	5	
	PNH/0174	1CY4-R	5	
	PNH/0172	1CY4-B	5	
	PNH/0173	1CY4-G	5	
CR552, CR600, CR652, CR700, CR800.	PNH/0012	1CY4-N	5	
	PNH/0174	1CY4-R	5	
	PNH/0172	1CY4-B	5	
	PNH/0173	1CY4-G	5	
	PNH/0013	1CY18-R	5	
	PNH/0027	1CY18-G	5	




CROWN GRAPHIC

MARKING SYSTEMS CATALOGUE

JANUARY 2008

PAGE L11.01

Model	OEM Part	Our Equivalent	Pk	LODE
SPIROGRAPH D-75.		1CY8-B 1CY8-G 1CY8-N 1CY8-R	6 6 6 6	

GRAPHIC CONTROLS LTD, ST PETERS QUAY, TOTNES, DEVON, TQ9 5XH, UK

TEL : +44 (0)1803 860100 FAX : +44 (0)1803 863838 EMAIL : sales@crowng.com WEB : http://www.crowng.com

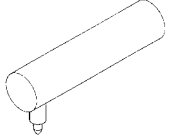


CROWN GRAPHIC

MARKING SYSTEMS CATALOGUE

JANUARY 2008

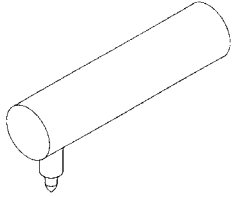
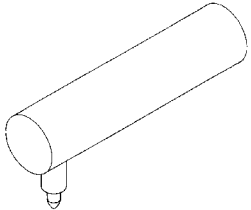
PAGE M01.01

Model	OEM Part	Our Equivalent	Pk	MAIHAK
E010, E020, E030, E040, E090, E420, E460, E480, E490, E530.		1PB7-B05 1PB7-G05 1PB7-M05 1PB7-N05 1PB7-R05 1PB7-V05	6 6 6 6 6 6	



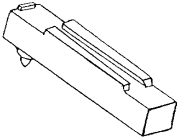
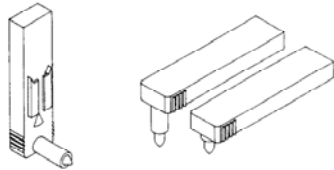
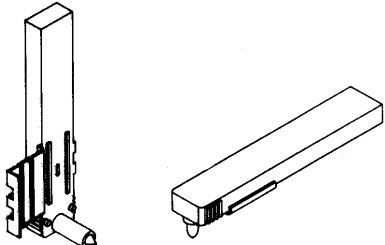
GRAPHIC CONTROLS LTD, ST PETERS QUAY, TOTNES, DEVON, TQ9 5XH, UK

TEL : +44 (0)1803 860100 FAX : +44 (0)1803 863838 EMAIL : sales@crowng.com WEB : http://www.crowng.com

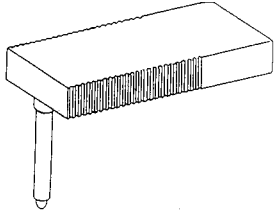
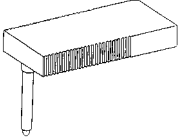
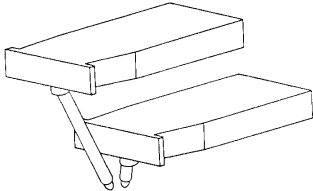


Model	OEM Part	Our Equivalent	Pk	MANGELS
SR-DR POINTAC		1PB715.5MM-B 1PB715.5MM-G 1PB715.5MM-M 1PB715.5MM-N 1PB715.5MM-R 1PB715.5MM-V	6 6 6 6 6 6	
		1PB7-B03 1PB7-G03 1PB7-M03 1PB7-N03 1PB7-R03 1PB7-V03	6 6 6 6 6 6	



Model	OEM Part	Our Equivalent	Pk	MARKSON
5746	A-5756 A-5754 A-5753 A-5755	1PB3-B03 1PB3-R03 1PB3-N03 1PB3-G03	5 5 5 5	
450 SERIES, 31450, 31453.	Z-265866 Z-265867	1CY4-N 1CY4-R	5 5	
31452, 31454.	Z-265866 Z-265867	1CY4-N 1CY4-R 1CY18-R	5 5 5	
15791, 15794, 15786, 29015, 29016.	A-15729 A-30495	1SD7-B 1SD7-R	3 3	
28060, 28061, 28062, 29027, 29029, 29035, 29037, 29038, 29039, 29102, 45321, 45322, 45325, 45326, 45327, 45328.	A-34028 A-34029	1UD211-R 1UD212-B	6 6	
44110		1UD241-N	6	



Model	OEM Part	Our Equivalent	Pk	MARKSON
5763, 13270, 13271, 5740, 18070, 18072, 34330, 34331.	A-13276 A-13274 A-13273 A-13275	1FD29C09-B 1FD29C09-R 1FD29C09-N 1FD29C09-G	5 5 5 5	
5741, 18073, 34332	A-13276 A-13274 A-13273 A-13275 A-5751 A-5744 A-5745 A-5752	1FD29C09-B 1FD29C09-R 1FD29C09-N 1FD29C09-G 1FD29C31-B 1FD29C31-R 1FD29C31-N 1FD29C31-G	5 5 5 5 5 5 5 5	
5742	A-13276 A-13274 A-13273 A-13275 A-34336	1FD29C09-B 1FD29C09-R 1FD29C09-N 1FD29C09-G 1FD29C27-N 1FD29C38-B	5 5 5 5 5 5	
100, 1002, 2000, 2002.	Z-265857 Z-265858 Z-265859 Z-265850 Z-265861 Z-265862 Z-265863 Z-265264	1MT681-N03 1MT681-R03 1MT681-G03 1MT681-B03 1MT682-N03 1MT682-R03 1MT682-G03 1MT682-B03	1 1 1 1 1 1 1 1	

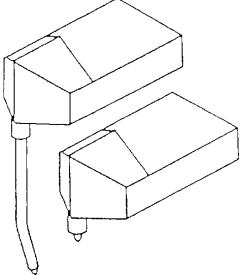
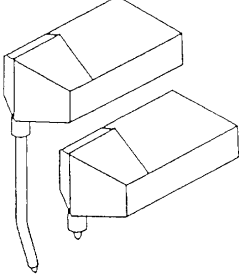


CROWN GRAPHIC

MARKING SYSTEMS CATALOGUE

JANUARY 2008

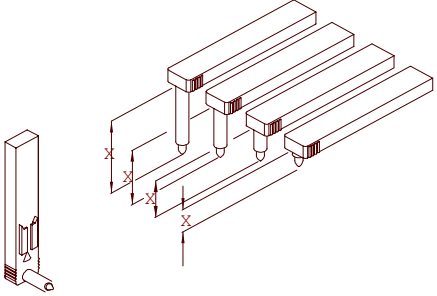

PAGE M03.03

Model	OEM Part	Our Equivalent	Pk	MARKSON
X276009, X276010 FLATBED RECORDERS. CHANNEL 1	Z-151894 Z-151902 Z-395988 Z-395996	1MT272-B 1MT272-N 1MT272-R 1MT272-G	5 5 5 5	
CHANNEL 2	Z-396002	1MT271-R 1MT271-N 1MT271-B 1MT271-G	5 5 5 5	

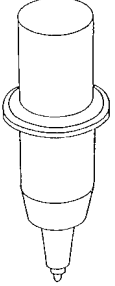
GRAPHIC CONTROLS LTD, ST PETERS QUAY, TOTNES, DEVON, TQ9 5XH, UK

TEL : +44 (0)1803 860100 FAX : +44 (0)1803 863838 EMAIL : sales@crowng.com WEB : <http://www.crowng.com>



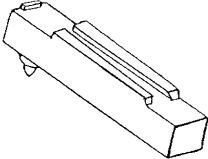

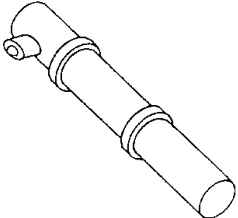
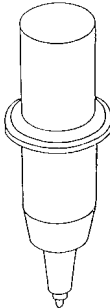
Model	OEM Part	Our Equivalent	Pk	MASONILAN
6000		1UD201-# 1UD202-# 1UD203-# 1UD204-#	6 6 6 6	
<p>WE CAN SUPPLY THE UD20 FTD PEN RANGE IN EITHER B,G,N,R OR V.</p>				
	974063-002-888 974063-003-888 974063-004-888	2N300-R 2N300-B 2N300-G	4 4 4	



Model	OEM Part	Our Equivalent	Pk	MAX
NP-304, NP-406.		1CY20P3-# 1CY20P5-# 1CY20P7-# 1CY20RB-#	5 5 5 5	

WE CAN SUPPLY THE CY20 RANGE IN A VARIETY OF COLOURS, EITHER A,B,C,G,M,N,O,R,V OR Y.



Model	OEM Part	Our Equivalent	Pk	MAXANT
THERMOHYGRO-GRPAPH.		1SD7-B 1SD7-G 1SD7-N 1SD7-R 1SD7-V	3 3 3 3 3	
		1CY7-B 1CY7-N 1CY7-R 1CY7-V	6 6 6 6	
		1PB4-B 1PB4-G 1PB4-N 1PB4-R	6 6 6 6	
NP304, NP406.		1CY20P3-# 1CY20P5-# 1CY20P7-# 1CY20RB-#	5 5 5 5	
		<p>WE CAN SUPPLY THE CY20 RANGE IN A VARIETY OF COLOURS, EITHER A,B,C,G,M,N,O,R,V OR Y.</p>		

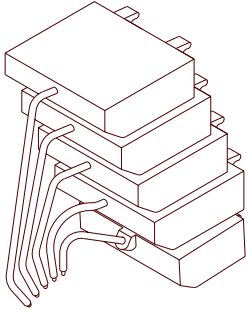


CROWN GRAPHIC

MARKING SYSTEMS CATALOGUE

JANUARY 2008

PAGE M07.01

Model	OEM Part	Our Equivalent	Pk	MCC
MINITRACE 4000.	H20626	1MX101-N	1	
	H20622	1MX102-R	1	
	H20623	1MX103-B	1	
	H20624	1MX104-V	1	
	H20625	1MX105-G	1	

GRAPHIC CONTROLS LTD, ST PETERS QUAY, TOTNES, DEVON, TQ9 5XH, UK

TEL : +44 (0)1803 860100 FAX : +44 (0)1803 863838 EMAIL : sales@crowng.com WEB : <http://www.crowng.com>




CROWN GRAPHIC

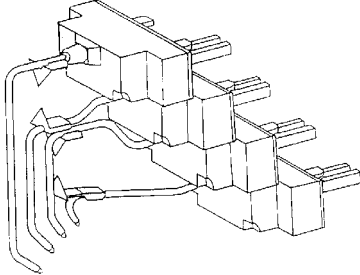
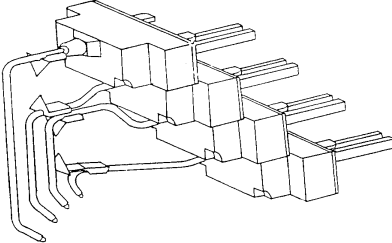
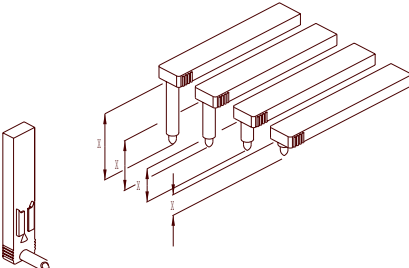
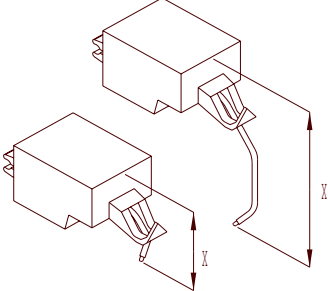
MARKING SYSTEMS CATALOGUE

JANUARY 2008

PAGE M08.01

Model	OEM Part	Our Equivalent	Pk	MECHTRON
CIRCULAR CHART RECORDERS.	106-01-19 106-01-22 106-01-30	2N300-N 2N300-R 2N300-G	4 4 4	



Model	OEM Part	Our Equivalent	Pk	MECILEC
OPTRONIX 440, FLUTRONIX 740.	B 69 588	1MT691-R	3	
	B 69 589	1MT692-B	3	
	B 69 590	1MT693-V	3	
	B 69 591	1MT694-G	3	
TRACELEC	B 73 236	1MT661-R	3	
	B 73 237	1MT662-B	3	
	B 73 238	1MT663-V	3	
	B 73 239	1MT664-G	3	
SERIES O4, U15, U20.		1UD201-#	6	
		1UD202-#	6	
		1UD203-#	6	
		1UD204-#	6	
<p>WE CAN SUPPLY THE UD20 FTD RANGE IN EITHER B,G,N,R OR V.</p>				
E5200	B 76 503	1MT991-R	1	
	B 76 504	1MT992-B	1	



CROWN GRAPHIC

MARKING SYSTEMS CATALOGUE

JANUARY 2008

PAGE M09.02

Model	OEM Part	Our Equivalent	Pk	MECILEC
SPEEDOMAX H & W (BEFORE APRIL '68)	B 70 605	1SD3005-R	6	
	B 70 606	1SD3005-B	6	
	B 70 607	1SD3005-N	6	
		x		
AFTER APRIL '68. (NOT ALL MODELS)	054190	054190	5	
	054191	054191	5	
	054192	054192	5	



Model	OEM Part	Our Equivalent	Pk	MERCURY	
<p>THE FOLLOWING PENS WILL FIT DIRECTLY ONTO THE OEM ARM.</p>					
	20-4273	1UD303-R	6		
	20-4274	1UD302-R	6		
	20-4275	1UD301-R	6		
	20-4276	1UD303-B	6		
	20-4277	1UD302-B	6		
	20-4278	1UD301-B	6		
	20-4279	1UD303-G	6		
	20-4280	1UD302-G	6		
	20-4281	1UD301-G	6		
	20-4282	1UD303-N	6		
	20-4283	1UD302-N	6		
	20-4284	1UD301-N	6		
700, 800, 900, 1200.	<p>REFER TO THE UNIVERSAL SECTION IN THE FRONT OF CATALOGUE FOR GAS MEASUREMENT PENS.</p>				
<p>THE UD24 FTD PEN SERIES REQUIRES A CONVERSION ARM TO FITTED TO THE MACHINE BEFORE BEING ABLE TO USE THEM</p>					
	20-7994	1UD244-R	6		
	20-7995	1UD243-B	6		
	20-7996	1UD242-B	6		
	20-8006	1UD244-N	6		
	20-8007	1UD244-B	6		
	20-8008	1UD244-G	6		
	20-8009	1UD242-N	6		
	20-8010	1UD242-R	6		
	20-8011	1UD242-G	6		
	20-8012	1UD243-N	6		
	20-8013	1UD243-R	6		
	20-8014	1UD243-G	6		

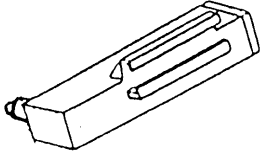


CROWN GRAPHIC

MARKING SYSTEMS CATALOGUE

JANUARY 2008

PAGE M11.01

Model	OEM Part	Our Equivalent	Pk	MESSTECHNIK R.
		1SD8-B 1SD8-N 1SD8-R 1SD8-V	6 6 6 6	

GRAPHIC CONTROLS LTD, ST PETERS QUAY, TOTNES, DEVON, TQ9 5XH, UK

TEL : +44 (0)1803 860100 FAX : +44 (0)1803 863838 EMAIL : sales@crowng.com WEB : http://www.crowng.com

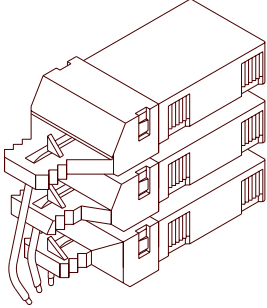


CROWN GRAPHIC

MARKING SYSTEMS CATALOGUE

JANUARY 2008

PAGE M12.01

Model	OEM Part	Our Equivalent	Pk	METRO
LINE RECORDER 570 01 97 MODEL ZR410, 420, 430.	ZP410 ZP420 ZP430	1MX191-G 1MX192-R 1MX193-B	2 2 2	

GRAPHIC CONTROLS LTD, ST PETERS QUAY, TOTNES, DEVON, TQ9 5XH, UK

TEL : +44 (0)1803 860100 FAX : +44 (0)1803 863838 EMAIL : sales@crowng.com WEB : <http://www.crowng.com>

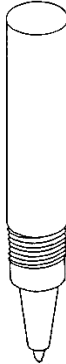


CROWN GRAPHIC

MARKING SYSTEMS CATALOGUE

JANUARY 2008

PAGE M13.01

Model	OEM Part	Our Equivalent	Pk	METROHM
POTENTIOMETER E536, E537.	EA1008/1	1CY1-B01	3	
POLARECORD E506, E626.	EA1008/2	1CY1-G01	3	
DOSIGRAPH 625.	EA1008/3	1CY1-R01	3	
LABOGRAPH E586.		1CY1-A01	3	
		1CY1-C01	3	
		1CY1-M01	3	
		1CY1-N01	3	
		1CY1-O01	3	
		1CY1-V01	3	
		1CY1-Y01	3	

GRAPHIC CONTROLS LTD, ST PETERS QUAY, TOTNES, DEVON, TQ9 5XH, UK

TEL : +44 (0)1803 860100 FAX : +44 (0)1803 863838 EMAIL : sales@crowng.com WEB : http://www.crowng.com

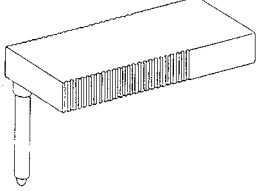


CROWN GRAPHIC

MARKING SYSTEMS CATALOGUE

JANUARY 2008

PAGE M14.01

Model	OEM Part	Our Equivalent	Pk	METROSONICS
STRIP CHART RECORDERS.	CP-402 CP-402B	1FD29L20-R 1FD29L20-B	5 5	

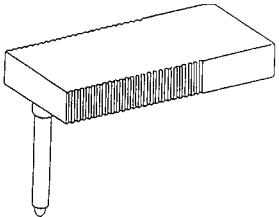


CROWN GRAPHIC

MARKING SYSTEMS CATALOGUE

JANUARY 2008

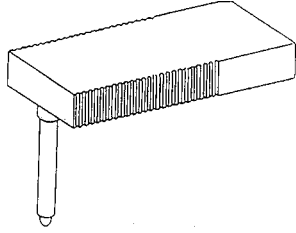
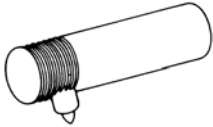
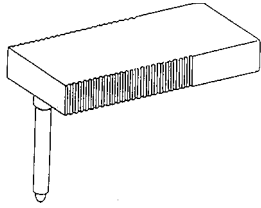
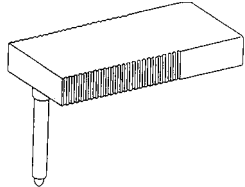
PAGE M15.01

Model	OEM Part	Our Equivalent	Pk	M.F.E.
SERIES 2100 STRIP CHART RECORDERS. 1 CHANNEL	31343007	1FD29C17-N	5	
	31343015	1FD29C17-B	5	
	31343023	1FD29C17-R	5	
	31343031	1FD29C17-G	5	
2 CHANNEL	31343007	1FD29C17-N	5	
	31343015	1FD29C17-B	5	
	31343023	1FD29C17-R	5	
	31343031	1FD29C17-G	5	
	31344005	1FD29C32-N	5	
	31344013	1FD29C32-B	5	
	31344021	1FD29C32-R	5	
	31344039	1FD29C32-G	5	

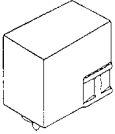

GRAPHIC CONTROLS LTD, ST PETERS QUAY, TOTNES, DEVON, TQ9 5XH, UK

TEL : +44 (0)1803 860100 FAX : +44 (0)1803 863838 EMAIL : sales@crowng.com WEB : <http://www.crowng.com>



Model	OEM Part	Our Equivalent	Pk	MOLYTEK
3401	412023	1FD29C31-R	5	
3402. 221-AC/DC, 221-AC, 221AC/XDC, 222-AC, 222-AC/DC, 222-AC/XDC, 312 RECORDERS, 3500 SERIES.	412022 412023	1FD29C09-B 1FD29C31-R	5 5	
310, 310-S, 2801-T/C1, 2801-V, 2831, 2802-T/C2, 2802-V, 2832, 2833, 2922, 2803-T/C3, 2803-V, 2922, 2923.	412001 412002 412003 412004	1PB3-B04 1PB3-R04 1PB3-N04 1PB3-G04	5 5 5 5	
2921	412025	1FD29C03-B	5	
2922	412026	1FD29C27-R	5	
2923	412027 412030	1FD29C38-N 1FD29C38-B	5 5	
	412015 412016	1FD29C28-B 1FD29C01-R	5 5	



Model	OEM Part	Our Equivalent	Pk	MONSANTO
TENSIOMETER, RHEOGRAPH.	AX102 AX103 AX104 AX105	1SD4-N 1SD4-B 1SD4-G 1SD4-R	10 10 10 10	
SYSTEMS WITH GOERZ RECORDER T670/2.	P5107 P5108 P5109 P5110	1MT081-N 1MT081-R 1MT081-B 1MT081-G	1 1 1 1	
XY METAL PEN .010" BORE.	AP053	9ADV10	1	
XY METAL PEN .007" BORE.	AP054	9ADV07	1	
	AC424 AC431	1CY5-R 1CY5-N	4 4	




CROWN GRAPHIC

MARKING SYSTEMS CATALOGUE

JANUARY 2008

PAGE M18.01

Model	OEM Part	Our Equivalent	Pk	MOORE OREGON
CIRCULAR CHART RECORDERS.	235-0036-00 (QD) 235-0037-00 (QD) 235-0038-00 (QD)	2N300-N02 2N300-R02 2N300-G02	4 4 4	

GRAPHIC CONTROLS LTD, ST PETERS QUAY, TOTNES, DEVON, TQ9 5XH, UK

TEL : +44 (0)1803 860100 FAX : +44 (0)1803 863838 EMAIL : sales@crowng.com WEB : http://www.crowng.com


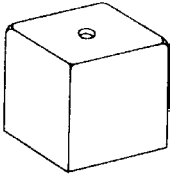
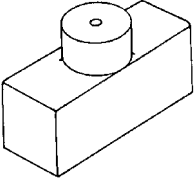
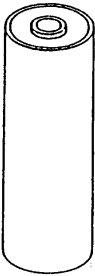


CROWN GRAPHIC

MARKING SYSTEMS CATALOGUE

JANUARY 2008

PAGE M19.01

Model	OEM Part	Our Equivalent	Pk	MOORE PRODUCTS
STRIP CHART RECORDERS 3X6 & 6X6. 5300 SERIES, 363 SERIES.	14230-273	2R310-B		
	14230-274	2R310-R	4	
	14230-275	2R310-G	4	
	14230-424	2R310-R	4	
	14230-425	2R310-B	4	
	14230-426	2R310-G	4	
	14230-79	2R310-O	4	
14230-247-S	4G227246X4	1		
	10752-320 10752-321 10752-322	2S211-R 2S211-B 2S211-G	4 4 4	
	10752-324 10752-325 10752-326	2S411-R 2S411-B 2S411-G	4 4 4	
	10700-183-S 10700-184-S 10700-185-S	2N300-R 2N300-B 2N300-G	4 4 4	
5319,5329,5339 360,361,3601,3611 (3" x 6")	14960-26/16070-26 14960-27/16070-27 14960-28/16070-28	1MX281R01 1MX282B01 1MX283G01	3 3 3	

GRAPHIC CONTROLS LTD, ST PETERS QUAY, TOTNES, DEVON, TQ9 5XH, UK

TEL : +44 (0)1803 860100 FAX : +44 (0)1803 863838 EMAIL : sales@crowng.com WEB : http://www.crowng.com

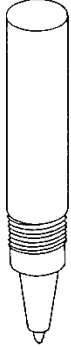


CROWN GRAPHIC

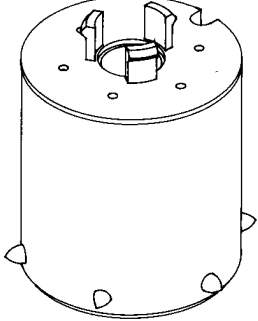
MARKING SYSTEMS CATALOGUE

JANUARY 2008

PAGE M20.01

Model	OEM Part	Our Equivalent	Pk	P.K. MORGAN
		1CY1-N03	3	



Model	OEM Part	Our Equivalent	Pk	MORS
	454910 452 454910 453 454910 454 454910 455	6PW0501 1 col 6PW0601 2 col 6PW0701 3 col 6PW0801 6 col	1 1 1 1	

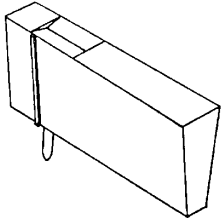
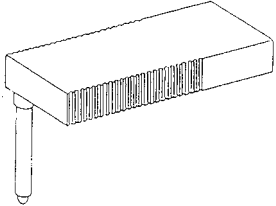


CROWN GRAPHIC

MARKING SYSTEMS CATALOGUE

JANUARY 2008

PAGE M22.01

Model	OEM Part	Our Equivalent	Pk	MOUNT SOPRIS
3310 SERIES.	PF-0501	1FD21-R	10	
	PF-0502	1FD21-N	10	
	PF-0503	1FD21-B	10	
	PF-0504	1FD21-M	10	
	PF-0505	1FD21-V	10	
	PF-0506	1FD21-G	10	
STRIP CHART RECORDERS.	LEFT HAND NIB	1FD29L19-N	5	
		1FD29L19-R	5	
	CENTRE NIB	1FD29L19-N	5	
		1FD29L19-R	5	
	RIGHT HAND NIB	1FD29L19-N	5	

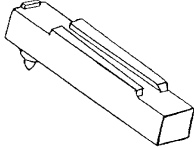
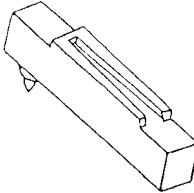


CROWN GRAPHIC

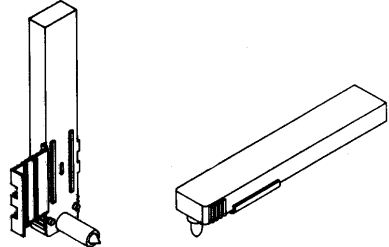
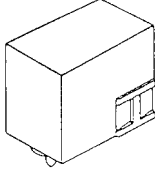
MARKING SYSTEMS CATALOGUE

JANUARY 2008

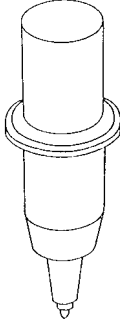
PAGE M23.01

Model	OEM Part	Our Equivalent	Pk	Dr. MULLER
HYDROTHERMO- GRAPH.		1SD7-B 1SD7-G 1SD7-N 1SD7-R 1SD7-V	3 3 3 3 3	
78WF	78WF	1SD11-R 1SD11-V	6 6	



Model	OEM Part	Our Equivalent	Pk	R.W. MUNRO
GALVONOMETRIC STRIP CHART RECORDER.	1A/581/106/SA	9MUNARM	1	
	1A/581/173 SX47	9MR12518716 METAL PEN TIP	1	
TO CONVERT THE RECORDER TO USING A FTD PEN USE THE PARTS LISTED BELOW.				
	SX1461	9KUD197	1	
		1UD242-B	6	
	SX935	1SD4-N5MM	1	
	SX443 BUCKET PEN	9MR01 .012" NIB.	1	
	SX617	4N46X4	1	
	SX730 QUICK DRY	3OZ8-B02	1	
	SX731 QUICK DRY	3CC50-B02	1	
	26A/115/291	9MR02 METAL HOLDER.	1	



Model	OEM Part	Our Equivalent	Pk	MUTOH
IF-200, GP-4230, IP-100, IP-500E, IP-500EL.		1CY20P3-# 1CY20P5-# 1CY20P7-# 1CY20RB-#	5 5 5 5	
<p>WE OFFER THE CY20 FTD PEN SERIES IN A VARIETY OF COLOURS, EITHER A,B,C,G,M,N,O,R,V OR Y.</p>				

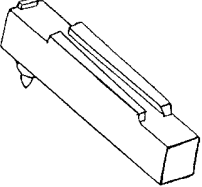


CROWN GRAPHIC

MARKING SYSTEMS CATALOGUE

JANUARY 2008

PAGE N01.01

Model	OEM Part	Our Equivalent	Pk	NAOKO SPOHRER
O/K BAROGRAPH		1SD7-N 1SD7-R 1SD7-V	3 3 3	

GRAPHIC CONTROLS LTD, ST PETERS QUAY, TOTNES, DEVON, TQ9 5XH, UK

TEL : +44 (0)1803 860100 FAX : +44 (0)1803 863838 EMAIL : sales@crowng.com WEB : http://www.crowng.com

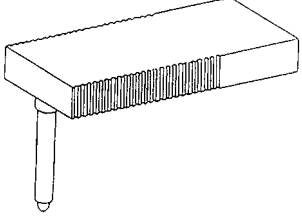


CROWN GRAPHIC

MARKING SYSTEMS CATALOGUE

JANUARY 2008

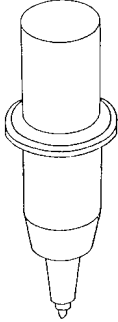
PAGE N02.01

Model	OEM Part	Our Equivalent	Pk	NARCO BIOSYSTEMS
STRIP CHART RECORDERS.	349-0080	1FD29C32-G	5	

GRAPHIC CONTROLS LTD, ST PETERS QUAY, TOTNES, DEVON, TQ9 5XH, UK

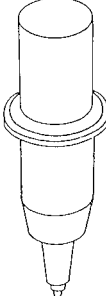
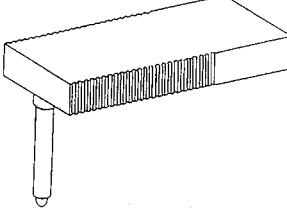
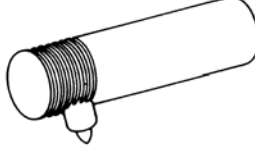
TEL : +44 (0)1803 860100 FAX : +44 (0)1803 863838 EMAIL : sales@crowng.com WEB : http://www.crowng.com



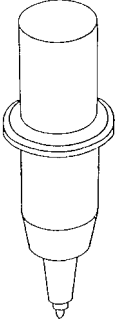
Model	OEM Part	Our Equivalent	Pk	NATIONAL MATSUSHITA
VP-6803P		1CY20P3-# 1CY20P5-# 1CY20P7-# 1CY20RB-#	5 5 5 5	

WE OFFER THE CY20 FTD
PEN RANGE IN A VARIETY
OF COLOURS, EITHER
A,B,C,G,M,N,O,R,V OR Y.



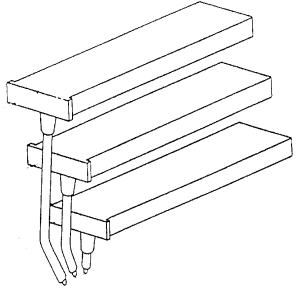
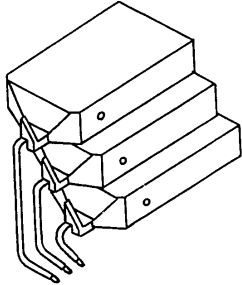
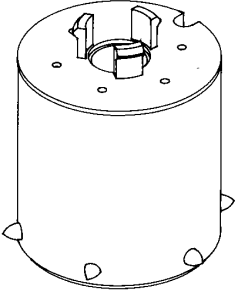
Model	OEM Part	Our Equivalent	Pk	B.N. ELECTRONICS
PL450		1CY20P3-# 1CY20P5-# 1CY20P7-# 1CY20RB-#	5 5 5 5	
<p>WE OFFER THE CY20 FTD PEN RANGE IN A VARIETY OF COLOURS, EITHER A,B,C,G,M,N,O,R,V OR Y.</p>				
MODEL 929		1FD29C09-B 1FD29C09-G 1FD29C09-N 1FD29C09-R 1FD29C31-B 1FD29C31-G 1FD29C31-N 1FD29C31-R	5 5 5 5 5 5 5 5	
MODEL 919		1PB3-B03 1PB3-G03 1PB3-N03 1PB3-R03	5 5 5 5	



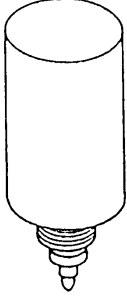
Model	OEM Part	Our Equivalent	Pk	NEOLT
<p>A0 TECHNOPLOT, PL-860.</p>		1CY20P3-#	5	
		1CY20P5-#	5	
		1CY20P7-#	5	
		1CY20RB-#	5	

WE OFFER THE CY20 FTD
PEN RANGE IN A VARIETY
OF COLOURS, EITHER
A,B,C,G,M,N,O,R,V OR Y.



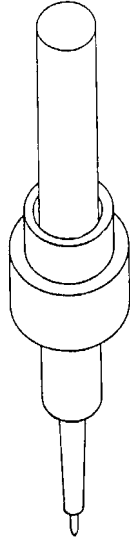
Model	OEM Part	Our Equivalent	Pk	NEUBERGER
LX.. E144 (ST)F		1MT241-B 1MT242-R 1MT243-G	3 3 3	
L..Y144	21763 21764 21765 21766	1MT471-B 1MT472-R 1MT473-G 1MT474-V	1 1 1 1	
P..YS144, P..YE144, P..YM144, P..YV144	17768 17769 17770 17771	6PW05 1col 6PW06 2col 6PW07 3col 6PW08 6col	1 1 1 1	



Model	OEM Part	Our Equivalent	Pk	NEUTRIK
AUDIOGRAPH 330.		1CY4-# 1CY4FL-# 1CY4P3-# 1CY4P5-# 1CY4P7-# 1CY4RB-#	5 5 5 5 5 5	

COLOURS AVAILABLE FOR
THE CY4 FTD PEN RANGE ARE
B,G,M,N,R OR V.



Model	OEM Part	Our Equivalent	Pk	NIXDORF
	4401 41003.00.1.08	1CY10P3-N 1CY10P5-N	5 5	
	4402 41000.00.0.08	1CY10P3-R 1CY10P5-R	5 5	
	4403 41001.00.7.08	1CY10P3-B 1CY10P5-B	5 5	
	4404 41002.00.4.08	1CY10P3-G 1CY10P5-G	5 5	
	4405 41007.00.9.08	1CY10P3-M 1CY10P5-M	5 5	
	4406 41004.00.8.08	1CY10P3-V 1CY10P5-V	5 5	
	4407 41008.00.6.08	1CY10P3-O 1CY10P5-O	5 5	
	4408 41005.00.5.08	1CY10P3-Y 1CY10P5-Y	5 5	
	4409 41009.00.3.08	1CY10P3-A 1CY10P5-A	5 5	
	4410 41006.00.2.08	1CY10P3-C 1CY10P5-C	5 5	



Model	OEM Part	Our Equivalent	Pk	NORMA
NORMACOMP 144X144, 6154-Y.	A6203 12020	1MT461-R	1	
	A6203 12021	1MT462-B	1	
	A6203 12022	1MT463-G	1	
KOMPENSOGRAPH X-Y.	195 5360 74	1MT081-R	1	
		1MT081-N	1	
		1MT081-B	1	
		1MT081-G	1	
SE102, SE110, SE110-02, SE111, SE111-02, SE112, SE122AC, SE122DC, SE124, SE124+, SE420, SE430, SE434, SE434-1, SE790, SM200, SM200-02.	195 5360 74	1MT081-R	1	
	195 5360 75	1MT082-B	1	
	195 5360 76	1MT083-G	1	
NORMACOMP 2001, 2011		1MT251-R	1	
2021		1MT251-R	1	
		1MT252-G	1	
2031		1MT251-R	1	
		1MT252-G	1	
		1MT253-B	1	




CROWN GRAPHIC

MARKING SYSTEMS CATALOGUE

JANUARY 2008

PAGE N09.02

Model	OEM Part	Our Equivalent	Pk	NORMA
FORM 11 X 144, 288 X 144.		1CY7-B 1CY7-N 1CY7-R	6 6 6	

GRAPHIC CONTROLS LTD, ST PETERS QUAY, TOTNES, DEVON, TQ9 5XH, UK

TEL : +44 (0)1803 860100 FAX : +44 (0)1803 863838 EMAIL : sales@crowng.com WEB : <http://www.crowng.com>

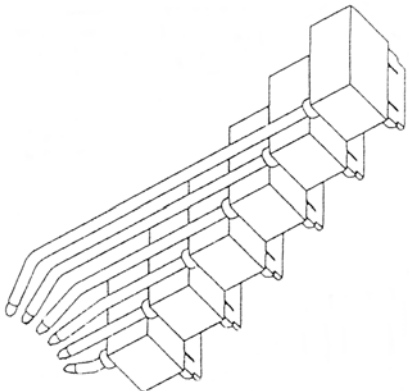


CROWN GRAPHIC

MARKING SYSTEMS CATALOGUE

JANUARY 2008

PAGE N10.01

Model	OEM Part	Our Equivalent	Pk	NOVOCONTROL
IL101/102 FLACH-BETTSCHEIBER.	SHORT PEN	1MT041-G	1	
		1MT042-R	1	
		1MT043-B	1	
		1MT044-M	1	
		1MT045-N	1	
	LONG PEN	1MT046-V	1	

GRAPHIC CONTROLS LTD, ST PETERS QUAY, TOTNES, DEVON, TQ9 5XH, UK

TEL : +44 (0)1803 860100 FAX : +44 (0)1803 863838 EMAIL : sales@crowng.com WEB : http://www.crowng.com

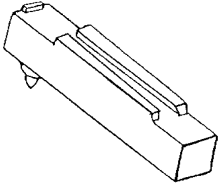


CROWN GRAPHIC

MARKING SYSTEMS CATALOGUE

JANUARY 2008

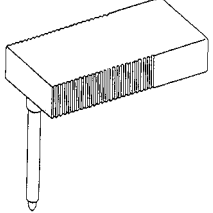
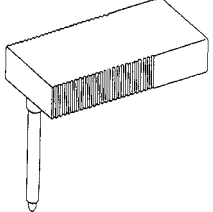
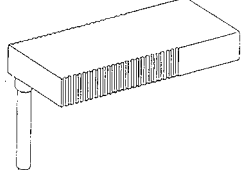
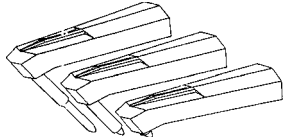
PAGE 001.01

Model	OEM Part	Our Equivalent	Pk	OBSERVATOR
		1SD7-B 1SD7-G 1SD7-N 1SD7-R 1SD7-V	3 3 3 3 3	



Model	OEM Part	Our Equivalent	Pk	OMEGA ENGINEERING
RD541, RD543.	RDX 540-BK1 RDX 540-RD1 RDX 540-GN1 RDX 540-BL1	1MT681-N03 1MT681-R03 1MT681-G03 1MT681-B03	1 1 1 1	
RD542, RD544.	RDX 540-BK1 RDX 540-RD1 RDX 540-GN1 RDX 540-BL1 RDX 540-BK2 RDX 540-RD2 RDX 540-GN2 RDX 540-BL2	1MT681-N03 1MT681-R03 1MT681-G03 1MT681-B03 1MT682-N03 1MT682-R03 1MT682-G03 1MT682-B03	1 1 1 1 1 1 1 1	
RDX545	RDX 545-BK1 RDX 545-RD1 RDX 545-GR1 RDX 545-BL1	1CY19-N 1CY19-R 1CY19-G 1CY19-B	5 5 5 5	
CT400 SERIES TEMP./HUMIDITY RECORDES.	CT-400-PEN-BLUE CT-400-PEN-RED	1UD212-B 1UD211-R	1 1	
RD3023, 3024, 3025 X-Y's. RD3057-11, 12, 13, 21, 22, 23.	RD3020-01 RD3057-01 RD3020-02 RD3057-02	1FD19-R 1FD19-G	3 3	



Model	OEM Part	Our Equivalent	Pk	OMEGA ENGINEERING
595, RD-2053, 63.	0100-0131	1FD29C26-B	5	
	0100-0132	1FD29C38-G	5	
141, 142, 143, RD-145, RD-1201, RD-2010, 20, 51, 53, 61, 63, 81, 81A, 555, 595.	0100-0105	1FD29C09-B	5	
	0100-0106	1FD29C09-R	5	
	0100-0107	1FD29C09-N	5	
	0100-0108	1FD29C09-G	5	
RD-146, RD-1202, RD-1230, 52, 62, 82, 82A, 585.	0100-0105	1FD29C09-B	5	
	0100-0106	1FD29C09-R	5	
	0100-0107	1FD29C09-N	5	
	0100-0108	1FD29C09-G	5	
	0100-0109	1FD29C31-B	5	
	0100-0110	1FD29C31-R	5	
	0100-0111	1FD29C31-N	5	
	0100-0112	1FD29C31-G	5	
RD61, 62, 63 XY's, RD500, 510, RD7510, 7520, 7610, 7620, 7710, 7720.	RDX-7000-RED	1FD29L09-R	5	
	RDX-7000-BK	1FD29L30-N	5	
CT1100, 1100A, 1121, 1200, 1200A, 1205A-MB, 1214, 1221, 1300A, 1305A-MB, 1315, 1700.	CT1000-GR	1FD341-G	5	
	CT1000-RD	1FD342-R	5	
	CT1000-PR	1FD343-V	5	
	CT1000-BL	1FD343-B	5	

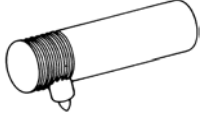
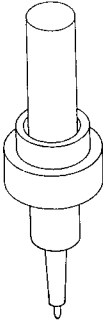
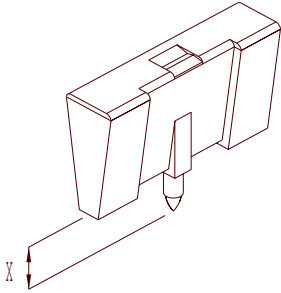


CROWN GRAPHIC

MARKING SYSTEMS CATALOGUE

JANUARY 2008

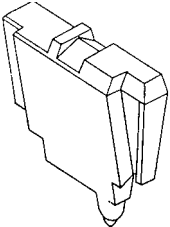
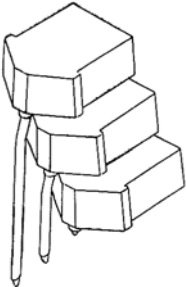
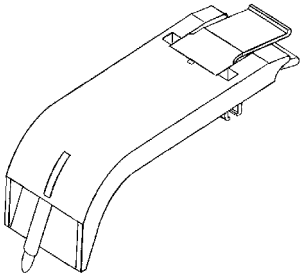
PAGE O02.03

Model	OEM Part	Our Equivalent	Pk	OMEGA ENGINEERING
156	0100-0101 0100-0102 0100-0103 0100-0104	1PB3-B03 1PB3-R03 1PB3-N03 1PB3-G03	5 5 5 5	
DAP781, DAP782.	DAPX-780-BK SL-112 DAPX-780-BL SL-111 DAPX-780-BR SL-114 DAPX-780-GR SL-113 DAPX-780-MG SL-116 DAPX-780-OR SL-117 DAPX-780-RD SL-110 DAPX-780-YW SL-115	1CY10P5-N 1CY10P5-B 1CY10P5-M 1CY10P5-G 1CY10P5-A 1CY10P5-O 1CY10P5-R 1CY10P5-Y	5 5 5 5 5 5	
RD351, 352, 352A, 353, 353A, 354, 355, 356, 364, 364A, 365, 366, 366A.	RDX350-BK RDX350-RD RDX350-BL RDX350-GR RDX350-BR RDX350-VT	1FD3-N 1FD3-R 1FD3-B 1FD3-G 1FD3-M 1FD3-V	1 1 1 1 1 1	

GRAPHIC CONTROLS LTD, ST PETERS QUAY, TOTNES, DEVON, TQ9 5XH, UK

TEL : +44 (0)1803 860100 FAX : +44 (0)1803 863838 EMAIL : sales@crowng.com WEB : http://www.crowng.com



Model	OEM Part	Our Equivalent	Pk	OMEGA ENGINEERING
DAR130, DAR131, DAR132, DAR133, 600/610 SERIES FLATBED, 6400 SERIES.	DARX-130-BK SL-103	1FD33-N	3	
	DARX-130-BL SL-101	1FD33-B	3	
	DARX-130-GN SL-102	1FD33-G	3	
	DARX-130-RD SL-100	1FD33-R	3	
	SL-104	1FD33-M	3	
	SL-105	1FD33-V	3	
790 X-Y, RD6112.	SL-301	1MT081-R	1	
620, 640, RD6110, RD6111.	SL-301	1MT081-R	1	
	SL-302	1MT082-B	1	
630	SL-301	1MT081-R	1	
	SL-302	1MT082-B	1	
	SL-303	1MT083-G	1	
RD3720 SERIES LAB RECORDERS.	RD3720-01 RD3720-02 RD3720-03 RD3720-04	1FD14-R 1FD14-G 1FD14-B 1FD14-M	3 3 3 3	

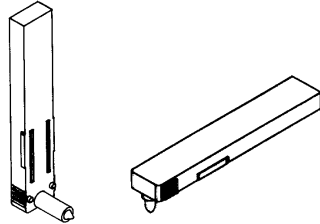
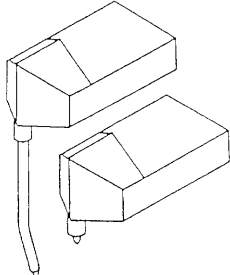
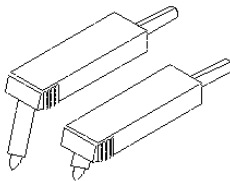


CROWN GRAPHIC

MARKING SYSTEMS CATALOGUE

JANUARY 2008

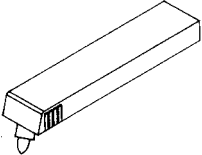
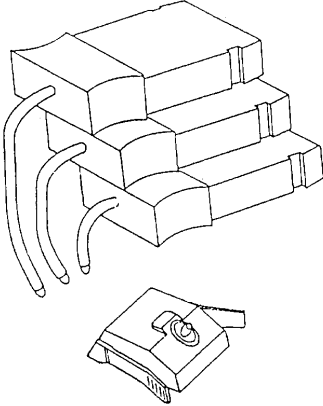
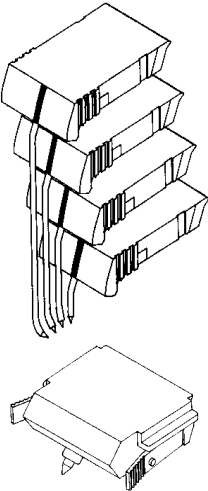
PAGE 002.05

Model	OEM Part	Our Equivalent	Pk	OMEGA ENGINEERING
CT811, CT817, CT821, CT827.	CTH-82-PEN-RED	1UD231-R	2	
RD41-05, RD41-06, RD91, 92, 93, 94, X-Y, X-Y/Y-t, X-Y-Y', X-Y-Y'/Y-t.	RDX40-BK RDX40-BL RDX40-GR RDX40-RD1	1MT272-N 1MT272-B 1MT272-G 1MT272-R	6 6 6 6	
RD42-05, RD42-06, RD46.	RDX40-BK RDX40-BL RDX40-GR RDX40-RD1 RDX40-RD2 RDX40-BK2	1MT272-N 1MT272-B 1MT272-G 1MT272-R 1MT271-R 1MT271-N	6 6 6 6 6 6	
CT7100, 7110, 7102, 7102-XPS, 7114, 7200-MA1-XPS, 7202, 7224.	CT-7000-GREEN CT-7000-RED	1UD131-G 1UD132-R	5 5	
QUICK DRY INK.	SL-200 SL-201 SL-202 SL-203 SL-204 SL-205	3OZ1-R02 3OZ1-B02 3OZ1-G02 3OZ1-N02 3OZ1-M02 3OZ1-V02	1 1 1 1 1 1	

GRAPHIC CONTROLS LTD, ST PETERS QUAY, TOTNES, DEVON, TQ9 5XH, UK

TEL : +44 (0)1803 860100 FAX : +44 (0)1803 863838 EMAIL : sales@crowng.com WEB : http://www.crowng.com



Model	OEM Part	Our Equivalent	Pk	OMEGA ENGINEERING
CTPH, CT483RS, CT485B, CT585B SERIES RECORDERS.	CT485-PR	1UD121-R	1	
	CT485-PB	1UD121-B	1	
	CT485-PS	1UD121MIX01 (1x R,B)	2	
	CT585-PS	1UD121MIX02 (1 x R,G)	2	
	CT585-PS-6	1UD121MIX03 (6x R,B)	12	
	CT485-PS-6	1UD121MIX04 (6 x R,G)	12	
111, 112, 113, 121, 122, 123, RD101, RD102, RD103.	RD100-01	1MT441-R	3	
	RD100-02	1MT442-G	3	
	RD100-03	1MT443-B	3	
	RD100-11	1MT44P3-V	3	
RD100A, RD1800 SERIES.	RD100A-01	1MT984-R	3	
	RD100A-02	1MT983-G	3	
	RD100A-03	1MT982-B	3	
	RD100A-04	1MT981-A	3	
	RD100A-11	1MT98P3-V	3	

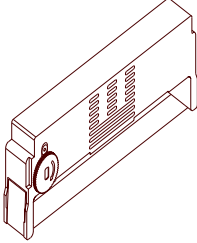
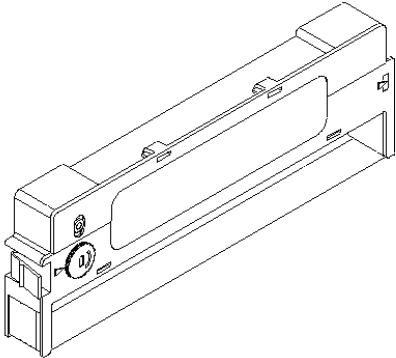


CROWN GRAPHIC

MARKING SYSTEMS CATALOGUE

JANUARY 2008

PAGE 002.07

Model	OEM Part	Our Equivalent	Pk	OMEGA ENGINEERING
RD106	RD100-RC	8RIBBON01	1	
RD1806, RD1812, RD1818, RD1824.	RD110-RC	8RIBBON02	1	

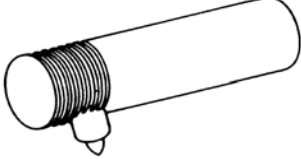


CROWN GRAPHIC

MARKING SYSTEMS CATALOGUE

JANUARY 2008

PAGE O03.01

Model	OEM Part	Our Equivalent	Pk	ORTEC
STRIP CHART RECORDERS.	64547	1PB3-B03 1PB3-G03 1PB3-N03 1PB3-R03 1PB3-V03	5 5 5 5 5	

GRAPHIC CONTROLS LTD, ST PETERS QUAY, TOTNES, DEVON, TQ9 5XH, UK

TEL : +44 (0)1803 860100 FAX : +44 (0)1803 863838 EMAIL : sales@crowng.com WEB : http://www.crowng.com

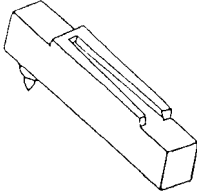


CROWN GRAPHIC

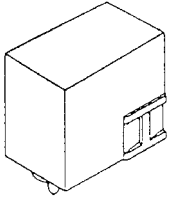

MARKING SYSTEMS CATALOGUE

JANUARY 2008

PAGE 004.01

Model	OEM Part	Our Equivalent	Pk	OTA
		1SD11-R 1SD11-V	6 6	



Model	OEM Part	Our Equivalent	Pk	OXFORD INSTRUMENTS
3000 RECORDERS		1SD4-B 1SD4-G 1SD4-N 1SD4-R 1SD4-V	10 10 10 10 10	
<div data-bbox="277 850 846 1010" style="border: 1px solid black; padding: 5px; width: fit-content;"> <p>WE OFFER THE CY4 RANGE WITH EITHER A STD, FL, P3, P5, P7 OR A RB TIP TYPE. THE COLOURS WHICH WE CAN SUPPLY ARE B,G,M,N,R OR V.</p> </div>		1CY4-#	5	

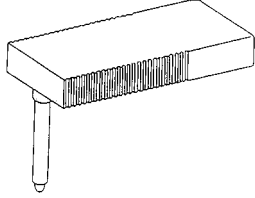


CROWN GRAPHIC

MARKING SYSTEMS CATALOGUE

JANUARY 2008

PAGE O06.01

Model	OEM Part	Our Equivalent	Pk	OXIMETRICS
STRIP CHART RECORDERS.	35501	1FD29C20-N	5	




CROWN GRAPHIC

MARKING SYSTEMS CATALOGUE

JANUARY 2008

PAGE P01.01

Model	OEM Part	Our Equivalent	Pk	PALMER BIOSCIENCE
	810-82000-1	1CY4-N 1CY4-R 1CY4-B 1CY4-G 1CY4-V	5 5 5 5 5	

GRAPHIC CONTROLS LTD, ST PETERS QUAY, TOTNES, DEVON, TQ9 5XH, UK

TEL : +44 (0)1803 860100 FAX : +44 (0)1803 863838 EMAIL : sales@crowng.com WEB : http://www.crowng.com

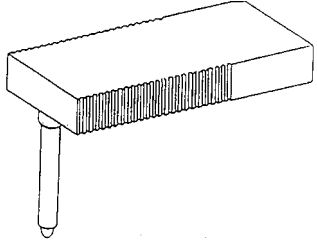


CROWN GRAPHIC

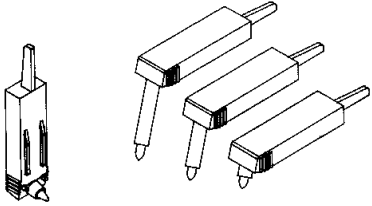
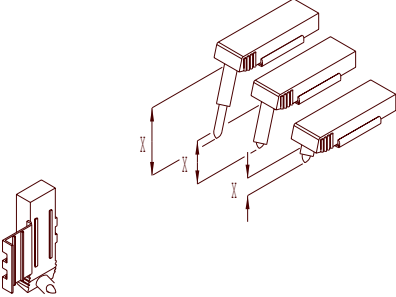
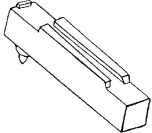
MARKING SYSTEMS CATALOGUE

JANUARY 2008

PAGE P02.01

Model	OEM Part	Our Equivalent	Pk	PANTOS
U228, US228	PC200R	1FD29C25-R	5	
	PC700G	1FD29C29-G	5	



Model	OEM Part	Our Equivalent	Pk	PARTLOW
ARC4100, ER, ERC, ET, ETC, ETRR, EV, EVC, HTST, MRC5000, MRC7000, MRC7700, MRC7800, MRC8000, RDW, RDWET, RFC, RFH, RFH-J73, RFH-J700, RFH-755, RFP, STLR3, TRDW, TRLW.	605-00-401 644-017-01	1UD131-G	5	
	605-00-402 644-017-02	1UD132-R	5	
	605-00-403 644-017-03	1UD131-R	5	
	605-00-404 644-017-04	1UD133-R	5	
	605-00-405	1UD133-G	5	
<div style="border: 1px solid black; padding: 5px; width: fit-content; margin: 0 auto;"> <p>FOR RECORDERS CONVERTED TO USE G.C. PEN ARMS TO USE 82-32 SERIES "SNAP ON" PENS USE THE FOLLOWING.</p> </div>				
	605-00-401	1UD111-G	5	
	605-00-402	1UD112-R	5	
	605-00-403	1UD111-R	5	
	605-00-404	1UD113-R	5	
	605-00-405	1UD113-G	5	
	605-00-501	1SD7-R	3	

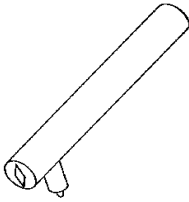


CROWN GRAPHIC

MARKING SYSTEMS CATALOGUE

JANUARY 2008

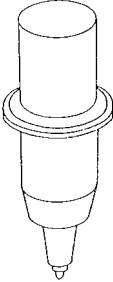
PAGE P04.01

Model	OEM Part	Our Equivalent	Pk	PEELFORCE
GPD PEELFORCE TESTER MODEL 856	701B 701RD 701BL	1PB5-N 1PB5-R 1PB5-B	5 5 5	

GRAPHIC CONTROLS LTD, ST PETERS QUAY, TOTNES, DEVON, TQ9 5XH, UK



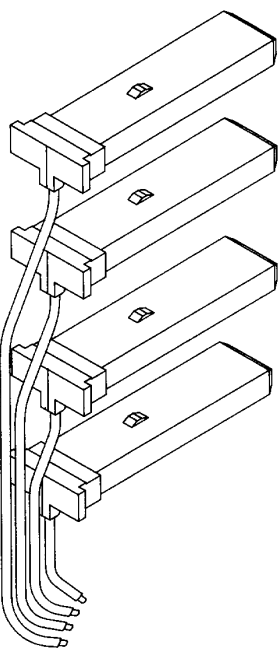
TEL : +44 (0)1803 860100 FAX : +44 (0)1803 863838 EMAIL : sales@crowng.com WEB : http://www.crowng.com



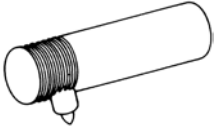
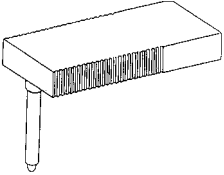
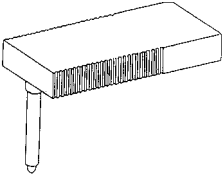
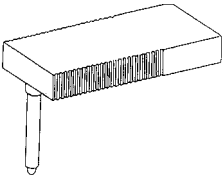
Model	OEM Part	Our Equivalent	Pk	PENMAN	
PENMAN PLOTTERS	LA234654	1CY20P3-R	5		
	LA234655	1CY20P3-B	5		
	LA234656	1CY20P3-G	5		
	LA234657	1CY20P3-N	5		
			1CY20P3-A		5
			1CY20P3-C		5
			1CY20P3-M		5
			1CY20P3-O		5
			1CY20P3-V		5
			1CY20P3-Y		5
		LA234650	1CY20P3MIX01 (1x RBGN)		4
		LA234662	1CY20P7-R		5
		LA234663	1CY20P7-B		5
		LA234664	1CY20P7-G		5
		LA234665	1CY20P7-N		5
			1CY20P7-A		5
			1CY20P7-C		5
			1CY20P7-M		5
			1CY20P7-O		5
			1CY20P7-V		5
		1CY20P7-Y	5		
	LA234651	1CY20P7MIX01 (1x RBGN)	4		

WE CAN ALSO SUPPLY THE CY20 PEN SERIES WITH EITHER A P5 OR RB TIP OPTION. FOR THE AVAILABLE COLOURS REFER TO THE P7 LIST ABOVE.



Model	OEM Part	Our Equivalent	Pk	PENNY & GILES
CAPILLARY STRIP CHART RECORDERS.	P39077/1	2PGN375-R	4	
	P39077/2	2PGN375-N	4	
	P39077/3	2PGN375-G	4	
	P39077/4	2PGN375-B	4	
	P39077/5	2PGN375-V	4	
		4N38X4 TIP	1	
		7RB PRIMING BULB	1	
	P37413	9ROLPG	1	
<p>IF THE RECORDER HAS BEEN CONVERTED TO FTD PENS THEN USE THE PENS LISTED BELOW.</p>				
DPSR STRIPRITE RECORDER	SA84515	1MX121-R	2	
	SA84516	1MX122-N	2	
	SA84517	1MX123-G	2	
	SA84518	1MX124-B	2	



Model	OEM Part	Our Equivalent	Pk	PERKIN ELMER
MODEL 23 SINGLE CHANNEL	023-1253	1PB3-R03	5	
561D	023-1254	1FD29C31-R	5	
	023-1255	1FD29C09-G	5	
LC55, 56, 200, 601, 604, MODEL 123, 550, 551, 557, 571, 572, 575, H056-001, 220, 561H, 561L, 561M, 571, 572, 575.	040-1740 023-0567 CP-285010	1FD29C09-N	5	
	040-1741 023-0568 CP-285040	1FD29C09-R	5	
	040-1742 023-0566 CP-285030	1FD29C09-B	5	
	040-1743 023-0569 CP-285020	1FD29C09-G	5	
57-0200, 57-0100, 57-0130	28501-J 28502-J 28503-J 28504-J	1FD29C14-N	5	
		1FD29C14-G	5	
		1FD29C14-B	5	
		1FD29C14-R	5	

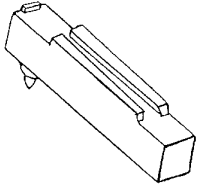
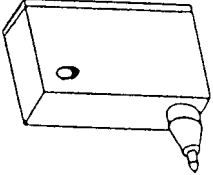
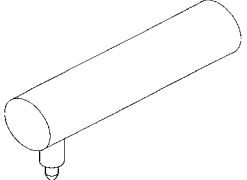


Model	OEM Part	Our Equivalent	Pk	PERKIN ELMER
77, 157, 167, 197, 225, 267, 281, 283, 297, 323, 340, 357, 397, 399, 402, 457, 467, 552S, 554, 555, 556, 557, 567, 580B, 597, 299, 399, 599, 180, 34, 700, 720, 566, -727B & -735B, H0050125, 701B, AS 211-0670.	211-0670 132884 0497-0090	1CY1-R02	3	
	211-0671 0497-0092 067809 094018	1CY1-N02	3	
	211-0672 132886 0497-0089	1CY1-G02	3	
	211-067X 132885 0497-0091	1CY1-B02	3	
	132887 06-7808	1CY1-V02 1CY102MIX01 (2x N, 1x RBGV)	3 6	
56S, 56D, 159, 165, 169, QPD 33, 56M	053764 053869 053870 053871 053872	1CY9-R 1CY9-N 1CY9-B 1CY9-V 1CY9-G	6 6 6 6 6	
PEX-Y1, Y2		1FD21-#	10	
<div style="border: 1px solid black; padding: 5px; width: fit-content; margin: 0 auto;"> <p>COLOURS AVAILABLE ARE EITHER A,B,C,G,M,N,O,R,V OR Y.</p> </div>				

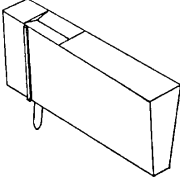
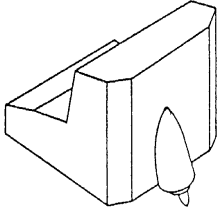
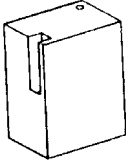
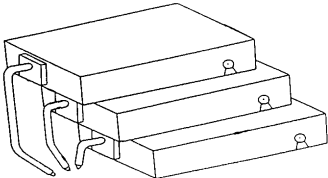
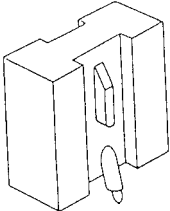


Model	OEM Part	Our Equivalent	Pk	PERKIN ELMER
237 INFRA-RED SPECTROPHOTO-METER	496-2855	9PE01	1	
<div style="border: 1px solid black; padding: 5px; width: fit-content; margin: 0 auto;">TO CONVERT THE ABOVE RECORDER TO TAKE FTD PENS USE THE PARTS LISTED BELOW.</div>				
1R 137, 1R 237.	496-2855	9KPB21 1PB21-R	1 1	
	159-2110	9PE02	1	


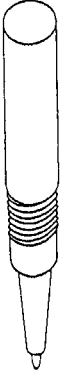
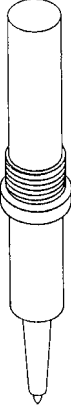


Model	OEM Part	Our Equivalent	Pk	GEBR PFORTNER
		1SD7-B 1SD7-G 1SD7-N 1SD7-R 1SD7-V	3 3 3 3 3	
		1SD5-B 1SD5-G 1SD5-N 1SD5-R 1SD5-V	6 6 6 6 6	
		1PB717.5MM-B 1PB717.5MM-G 1PB717.5MM-N 1PB717.5MM-R 1PB717.5MM-V	6 6 6 6 6	

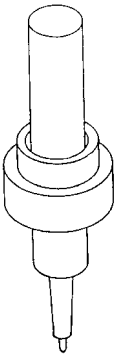


Model	OEM Part	Our Equivalent	Pk	PHILIPS
A3 SIZE XY RECORDERS PM8032, PM8033, PM8133, PM8134, A4 SIZE XY RECORDERS PM8042, PM8043, PM8143, PM8132, PM8224, PM8226, PM8104, PM8114, PM8106, PM8116, PM8132.	PM9875R/01 PM9875B/01 PM9875G/01 PM9875U/01 PM9875V/01 PM9875A/01	1FD21-R 1FD21-B 1FD21-G 1FD21-M 1FD21-V 1FD21-N	10 10 10 10 10 10	
PM8000, PM8100	PM9805/03 PM9807/03	1SD24-R 1SD24-B	6 6	
PM8125, PM8132	PM9852/01 PM9853/01	2ZB03-R 2ZB03-B	4 4	
KS3270 SERIES	4012 027 45447 4012 027 45448 4012 027 45449	1MT501-R 1MT502-G 1MT503-G	1 1 1	
PCS	4012 151 29731 4012 151 29741	1SD21-R 1SD21-V	6 6	

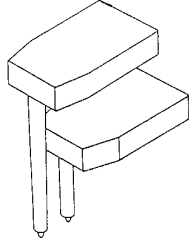
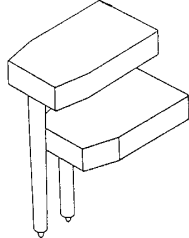
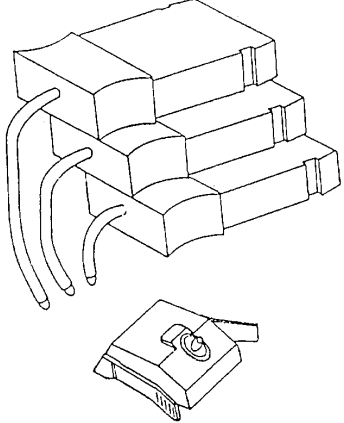
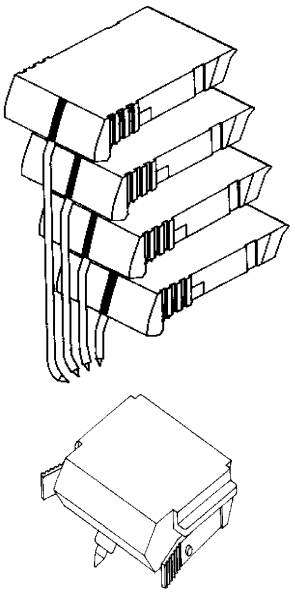


Model	OEM Part	Our Equivalent	Pk	PHILIPS
PM8041, PM8141, PM8125, PU8800, PM8262, PM8261, PM8271, PM8272, PM8071, PM8072, PM8277, PM8278, AR55, PM8120, PM8200, SP90, SP1000, SP1025, SP1050, SP1100, SP1900, SP2000, SP4000, SP3-100, SP4-300, SP8-100, SP8-200, SP8-500.	PM9856/01 PM9857/01	1CY1-B01 1CY1-R01	3 3	
SP8 UV/VISIBLE SPECTROPHOTO- METER.	228-33001 228-33011 228-33021 062-21003 062-21004	1CY102-G02 1CY102-B02 1CY102-N02 1CY102-R02 1CY102MIX01 (1x RBGNV)	3 3 3 3 5	
PM8153	PM9856/20	1CY15-B	5	

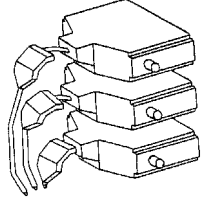
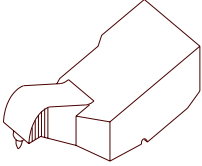
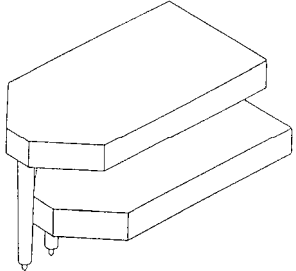
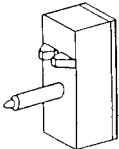


Model	OEM Part	Our Equivalent	Pk	PHILIPS
PM8351		1MT081-N 1MT081-R 1MT081-B 1MT081-G	1 1 1 1	
PM8151, PM8155	PM9876A/01 9443 198 76011 PM9876B/01 9443 298 76011 PM9876G/01 9443 598 76011 PM9876R/01 9443 898 76011 PM9876U/01 9443 898 76011 PM9876V/01 9443 898 76011 PM9876M/01 9443 898 76011 PM9876S/90 PM9876S/901 PM9955/01 9443 099 55011 PM9955/05	1CY10P5-N 1CY10P5-B 1CY10P5-G 1CY10P5-R 1CY10P5-M 1CY10P5-V 1CY10P5-O 1CY10P5-A 1CY10P5-C 1CY10P5-Y 1CY10P5MIX33 (2x NRBGV) 1CY10P5MIX34 (2x NRBG) 1CY10P5MIX35 (2x VYM0)	5 5 5 5 5 5 5 5 5 10 8 8	
<div style="border: 1px solid black; padding: 5px; width: fit-content; margin: 0 auto;"> <p>WE ALSO OFFER A P3, P7 & RB TIP OPTION. FOR AVAILABLE COLOURS SEE THE P5 LISTING ABOVE.</p> </div>				



Model	OEM Part	Our Equivalent	Pk	PHILIPS
COMPRECORDER PM8132, PM8245.	PM9856/10	1FD24-B	10	
	PM9856R/10	1FD24-R	10	
	PM9857/10	1FD23-R	10	
COMPRECORDER PM8240, PM8041, PM8131, PM8236, PM8141 new version.	PM9856/10	1FD24-B	10	
	PM9856A/10	1FD24-N	10	
	PM9856R/10	1FD24-R	10	
KS3430 9404 34...	4012 027 45491	1MT441-R	3	
	4012 027 45492	1MT442-G	3	
	4012 027 45493	1MT443-B	3	
	4012 027 45495	1MT44P3-V	3	
KS3540	4012-027-45513	1MT981-A	3	
	4012-027-45512	1MT982-B	3	
	4012-027-45511	1MT983-G	3	
	4012-027-45519	1MT984-R	3	
	4012-027-45514	1MT98P3-V	3	



Model	OEM Part	Our Equivalent	Pk	PHILIPS
KS3930A, KS3930B	4012-027-45518	1MT461-R	1	 
	4012-027-45519	1MT462-B	1	
	4012-027-45521	1MT463-G	1	
	4012-027-45537	1FD07-N	1	
MINI-RECORDER PM8110, MODUL COMPACT RECORDER PM8202.	PM9856/05	1FD25-B	10	
COMPACT RECORDER PM8071, PM8203, PM8251, PM8261, PM8271, PM8277.	PM9857/05 PM9857B/05	1FD26-R 1FD26-B	10 10	
MODUL COMPACT RECORDER PM8222, COMPACT RECORDER PM8072, PM8252, PM8262, PM8272, PM8278.	PM9856/05 PM9857/05 PM9857B/05	1FD25-B 1FD26-R 1FD26-B	10 10 10	
TRANSOCOMP 250	2812 062 21001	1SD32-B02	6	



CROWN GRAPHIC

MARKING SYSTEMS CATALOGUE

JANUARY 2008

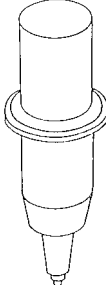
PAGE P09.06

Model	OEM Part	Our Equivalent	Pk	PHILIPS
TRANSOKOMP 300, 350.	4012 027 45498	8RIBBON04	1	

GRAPHIC CONTROLS LTD, ST PETERS QUAY, TOTNES, DEVON, TQ9 5XH, UK

TEL : +44 (0)1803 860100 FAX : +44 (0)1803 863838 EMAIL : sales@crowng.com WEB : http://www.crowng.com



Model	OEM Part	Our Equivalent	Pk	PICOM
MP4002, MP4503		1CY20P3-# 1CY20P5-# 1CY20P7-# 1CY20RB-#	5 5 5 5	
<p>WE CAN SUPPLY THE CY20 RANGE IN A VARIETY OF COLOURS, EITHER A,B,C,G,M,N,O,R,V OR Y.</p>				

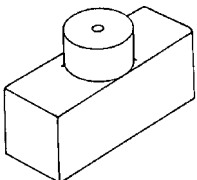


CROWN GRAPHIC

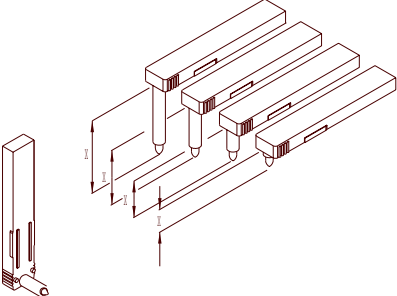
MARKING SYSTEMS CATALOGUE

JANUARY 2008

PAGE P11.01

Model	OEM Part	Our Equivalent	Pk	PIGNONE
	3658.431.100 3658.432.100 3658.433.100	2S411-G 2S411-R 2S411-B	4 4 4	



Model	OEM Part	Our Equivalent	Pk	POWERS
	720-101	1UD231-B	2	
	720-102	1UD232-R	2	
	720-103	1UD233-G	2	
	720-104	1UD234-N	2	

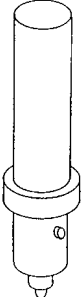



CROWN GRAPHIC

MARKING SYSTEMS CATALOGUE

JANUARY 2008

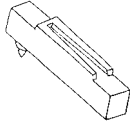
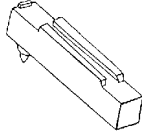
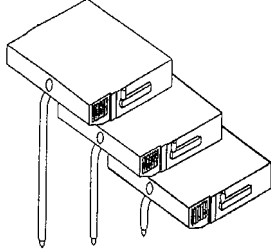
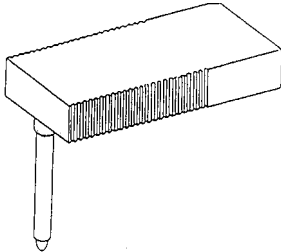
PAGE P13.01

Model	OEM Part	Our Equivalent	Pk	PRINCETON APPLIED R
9009 X-Y, 374 X-Y.	3000-0055-08 3000-0056-07 3000-0057-06 3000-0058-05	1CY14-R 1CY14-B 1CY14-G 1CY14-N	5 5 5 5	
	3000-0077-02 3000-0077-01 3000-0076-03 3000-0075-04	1CY5-G 1CY5-R 1CY5-B 1CY5-N	4 4 4 4	

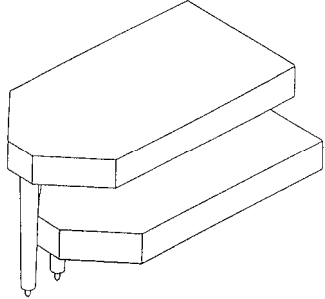
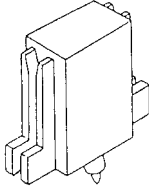
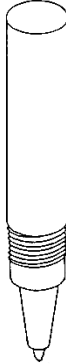
GRAPHIC CONTROLS LTD, ST PETERS QUAY, TOTNES, DEVON, TQ9 5XH, UK

TEL : +44 (0)1803 860100 FAX : +44 (0)1803 863838 EMAIL : sales@crowng.com WEB : http://www.crowng.com



Model	OEM Part	Our Equivalent	Pk	QUALIMETRICS
THERMOGRAPH RECORDERS.	88101 88102	1SD11-B 1SD11-R	6 6	
THERMOGRAPH RECORDERS.	50257 50258 50259	1SD7-R 1SD7-V 1SD7-B	3 3 3	
8761A	87611	1MT871-R	1	
8760A	87611 87612	1MT871-R 1MT872-G	1 1	
8741 SEKONIC	8817 88171	1FD29C09-R 1FD29C09-B	5 5	
8740 SEKONIC 4" UNIT	8817 88171 8816 88161	1FD29C09-R 1FD29C09-B 1FD29C46-R 1FD29C46-B	5 5 5 5	



Model	OEM Part	Our Equivalent	Pk	RADIOMETER
TC-RECORDER, TCR-2.	984-806	1FD25-B	10	
	984-805	1FD26-R	10	
TCM200.	984-807 984-808	1SD22-R 1SD22-B	6 6	
REC 51, REC 61, REC 80, REA 310.	D-199B D-199G D-199N D-199R D-199V	1CY1-N01 1CY1-R01 1CY1-B01 1CY1-G01 1CY1FL-B 1CY1FL-G 1CY1FL-N 1CY1FL-R 1CY1FL-V	3 3 3 3 3 3 3 3 3	

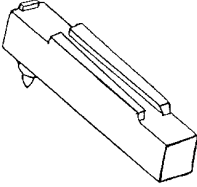


CROWN GRAPHIC

MARKING SYSTEMS CATALOGUE

JANUARY 2008

PAGE R02.01

Model	OEM Part	Our Equivalent	Pk	RATONA
THERMOHYDRO- GRAPH MODELS 9705, 9706, 9708.		1SD7-B 1SD7-G 1SD7-N 1SD7-R 1SD7-V	3 3 3 3 3	

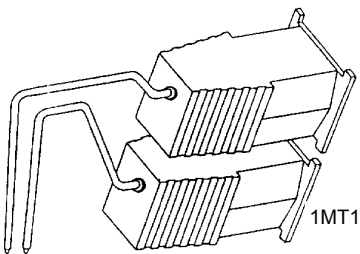

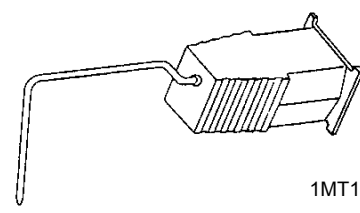
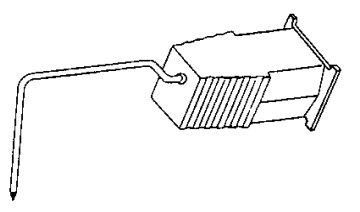
GRAPHIC CONTROLS LTD, ST PETERS QUAY, TOTNES, DEVON, TQ9 5XH, UK

TEL : +44 (0)1803 860100 FAX : +44 (0)1803 863838 EMAIL : sales@crowng.com WEB : http://www.crowng.com



Model	OEM Part	Our Equivalent	Pk	RECORD ELECTRICAL	
FIBRE TIP CAPILLARY SYSTEMS.	214098501	4B221046X4 WRITING TIP	1		
	214101501	TIP001 TIP LOADER	1		
	217002401	2N750-R	2		
	217002402	2N750-B	2		
	217002403	2N750-G	2		
	217002404	2N750-N	2		
	INK CART. & ROL (TO CONVERT FROM ORIGINAL SCREW TOP TO BOTTLE)	217002405	2N750RWKIT05		1
		217002406	2N750RWKIT06		1
		217002407	2N750RWKIT07		1
		217002408	2N750RWKIT08		1
	AS ABOVE PLUS FIBRE TIP.	217002409	2N750RWKIT09		1
		217002410	2N750RWKIT10		1
217002411		2N750RWKIT11	1		
217002412		2N750RWKIT12	1		
<div style="border: 1px solid black; padding: 5px; width: fit-content; margin: 0 auto;"> <p>CONVERSION KITS ARE AVAILABLE FOR ANY NON CONVERTED RECORDERS STILL USING THE OLD STYLE CAPILLARY SYSTEMS.</p> </div>					
SERVEX, M.S.R. RANGER MODEL RECORDERS. (LOWER CHANNEL)	6220-351 6280-240 217015101 217016401	1MT15-R03	2		
	6220-353 6280-243 217015104 217016404	1MT15-B03	2		



Model	OEM Part	Our Equivalent	Pk	RECORD ELECTRICAL
(ELEC CHART, TUNGSTEN TIP)	6220-354 6280-244 217015105 217016405	1MT15-NET	1	
(UPPER CHANNEL)	6220-352 6280-241 217015102 217016402	1MT16-G03	1	
	217018402	1MT17-R03	1	
(ELEC CHART TUNGSTEN TIP)	217021701	1MT17-NET	1	

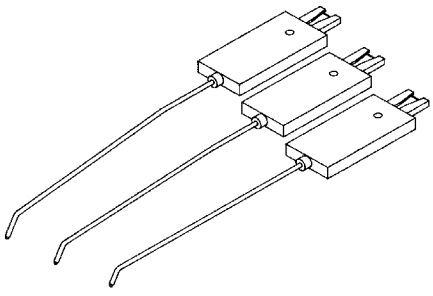
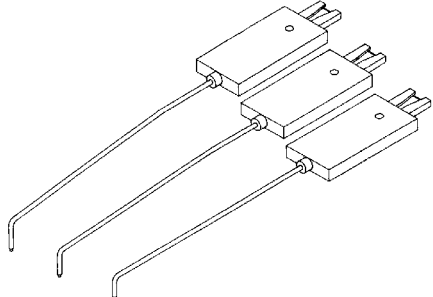


CROWN GRAPHIC

MARKING SYSTEMS CATALOGUE

JANUARY 2008

PAGE R04.01

Model	OEM Part	Our Equivalent	Pk	REYNOLDS EQUIP. CO
	36-001A 36-002A	1MX061-N 1MX061-B	3 3	
	36-003A	1MX062-R	3	
	36-004A	1MX063-G	3	
	36-001B 36-002B	1MX051-N 1MX051-B	3 3	
	36-003B	1MX052-R	3	
	36-004B	1MX053-G	3	

GRAPHIC CONTROLS LTD, ST PETERS QUAY, TOTNES, DEVON, TQ9 5XH, UK

TEL : +44 (0)1803 860100 FAX : +44 (0)1803 863838 EMAIL : sales@crowng.com WEB : http://www.crowng.com

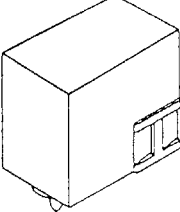


CROWN GRAPHIC

MARKING SYSTEMS CATALOGUE

JANUARY 2008

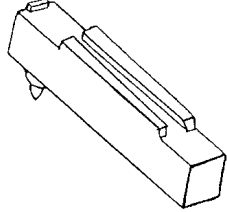
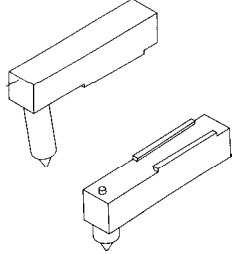
PAGE R05.01

Model	OEM Part	Our Equivalent	Pk	RHEOMAT
RHEOMAT 30.		1SD4-B 1SD4-G 1SD4-N 1SD4-R	10 10 10 10	

GRAPHIC CONTROLS LTD, ST PETERS QUAY, TOTNES, DEVON, TQ9 5XH, UK

TEL : +44 (0)1803 860100 FAX : +44 (0)1803 863838 EMAIL : sales@crowng.com WEB : http://www.crowng.com



Model	OEM Part	Our Equivalent	Pk	RICHARD & PEKLY
THERMO-HYGROGRAPH.	97601 397 006 01 880 976 01	1SD7-V	3	
	97603 397 006 03 880 976 03	1SD7-R	3	
	97602 397 006 02 880 976 02	1SD7-N	3	
		1SD7-B	3	
	S97611 S97613	1SD92-B 1SD91-R	2 2	



CROWN GRAPHIC

MARKING SYSTEMS CATALOGUE

JANUARY 2008

PAGE R07.01

Model	OEM Part	Our Equivalent	Pk	RIKADENKI
DB-1	4620/I	1MT01A1-R	1	
DB-2	4620/I 4620/II	1MT01A1-R 1MT01A2-N	1 1	
DB-3	4620/I 4620/II 4620/III	1MT01A1-R 1MT01A2-N 1MT01A3-B	1 1 1	
DB-4, KA-43, KB-48, KB-481.	4620/I 4620/II 4620/III 4620/IV	1MT01A1-R 1MT01A2-N 1MT01A3-B 1MT01A4-M	1 1 1 1	
DB-5, KA-52, KB-58, KB-581.	4620/I 4620/II 4620/III 4620/IV 4620/V	1MT01A1-R 1MT01A2-N 1MT01A3-B 1MT01A4-M 1MT01A5-V	1 1 1 1 1	
DB-6, KA-62, KB-68, KB-681.	4620/I 4620/II 4620/III 4620/IV 4620/V 4620/VI	1MT01A1-R 1MT01A2-N 1MT01A3-B 1MT01A4-M 1MT01A5-V 1MT01A6-G	1 1 1 1 1 1	
RW SERIES X-Y RECORDERS.	06803002	1FD29C05-N	5	

GRAPHIC CONTROLS LTD, ST PETERS QUAY, TOTNES, DEVON, TQ9 5XH, UK

TEL : +44 (0)1803 860100 FAX : +44 (0)1803 863838 EMAIL : sales@crowng.com WEB : http://www.crowng.com



CROWN GRAPHIC

MARKING SYSTEMS CATALOGUE

JANUARY 2008

PAGE R07.02

Model	OEM Part	Our Equivalent	Pk	RIKADENKI
B-18, B-181, B-108, B-1081.	4939/I	1MT01B1-R	1	
B-28, B-281, B-208, B-2081.	4939/I 4939/II	1MT01B1-R 1MT01B2-N	1 1	
B-38, B-381, B-308, B-3081.	4939/I 4939/II 4939/III	1MT01B1-R 1MT01B2-N 1MT01B3-B	1 1 1	
B-408, B-4081.	4939/I 4939/II 4939/III 4939/IV	1MT01B1-R 1MT01B2-N 1MT01B3-B 1MT01B4-M	1 1 1 1	
B-508, B-5081.	4939/I 4939/II 4939/III 4939/IV 4939/V	1MT01B1-R 1MT01B2-N 1MT01B3-B 1MT01B4-M 1MT01B5-V	1 1 1 1 1	
B-608, B-6081.	4939/I 4939/II 4939/III 4939/IV 4939/V 4939/VI	1MT01B1-R 1MT01B2-N 1MT01B3-B 1MT01B4-M 1MT01B5-V 1MT01B6-G	1 1 1 1 1 1	

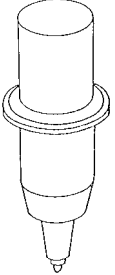

GRAPHIC CONTROLS LTD, ST PETERS QUAY, TOTNES, DEVON, TQ9 5XH, UK

TEL : +44 (0)1803 860100 FAX : +44 (0)1803 863838 EMAIL : sales@crowng.com WEB : http://www.crowng.com



Model	OEM Part	Our Equivalent	Pk	RIKADENKI
R-11, R-21, R-101, R-201, R-301.	4658/I	1MT711-R	1	
R-12, R-22, R-102, R-202, R-302.	4658/I 4658/II	1MT711-R 1MT712-N	1 1	
R-13, R-103, R-303.	4658/I 4658/II 4658/III	4658/I 4658/II 4658/III	1 1 1	
R-14, R-104, R-304.	4658/I 4658/II 4658/III 4658/IV	1MT711-R 1MT712-N 1MT713-B 1MT714-M	1 1 1 1	
R-15, R-105, R-305.	4658/I 4658/II 4658/III 4658/IV 4658/V	1MT711-R 1MT712-N 1MT713-B 1MT714-M 1MT715-V	1 1 1 1 1	
R-16, R-106, R-306.	4658/I 4658/II 4658/III 4658/IV 4658/V 4658/VI	1MT711-R 1MT712-N 1MT713-B 1MT714-M 1MT715-V 1MT716-G	1 1 1 1 1 1	
	4658/VII 4658/VIII 4658/IX 4658/X	1MT717-A 1MT718-C 1MT719-O 1MT710-L	1 1 1 1	



Model	OEM Part	Our Equivalent	Pk	RIKADENKI
RY110M RY5200		1CY20P3-# 1CY20P5-# 1CY20P7-# 1CY20RB-#	5 5 5 5	
<div style="border: 1px solid black; padding: 5px; width: fit-content; margin: 0 auto;"> <p>THE CY20 FTD PEN SERIES IS AVAILABLE IN A VARIETY OF COLOURS, EITHER A,B,C,G,M,N,O,R,V OR Y.</p> </div>				
PLOTTERS & X-Y RECORDERS. BW-133, RY-1MZ, RY-2M, RY-10MZ, RY-11, RY-11Z, RY-20M, RY-21, RY-101, RY-101Z, RY-102, RY-102Z, RY-201, TO2N1.	4767/I 4767/II 4767/III 4767/IV 4767/V 4767/VI	1CY10201-R 1CY10201-N 1CY10201-B 1CY10201-M 1CY10201-V 1CY10201-G 1CY10201-C 1CY10201-A 1CY10201-O 1CY10201-Y	3 3 3 3 3 3 3 3 3 3	
<div style="border: 1px solid black; padding: 5px; width: fit-content; margin: 0 auto;"> <p>WE CAN ALSO SUPPLY A LONGER BODIED PEN OUR REF 1CY103.</p> </div>				



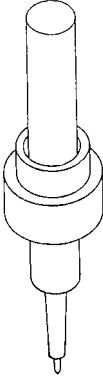
Model	OEM Part	Our Equivalent	Pk	ROBERTSHAW
<p>WE OFFER A REPLACEMENT ARM TO PERMIT THE USE OF OUR 1UD24 FTD PEN SERIES. HOWEVER IF THE RECORDER HAS BEEN CONVERTED TO FTD PENS ALREADY OUR 1UD24 SERIES CAN STILL BE USED.</p>				
A100 (1+2 PEN), A200 (1-3 PEN), B100 (1+2 PEN).	99761A1 99761A2 99761A3 99761A4 82667A1 82667A2 82667A3	9KUD1928 1UD241-# 1UD242-# 1UD243-# 1UD244-#	1 6 6 6 6	
225, 226, 229.	904-602-245-01 904-602-245-02 904-602-245-03	1UD21197-R 1UD21433-G 1UD21433-B	6 6 6	
<p>THE 1UD21 FTD PEN SERIES FIT ON THE EXISTING PEN ARMS WITH A MINIMUM AMOUNT OF RE-ADJUSTMENT.</p>				
241, 242, 243.	904-602-237-01 904-602-237-02 904-602-237-03 904-602-237-04	1UD221-B 1UD221-R 1UD222-R 1UD222-G	6 6 6 6	
<p>PLEASE CALL FOR CONVERTING DETAILS.</p>				



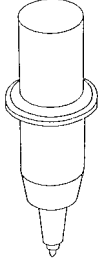
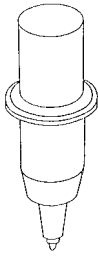
Model	OEM Part	Our Equivalent	Pk	ROCKWELL
EMCORECTER T, TEMCORECTOR T.				

REFER TO UNIVERSAL SECTION IN
FRONT OF CATALOGUE FOR GAS
MEASUREMENT PENS.



Model	OEM Part	Our Equivalent	Pk	ROHDE & SCHWARZ
PLOTTER DOP 375, 1213, D2, DOP2.	DOP-Z4-375.1413.00	1CY10P5-R	5	
	DOP-Z4-375.1420.00	1CY10P5-B	5	
	DOP-Z4-375.1436.00	1CY10P5-N	5	
	DOP-Z4-375.1442.00	1CY10P5-G	5	
	DOP-Z4-375.1459.00	1CY10P5-M	5	
	DOP-Z4-375.1465.00	1CY10P5-Y	5	
	DOP-Z4-375.1471.00	1CY10P5-V	5	
	DOP-Z4-375.1488.00	1CY10P5-A	5	
	DOP-Z4-375.1507.00	1CY10P5-C	5	
	DOP-Z4-375.1513.00	1CY10P5-O	5	
<p>WE ALSO OFFER A P3, P7 AND A RB TIP OPTION OF THE CY10 FTD PEN SERIES. THE AVAILABLE COLOURS ARE AS LISTED ABOVE.</p>				



Model	OEM Part	Our Equivalent	Pk	ROLAND
DXY-880A, DXY-980A DXY-885, DXY-990, DPX-2200, DPX-3300.	XD-4SPA-WNG	1CY20P3-N	5	
	XD-4SPB-WNG	1CY20P3MIX01 (1x RBGN)	4	
	XD-4SPC-WNG	1CY20P3MIX22 (1x MOAV)	4	
<div style="border: 1px solid black; padding: 5px; width: fit-content; margin: 0 auto;"> <p>AS WELL AS SUPPLYING THE BLACK CY20P3 PEN WE OFFER OTHER COLOURS, A,B,C,G,M,O,R,V OR Y.</p> </div>				
GRX-300, GRX-400, DXY-1100, DXY-1200 DXY-1300.	XD-4SPA-WWG	1CY20P7-N	5	
	XD-4SPB-WWG	1CY20P7MIX01 (1x RBGN)	4	
	XD-4SPC-WWG	1CY20P7MIX22 (1x MOAV)	6	
	XD-4SPA-BP	1CY20RB-N	5	
	XD-4SPB-BP	1CY20RBMIX01 (1x RBGN)	4	
<div style="border: 1px solid black; padding: 5px; width: fit-content; margin: 0 auto;"> <p>AS WELL AS SUPPLYING THE BLACK CY20P7/RB PENS WE OFFER OTHER COLOURS AND A P5 TIP OPTION. THE ALTERNATIVE COLOURS WE OFFER ARE EITHER A,B,C,M,O,R,V OR Y.</p> </div>				




CROWN GRAPHIC

MARKING SYSTEMS CATALOGUE

JANUARY 2008

PAGE S01.01

Model	OEM Part	Our Equivalent	Pk	SAITRON
801, 803 DENSTO-METERS.		1CY1-B01 1CY1-G01 1CY1-R01	3 3 3	

GRAPHIC CONTROLS LTD, ST PETERS QUAY, TOTNES, DEVON, TQ9 5XH, UK

TEL : +44 (0)1803 860100 FAX : +44 (0)1803 863838 EMAIL : sales@crowng.com WEB : http://www.crowng.com

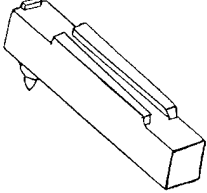


CROWN GRAPHIC

MARKING SYSTEMS CATALOGUE

JANUARY 2008

PAGE S02.01

Model	OEM Part	Our Equivalent	Pk	SALMOIRAGHI
THERMO-HYGROGRAPH.		1SD7-B 1SD7-G 1SD7-N 1SD7-R 1SD7-V	3 3 3 3 3	

GRAPHIC CONTROLS LTD, ST PETERS QUAY, TOTNES, DEVON, TQ9 5XH, UK

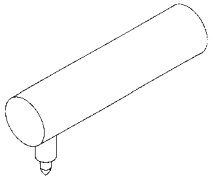
TEL : +44 (0)1803 860100 FAX : +44 (0)1803 863838 EMAIL : sales@crowng.com WEB : http://www.crowng.com




Model	OEM Part	Our Equivalent	Pk	SARTORIUS
		1FD21-#	10	

AVAILABLE COLOURS ARE EITHER
A,B,C,G,M,N,O,R,V OR Y.



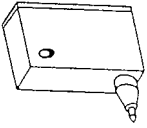
Model	OEM Part	Our Equivalent	Pk	SAUTER
		1PB7-B10 1PB7-G10 1PB7-N10 1PB7-R10 1PB7-V10	6 6 6 6 6	



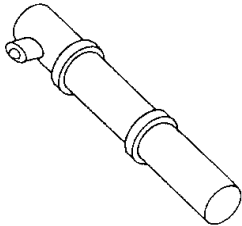
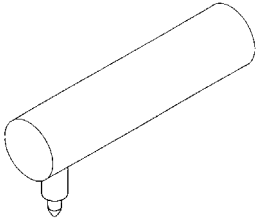
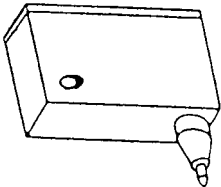
Model	OEM Part	Our Equivalent	Pk	SCAN
100, SE225.		1CY1-#01	3	

AVAILABLE COLOURS ARE EITHER
A,B,C,G,M,N,O,R,V OR Y.



Model	OEM Part	Our Equivalent	Pk	SCHAFFER & B.
		1SD5-B 1SD5-G 1SD5-N 1SD5-R 1SD5-V	6 6 6 6 6	



Model	OEM Part	Our Equivalent	Pk	SCHLEGEL
		1PB4-B01 1PB4-G01 1PB4-N01 1PB4-R01 1PB417.5MM-B 1PB417.5MM-G 1PB417.5MM-N 1PB417.5MM-R	6 6 6 6 6 6 6 6	
		1PB7-B01 1PB7-N01 1PB7-R01 1PB7-B11 1PB7-N11 1PB7-R11	6 6 6 6 6 6	
		1SD5-B 1SD5-G 1SD5-N 1SD5-R 1SD5-V	6 6 6 6 6	

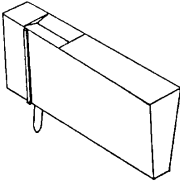


CROWN GRAPHIC

MARKING SYSTEMS CATALOGUE

JANUARY 2008

PAGE S08.01

Model	OEM Part	Our Equivalent	Pk	SCHOTT GERATE
TS165 TITRATION RECORDER.		1FD21-R	10	

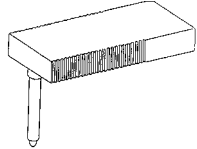


CROWN GRAPHIC

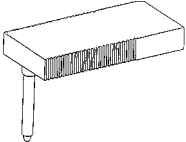
MARKING SYSTEMS CATALOGUE

JANUARY 2008

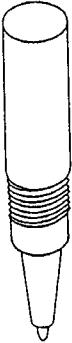
PAGE S09.01

Model	OEM Part	Our Equivalent	Pk	SCIENTIFIC ATLANTA
STRIP CHART RECORDERS.	A164718 A164719 A164720 A164721	1FD29C20-R 1FD29C20-B 1FD29C20-G 1FD29C20-N	5 5 5 5	
	17270-BK3 17270-RD3 17270-BL3 17270-GN3	1CY14-N 1CY14-R 1CY14-B 1CY14-G	5 5 5 5	

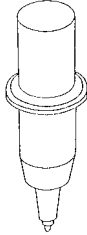
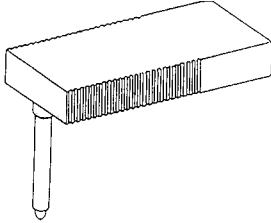


Model	OEM Part	Our Equivalent	Pk	SCINTAG
SW3121, SW3122, SW3123.		1FD29C09-# 1FD29C27-# 1FD29C40-#	5 5 5	
<p>THE AVAILABLE COLOURS FOR THE FD29 FTD PEN SERIES ARE EITHER B,G,N OR V. OTHER COLOURS ARE AVAILABLE ON REQUEST.</p>				

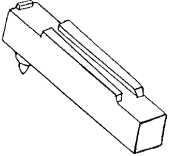
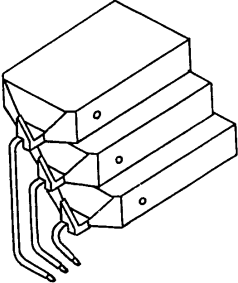
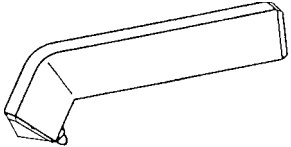
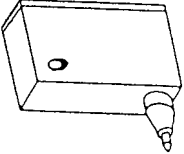
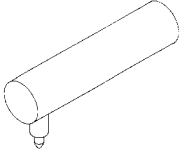
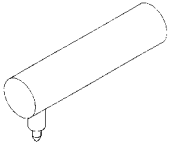


Model	OEM Part	Our Equivalent	Pk	SEFRAM
TGM, TGV, TRP, SR, SRD (SINGLE CH.), PE, P2R.	EX445/1 8835.00019 9081.17090 EX445/2 8835.00020 9081.18090 EX445/3 8835.00021 9081.19090 EX445/4 8835.00022 9081.20090 EX445/5 8835.00023 9081.21090 EX445/6 8835.00024 9081.22090	1CY103P3-R 1CY103P3-B 1CY103P3-G 1CY103P3-N 1CY103P3-V 1CY103P3-M	3 3 3 3 3 3	
	EI943/1-A76N	9A010	1	
		2R360-B 2R360-G 2R360-N 2R360-R 2R360-V	4 4 4 4 4	



Model	OEM Part	Our Equivalent	Pk	SEKONIC
SPL 430, SPL 450, SPL 600, SPL 800, SPL 1000.		1CY20P3-# 1CY20P5-# 1CY20P7-# 1CY20RB-#	5 5 5 5	
SS100P 1P		1FD29C08-#	5	
SS100P 2P		1FD29C08-# 1FD29C34-#	5 5	
<p>THE STD COLOURS FOR THE FD29 FTD PEN SERIES ARE EITHER B,G,N,R. OTHER COLOURS ARE AVAILABLE ON REQUEST.</p>				



Model	OEM Part	Our Equivalent	Pk	SENSYCON
04/12, 05/18, 05/19.	224 042	1SD7-R	3	
03/16-11, -12, -13, 03/17-11, -12, -13, 03/19-11, -12, -13, 03/19-31, -32, -33, 03/21-11, -12, -13, 03/21-22, -23.	067 442	1MT471-B	1	
	067 443	1MT472-R	1	
	067 444	1MT473-G	1	
	071 649	1MT474-V	1	
03/06, 03/07, 03/08, 03/09, 03/10, 03/11, 03/14.	224 070 051 030 051 023	1FD50-N 1FD50-R 1FD50-B	6 6 6	
05/01, 04/01, 05/... 12/07, 18/01.	224 006 224 034	1SD5-R 1SD5-B	6 6	
03/12, 03/13.	049 059	1PB716.1MM-R	6	
5/2, 5/3, 5/4, 04/02, 04/03, 04/04, 04/05, 05/02, 05/03, 05/04, 05/06.		1PB719.5MM-B	6	

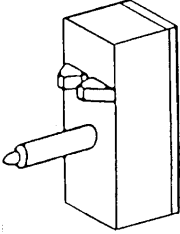


CROWN GRAPHIC

MARKING SYSTEMS CATALOGUE

JANUARY 2008

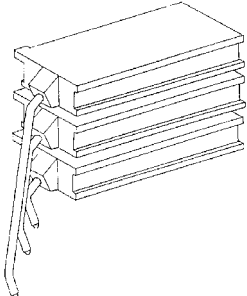

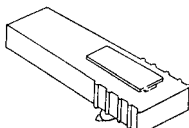
PAGE S13.02

Model	OEM Part	Our Equivalent	Pk	SENSYCON
	224 074	1SD32-B01	6	

GRAPHIC CONTROLS LTD, ST PETERS QUAY, TOTNES, DEVON, TQ9 5XH, UK

TEL : +44 (0)1803 860100 FAX : +44 (0)1803 863838 EMAIL : sales@crowng.com WEB : <http://www.crowng.com>



Model	OEM Part	Our Equivalent	Pk	SEREG
EUROPONT X2100, X2200, X2300, X4100, X4200, X4300, X5100, X5200, X5300.	231.1354-30	1MT291-R	1	
	231.1358-10	1MT292-B	1	
	231.1366-29	1MT293-G	1	
TGM, TGV, TRP, SR, SRD (SINGLE CH.), PE, P2R.	EX445/1 8835.00019 9081.17090	1CY103P3-R	3	
	EX445/2 8835.00020 9081.18090	1CY103P3-B	3	
	EX445/3 8835.00021 9081.19090	1CY103P3-G	3	
	EX445/4 8835.00022 9081.20090	1CY103P3-N	3	
	EX445/5 8835.00023 9081.21090	1CY103P3-V	3	
	EX445/6 8835.00024 9081.22090	1CY103P3-M	3	
ECX 1001, ECX 1002.	B22 57 729 B23 12 767	1FD22-R	1	
	B23 12 768	1FD22-B	1	



CROWN GRAPHIC

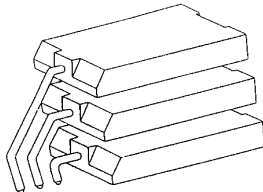
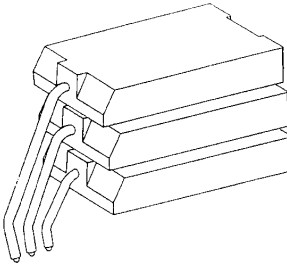
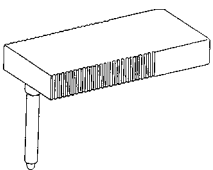

MARKING SYSTEMS CATALOGUE

JANUARY 2008

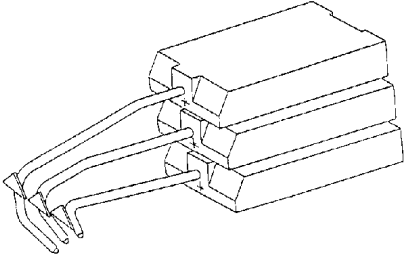
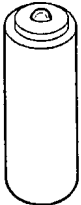

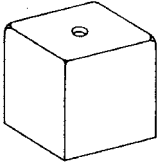
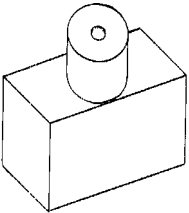
PAGE S14.02

Model	OEM Part	Our Equivalent	Pk	SEREG
APC CEREG RPND		1UD201-B 1UD202-R 1UD203-G	6 6 6	
CEREG RPND		1UD201-B 1UD202-R 1UD203-G 1UD204-V	6 6 6 6	
VISITEST 144 X 72		1MT301-B03 1MT302-G03 1MT303-R03	5 5 5	
VISITEST 144 X 144		1MT304-B03 1MT305-G03 1MT306-R03	5 5 5	
ERP1, R4.	B22 57 291	1CY7-V	6	



Model	OEM Part	Our Equivalent	Pk	SEREG
MODUMAT 100	14.044.591	1MT311-R	1	
	14.044.601	1MT312-G	1	
	14.044.611	1MT313-B	1	
MODUMAT 100 (NEW PEN SERIES).	14.044.592	1MT531-R	1	
	14.044.602	1MT532-G	1	
	14.044.612	1MT533-B	1	
STRIP CHART RECORDERS.	406-657 SU-205-7	1FD29C03-B	5	 
	406-659 SU-205-6	1FD29C03-R	5	
	406-660 SU-205-4	1FD29C32-B	5	
	406-658 406-661 SU-205-3 SU-205-5	1FD29C32-R	5	
	SU-406-92 SU-406-93	1CY51-#	4	
WE OFFER THE CY51 FTD PEN SERIES IN EITHER B,G,N OR R.				



Model	OEM Part	Our Equivalent	Pk	SEREG
APC 70000, APC 71000.		1MT321-G 1MT322-R 1MT323-B	1 1 1	
CAPILLARY SYSTEMS.	97430025 97430026 97430019 97430024 70107201 70111301 91427205 91427206 91427207 91427208	2N500-R 2N500-B 4K227048D 12 TIPS + TOOL 7RB PRIMING BULB 9SE01 9SE02 9SE03 9SE04 9SE05 9SE06	4 4 1 1 1 1 1 1 1 1	 
72 X 144 MODUMAT	97430031 97430032 97430033	2S201-R 2S201-G 2S201-B	4 4 4	
144 X 144 MODUMAT	23990619 97430046 97430047 97430048	2S401-V 2S401-R 2S401-G 2S401-B	4 4 4 4	

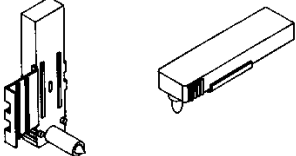


CROWN GRAPHIC


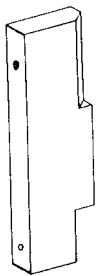
MARKING SYSTEMS CATALOGUE

JANUARY 2008

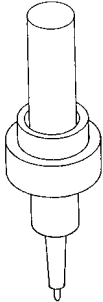
PAGE S15.01

Model	OEM Part	Our Equivalent	Pk	SERVIS
SERIES 1000 TEMP. RECORDER.		1UD151-R	6	

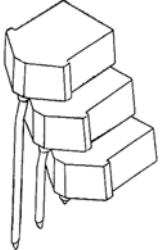
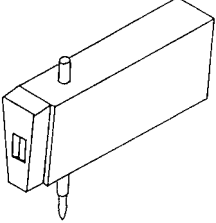

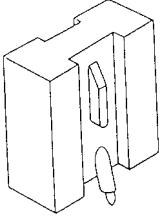


Model	OEM Part	Our Equivalent	Pk	SHIMADZU
SPECTROPHOTO-METRIC RECORDER		1CY1-B01 1CY1-G01 1CY1-N01 1CY1-R01	3 3 3 3	
	<p>THE 1CY15 STYLE PEN WITH A STOP RING COLLAR MAY BE REQUIRED FOR SOME RECORDERS. CHECK CURRENT PEN BEFORE ORDERING.</p>		1CY15-B 1CY15-G 1CY15-N 1CY15-R	
	609-60121 609-60122 609-60123 609-65011	2R102-R 2R102-G 2R102-B 2R102-M	3 3 3 3	

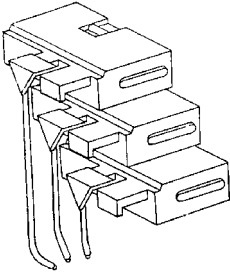
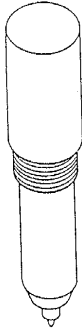


Model	OEM Part	Our Equivalent	Pk	SIEMENS	
PLOTTERS C 1601 & C 1604, C 1020, C 1613.	7KC 1901-8 FJ	1CY10P3-N	5		
	7KC 1901-8 FK	1CY10P3-R	5		
	7KC 1901-8 FL	1CY10P3-B	5		
	7KC 1901-8 FM	1CY10P3-G	5		
	7KC 1901-8 FR	1CY10P3-M	5		
	7KC 1901-8 FP	1CY10P3-V	5		
	7KC 1901-8 FS	1CY10P3-O	5		
	7KC 1901-8 FQ	1CY10P3-Y	5		
	7KC 1901-8 FN	1CY10P3-C	5		
	7KC 1901-8 FT	1CY10P3-A	5		
	7KC 1901-8 GV	1CY10P3MIX06 (2x N, 1x RBG)	5		
	WE ALSO OFFER A P3, P7 AND A RB TIP OPTION IN THE SAME COLOURS AS LISTED ABOVE.				
	TRANSDATE PLOTTER 9009, 9009-30, 9009-40.	U26-H50	1CY20P3-N		5
U26-H51		1CY20P3-R	5		
U26-H52		1CY20P3-B	5		
U26-H53		1CY20P3-G	5		
U26-H54		1CY20P3-Y	5		
U26-H58		1CY20P3-C	5		
U26-H55		1CY20P3MIX10 (1x RBGNY)	5		
U26-H56		1CY20P3MIX11 (1x NBGVC)	5		
U26-H60		1CY20P7-N	5		
U26-H61		1CY20P7-R	5		
U26-H62		1CY20P7-B	5		
U26-H63		1CY20P7-G	5		
U26-H64		1CY20P7-Y	5		
U26-H68		1CY20P7-C	5		
U26-H65		1CY20P7MIX10 (1x RBGNY)	5		
U26-H66		1CY20P7MIX11 (1x NBGVC)	5		
WE ALSO OFFER A P5 AND A RB TIP TYPE OPTION. THE FULL RANGE OF COLOURS FOR THE RANGE IS A,B,C,G,M,N,O,R,V,Y.					

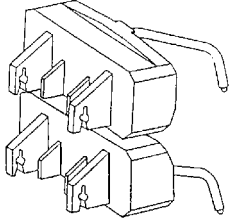
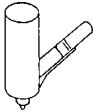
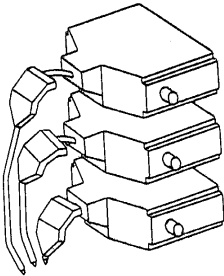


Model	OEM Part	Our Equivalent	Pk	SIEMENS
KOMPENSO- GRAPH X-T, KOMPENSO- GRAPH X-Y, C 1011-8 AA/AB, C 1012-8 AA/AB, C 1924-8 AA/AB, C 1021, C 1022, C 1031-33, C 1924-8, SIREC 3120.	7KC1904-8AB 7KC1904-8AG 7KC1904-8AC 7KC1904-8AH 7KC1904-8AJ	1MT081-R 1MT081-B 1MT082-B 1MT082-R 1MT083-G	1 1 1 1 1	
SIREC 3200 HYBRID RECORDER C1740.	7KC1911-8AL 7KC1911-8AM 7KC1911-8AN 7KC1911-8AP 7KC1911-8AQ 7KC1911-8AR 7KC1911-8AS 7KC1911-8AT	1FD36-N 1FD36-B 1FD36-R 1FD36-G 1FD36-V 1FD36-C 1FD36-M 1FD36-L	3 3 3 3 3 3 3 3	
7ND1330 (MO2188), 7ND1340 (MO2192), 7ND1350 (MO2190), 7ND1360 (MO2194).	7ND9001-8DF 7ND9001-8DA 7ND9001-8DB 7ND9001-8DD 7ND9001-8DE 7ND9001-8DC	1CY7-N 1CY7-R 1CY7-B 1CY7-G 1CY7-M 1CY7-V	6 6 6 6 6 6	
M73949, 7ND 1110, KOMPENSO- GRAPH V TELEPERM (OLD).	M73949-X-A1 M73949-X-A2	1SD21-V 1SD21-R	6 6	

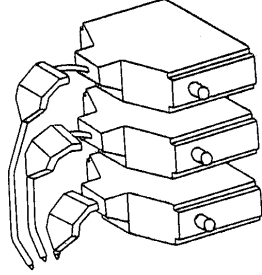
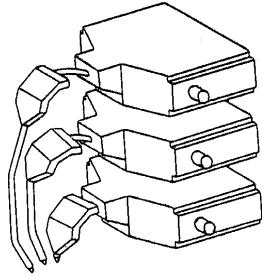
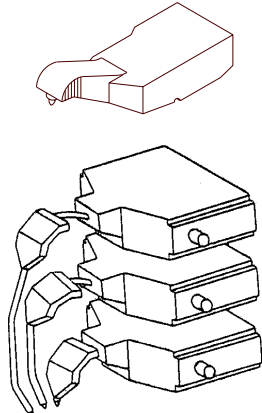


Model	OEM Part	Our Equivalent	Pk	SIEMENS
TELEPERM & TELEPNEU 30 KOMPENSOGRAPH M 73130, M 73138, M 73303, M 73304, 7ND 2100, 7ND 2101, 7ND 2121, 7ND 2123.	7ND 9001 8BL	1MT391-B	1	
	7ND 9001 8BK	1MT391-R	1	
	7ND 9001 8BM	1MT391-G	1	
	7ND 9001 8BP	1MT392-R	1	
	7ND 9001 8BN	1MT392-B	1	
	7ND 9001 8BQ	1MT392-G	1	
	7ND 9001 8BR	1MT393-G	1	
	7ND 9001 8BS	1MT393-R	1	
	7ND 9001 8BT	1MT393-B	1	
	KOMPENSOGRAPH E, M 73914-C...	C72453-A329-B121	1MT331-R	
C72453-A329-B122		1MT332-B	1	
C72453-A329-B123		1MT333-G	1	
XY KOMPENSO- GRAPH M 73923, M 73924.	C72453-A248-B106 C72453-A248-B111	1CY12-B	6	
	C72453-A248-B107 C72453-A248-B112	1CY12-R	6	
	C72453-A248-B108 C72453-A248-B113	1CY12-G	6	
	C72453-A248-BX	1CY12-N	6	
	C72453-A248-B109	1CY12MIX01 (3x BR)	6	

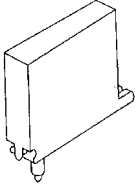




Model	OEM Part	Our Equivalent	Pk	SIEMENS
KOMPENSOGRAPH XT M 73921.	C72452-Z1046-C3 C72452-Z1046-C4 C72452-Z1046-C5 C72452-Z1046-C6	1MT352-R 1MT352-B 1MT351-R 1MT351-B	1 1 1 1	
GALVANOGRAPH T22, T25 FORM 21K T20, T24, T26, T27 FORM 12K, T3, T4, T21 FORM 12L NUMO, T7, T28, T35 FORMS 288x240 & 288x288, T9, T23, T29, FORMS 192x240 & 192x288 (AND OTHER MODELS).	C70429.A58.A9 C70429.A58.A10 <div style="border: 1px solid black; padding: 5px; text-align: center;">AVAILABLE IN EITHER N,R,B,G,M OR V.</div>	1CY11-#	6	
KOMPENSOGRAPH 7ND 2122, 7ND 2124, 7ND 2125. 100mm RECORDING WIDTH PER CH.	7ND 9001 8AA 7ND 9001 8AB 7ND 9001 8AD 7ND 9001 8AE 7ND 9001 8AG	1MT461-R 1MT461-B 1MT462-B 1MT462-R 1MT463-G	1 1 1 1 1	
KOMPENSOGRAPH 7ND 2130, 7ND 2131, 7ND 2132, 7ND 2133, 7ND 2140, 7ND 2141, 7ND 2142, 7ND 2143. 50mm RECORDING WIDTH PER CH.	7ND 9001 8AA 7ND 9001 8AK	1MT461-R 1MT464-R	1 1	

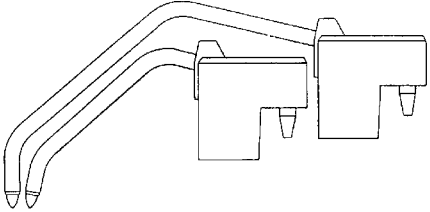




Model	OEM Part	Our Equivalent	Pk	SIEMENS
KOMPENSOGRAF 7ND 2130, 7ND 2131, 7ND 2132, 7ND 2133, 7ND 2140, 7ND 2141, 7ND 2142, 7ND 2143. 120mm RECORDING WIDTH PER CH.	7ND 9001 8AA	1MT461-R	1	
	7ND 9001 8AB	1MT461-B	1	
	7ND 9001 8AD	1MT462-B	1	
	7ND 9001 8AE	1MT462-R	1	
	7ND 9001 8AG	1MT463-G	1	
KOMPENSOGRAF 7ND 2130, 7ND 2131, 7ND 2132, 7ND 2133, 7ND 2140, 7ND 2141, 7ND 2142, 7ND 2143. 60mm RECORDING WIDTH PER CH.	7ND 9001 8AA	1MT461-R	1	
	7ND 9001 8AK	1MT464-R	1	
KOMPENSOGRAF 7ND 2150, 7ND 2151, 7ND 2152, 7ND 2153, 7ND 2160, 7ND 2161, 7ND 2162, 7ND 2163. 210mm RECORDING WIDTH PER CH.	7ND 9001 8AA	1MT461-R	1	
	7ND 9001 8AB	1MT461-B	1	
	7ND 9001 8AD	1MT462-B	1	
	7ND 9001 8AE	1MT462-R	1	
	7ND 9001 8AG	1MT463-G	1	
SIREC 7ND 3125	7ND 9001 8DH	1FD07-N	1	
	7ND 9001 8AB	1MT461-B	1	
	7ND 9001 8AE	1MT462-R	1	
	7ND 9001 8AG	1MT463-G	1	

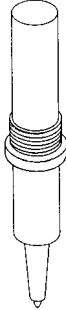
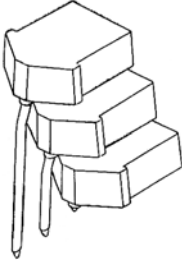


Model	OEM Part	Our Equivalent	Pk	SMITHS INDUSTRIES
SERVOSCRIBE S, 15, 541, 511.	ZB470	9GR01	1	
IF A FTD PEN IS REQUIRED FOR THE ABOVE RECORDERS THEN USE THE PENS LISTED BELOW.				
	ZB335/R ZB335/B	1FD20-R 1FD20-B	2 2	
		1FD20-N 1FD20-G	2 2	
SERVOSCRIBE 520	ZB216/R ZB216/G	2SN375-R 2SN375-G	4 4	
SERVOSCRIBE 2S, 570.				 2ZB01
STEEL TIP PENS.	ZB473 ZB474	9GR02 9GR03	1 1	
FIBRE TIP PENS.	ZB473/FT ZB474/FT	9GR02FT 9GR03FT	1 1	
INK CARTRIDGE	ZB477/R ZB477/B ZB477/G	2ZB01-R 2ZB01-B 2ZB01-G	1 1 1	
WRITING TIPS	REM5549	4K227048DX4	1	

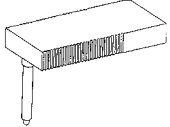
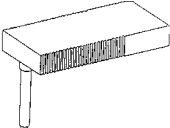
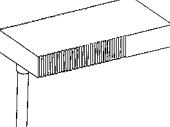
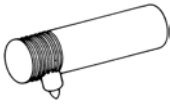
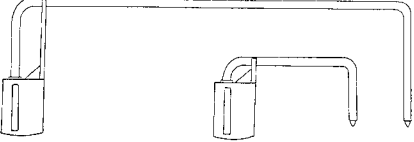


Model	OEM Part	Our Equivalent	Pk	SMITHS INDUSTRIES
<p>FTD CONVERSIONS FOR THE OLDER 2 CHANNEL RECORDERS "2S", (RE520.20 POTENTIOMETRIC RECORDER), RE560 & RE570, WE LIST THESE BELOW AGAINST THE METAL PEN REFS. A CONVERSION CLIP (9K21) IS REQUIRED TO ADAPT EACH CHANNEL. SERVOSCRIBE 520 CANNOT BE ADAPTED.</p>				
	ZB472 LOWER CH.	1MT211-R	2	
	ZB474 UPPER CH.	1MT212-B	2	
	LD571A CONV CLIP	9K21	1	
SERVOSCRIBE 15, 541, 511.	AT4325/R AT4325/B	1CY6-R 1CY6-B	5 5	
SERVOSCRIBE M, MINIGOR 510.	ZB505.74 ZB505.75	1CY4-R 1CY4-B	5 5	

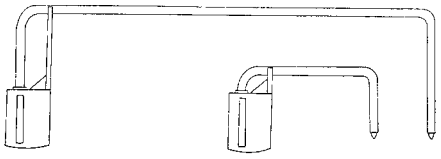
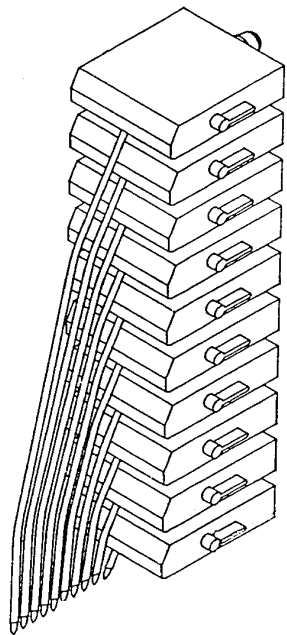


Model	OEM Part	Our Equivalent	Pk	SMITHS INDUSTRIES
PLOTTERS 731, 732, 733, 743.	ZB553.00 ZB553.74 ZB553.75 ZB553.76	1CY15-R 1CY15-B 1CY15-N 1CY15-G	5 5 5 5	
SERVOSCRIBE 200	ZB536.74 ZB536.75	1MT081-R 1MT082-B	1 1	
SERVOSCRIBE 300, SE 300.	ZB536.74 ZB536.75 ZB536.76	1MT081-R 1MT082-B 1MT083-G	1 1 1	

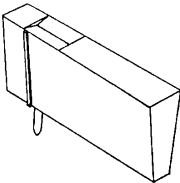
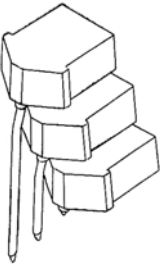
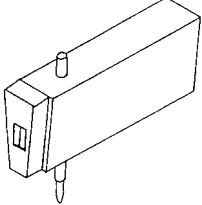
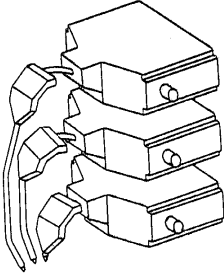


Model	OEM Part	Our Equivalent	Pk	SOLTEC
4201, 6723, 4202.	PF-0701	1FD29C05-R	5	
	PF-0702	1FD29C26-N	5	
1241, 1242.	PF-1201	1FD29C05-R	5	
	PF-1206	1FD29C32-G	5	
	PF-0101	1FD29C09-R	5	
	PF-0102	1FD29C09-N	5	
	PF-0103	1FD29C31-B	5	
	PF-0104	1FD29C31-G	5	
	PF-0001	1PB3-R03	5	
	PF-0002	1PB3-N03	5	
	PF-0003	1PB3-B03	5	
	PF-0006	1PB3-G03	5	
DB SERIES, KA SERIES, KB SERIES.	PF-0301	1MT01A1-R	1	
	PF-0302	1MT01A2-N	1	
	PF-0303	1MT01A3-B	1	
	PF-0304	1MT01A4-M	1	
	PF-0305	1MT01A5-V	1	
	PF-0306	1MT01A6-G	1	

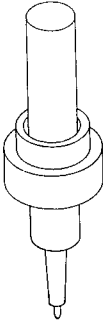
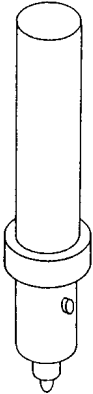


Model	OEM Part	Our Equivalent	Pk	SOLTEC
B16-36, B106, 606, B161-361, B181-381, B1061-6061.	PF-0901 PF-0401	1MT01B1-R	1	
	PF-0902 PF-0402	1MT01B2-N	1	
	PF-0903 PF-0403	1MT01B3-B	1	
	PF-0904 PF-0905 PF-0906	1MT01B4-M 1MT01B5-V 1MT01B6-G	1 1 1	
<p>NOTE THAT THE MT01 FTD SERIES CANNOT BE USED CONCURRENTLY WITH SOLTEC ORIGINALS, ALL CHANNELS MUST BE CHANGED OVER.</p>				
R-01, 02, 03, R-52, -54, -56, -302, -304, -306.	PF-2001	1MT711-R	1	
	PF-2002	1MT712-N	1	
	PF-2003	1MT713-B	1	
	PF-2004	1MT714-M	1	
	PF-2005	1MT715-V	1	
	PF-2006	1MT716-G	1	
R-5X, R-308.	PF-2007	1MT717-A	1	
	PF-2008	1MT718-C	1	
	PF-2009	1MT719-Y	1	
	PF-2010	1MT710-L	1	



Model	OEM Part	Our Equivalent	Pk	SOLTEC
3310 SERIES	PF-0501 PF-0502 PF-0503 PF-0504 PF-0505 PF-0506 PF-0507 PF-0508 PF-0509 PF-0510	1FD21-R 1FD21-N 1FD21-B 1FD21-M 1FD21-V 1FD21-G 1FD21-O 1FD21-C 1FD21-A 1FD21-L	10 10 10 10 10 10 10 10 10 10	
1200 & 1300 SERIES	PF-0601 PF-0602 PF-0603	1MT081-R 1MT082-N 1MT083-B	1 1 1	
500 & 520 SERIES	PF-3801 PF-3802 PF-3803 PF-3804 PF-3805 PF-3806 PF-3808 PF-3810	1FD36-R 1FD36-N 1FD36-B 1FD36-M 1FD36-V 1FD36-G 1FD36-C 1FD36-L	3 3 3 3 3 3 3 3	
7ND 212x	PF-1501 PF-1503 PF-1506	1MT461-R 1MT462-B 1MT463-G	1 1 1	



Model	OEM Part	Our Equivalent	Pk	SOLTEC	
281 DIGITAL PLOTTER.	PF-1121	1CY10P3-R	5		
	PF-1122	1CY10P3-N	5		
	PF-1123	1CY10P3-B	5		
	PF-1124	1CY10P3-M	5		
	PF-1126	1CY10P3-G	5		
	PF-1127	1CY10P3-A	5		
	PF-1128	1CY10P3-C	5		
	PF-1129	1CY10P3-Y	5		
			1CY10P3-O		5
			1CY10P3-V		5
		PF-1101	1CY10P5-R		5
		PF-1102	1CY10P5-N		5
		PF-1103	1CY10P5-B		5
		PF-1104	1CY10P5-M		5
		PF-1106	1CY10P5-G		5
		PF-1107	1CY10P5-A		5
		PF-1108	1CY10P5-C		5
		PF-1109	1CY10P5-Y		5
			1CY10P5-O		5
			1CY10P5-V		5
<p>WE ALSO OFFER A P7 AND RB TIP OPTION. THE COLOURS AVAILABLE ARE THE SAME AS ABOVE.</p>					
RW-21T, RW-201T. SHORT BODY.	PF-3001	1CY13-R	5		
	PF-3002	1CY13-N	5		
LONG BODY.	PF-3001	1CY14-R	5		
	PF-3002	1CY14-N	5		



Model	OEM Part	Our Equivalent	Pk	SOLTEC
PRIMELINE	PF-3305	1MT231-V	2	
	PF-3301	1MT232-R	2	

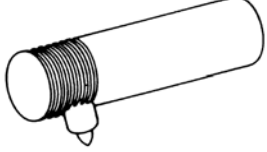


CROWN GRAPHIC

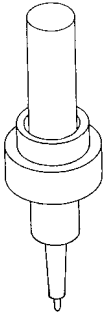
MARKING SYSTEMS CATALOGUE

JANUARY 2008


PAGE S20.01

Model	OEM Part	Our Equivalent	Pk	SPARLING ENVIROTECH
CIRCULAR CHART RECORDERS 275, 227, 229.	26657-000-300-00	1PB3-R04	5	

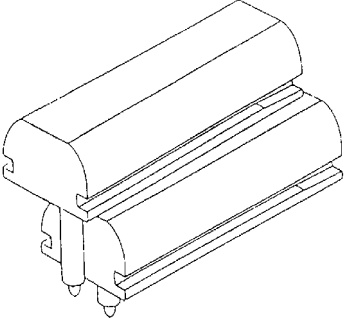
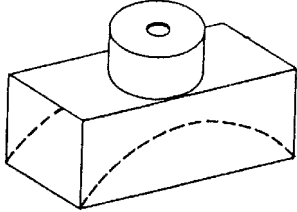


Model	OEM Part	Our Equivalent	Pk	TANDY
MULTI PEN RECORDER 26-1191 TRS-80.	26-1460 26-1461 26-1462 26-1463 26-1464 26-1465 26-1466	1CY10RB-R 1CY10RB-B 1CY10RB-G 1CY10RB-V 1CY10RB-M 1CY10RB-O 1CY10RB-N	5 5 5 5 5 5 5	
<p>WE CAN ALSO SUPPLY A P3, P5 OR P7 TIP OPTION IN THE SAME COLOURS AS LISTED ABOVE.</p>				



Model	OEM Part	Our Equivalent	Pk	T.D.S. NUMONICS
7191, SERIES 5600, TYPE 5460, 5860.		1CY28P3-# 1CY28P5-# 1CY28P7-# 1CY28RB-#	5 5 5 5	
<p>WE OFFER THE 1CY28 FTD PEN SERIES IN A VARIETY OF COLOURS, EITHER A,B,C,G,M,N,O,R,V OR Y.</p>				



Model	OEM Part	Our Equivalent	Pk	TECHNICON
SYSTEMS WITH THE BRISTOL RECORDERS. 1 CH RECORDERS	011-0114-P03 011-0414-03 383780-03-9 383780-01-7	1SD3101-R	6	
	011-0114-P01 011-0414-01	1SD3101-G	6	
	383780-01-2	1SD3101-B	6	
2 CH RECORDERS	011-0114-P02 011-0414-02 383780-02-0	1SD3002-R	6	
	383780-02-05	1SD3002-B	6	
	011-0114-P03 011-0414-03 383780-03-9 383780-01-7	1SD3101-R	6	
	011-0114-P01 011-0414-01	1SD3101-G	6	
	383780-01-2	1SD3101-B	6	
SYSTEMS WITH HONEYWELL RECORDERS.	787271-1 787271-2	2S501-G 2S501-R	4 4	



CROWN GRAPHIC

MARKING SYSTEMS CATALOGUE

JANUARY 2008


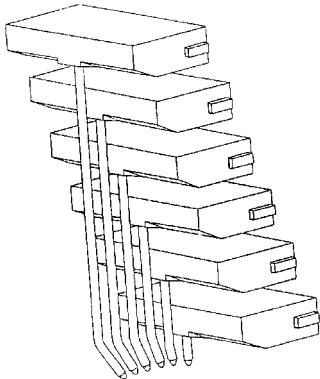

PAGE T03.02

Model	OEM Part	Our Equivalent	Pk	TECHNICON
SYSTEMS WITH GOERZ RECORDERS.	890-0093-01	1MT081-G (SHORT)	1	
	011-9349-02			
	011-9349-01	1MT081-R	1	
	011-9350-01	1MT082-B	1	
	890-0094-01	1MT082-R (LONG)	1	
	011-9350-02			

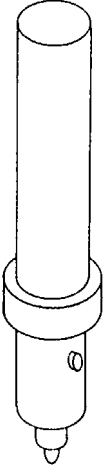
GRAPHIC CONTROLS LTD, ST PETERS QUAY, TOTNES, DEVON, TQ9 5XH, UK

TEL : +44 (0)1803 860100 FAX : +44 (0)1803 863838 EMAIL : sales@crowng.com WEB : http://www.crowng.com



Model	OEM Part	Our Equivalent	Pk	TEKMAN
TE200 SERIES		4N38X4	4	
		2N375-B 2N375-G 2N375-N 2N375-R 2N375-V	4 4 4 4 4	
121		1MT232-R	2	
122, 500, 600 & 1000 SERIES.		1MT231-V 1MT232-R 1MT233-N 1MT234-G 1MT235-B 1MT236-M	2 2 2 2 2 2	
		<div style="border: 1px solid black; padding: 5px; width: fit-content;"> <p>122 SERIES 3 & 4 CHANNEL VERSIONS USE 1MT234 AS 3rd PEN AND 1MT235 AS 5th PEN.</p> </div>		
400 SERIES X-Y		1CY4-#	5	
		<div style="border: 1px solid black; padding: 5px; width: fit-content;"> <p>WE CAN OFFER THE CY4 FTD SERIES IN A VARIETY OF COLOURS, EITHER B,G,M,N,R OR V.</p> </div>		



Model	OEM Part	Our Equivalent	Pk	TEKTRONIX	
4662 PLOTTER (ORIGINAL)	016-0589-00 016-0648-02	1CY14P3-R	5		
	016-0589-01 016-0648-05	1CY14P3-G	5		
	016-0589-02 016-0648-00	1CY14P3-N	5		
	016-0589-03 016-0648-06	1CY14P3-B	5		
	016-0648-01 016-0648-03 016-0648-04 016-0648-07 016-0648-08	1CY14P3-M 1CY14P3-O 1CY14P3-Y 1CY14P3-V 1CY14P3-A	5 5 5 5 5		
	AS WELL AS OFFERING THE P3 TIP WE HAVE A P5, P7 OR RB TIP OPTION IN THE SAME COLOURS AS LISTED ABOVE.				
	4662 (OPTION 31), 4663 & 4663S PLOTTERS.	016-0414-00	1CY26P5-N		5
		016-0414-01	1CY26P5-M		5
		016-0414-02	1CY26P5-R		5
		016-0414-03	1CY26P5-O		5
016-0414-04		1CY26P5-Y	5		
016-0414-05		1CY26P5-G	5		
016-0414-06		1CY26P5-B	5		
016-0414-07		1CY26P5-V	5		
016-0414-08		1CY26P5-A	5		
016-0725-00		1CY26FL-N	5		
016-0725-01		1CY26FL-M	5		
016-0725-02		1CY26FL-R	5		
016-0725-03		1CY26FL-O	5		
016-0725-04		1CY26FL-Y	5		
016-0725-05		1CY26FL-G	5		
016-0725-06		1CY26FL-B	5		
016-0725-07		1CY26FL-V	5		
016-0725-08		1CY26FL-A	5		
WE ALSO OFFER THE CY26 FTD RANGE IN A P3, P7 OR RB TIP TYPE.					

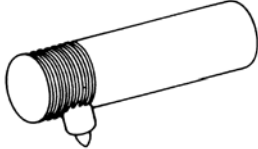


CROWN GRAPHIC

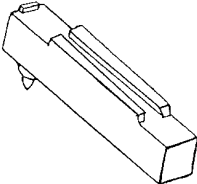
MARKING SYSTEMS CATALOGUE

JANUARY 2008

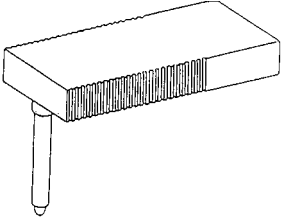
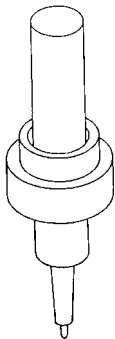
PAGE T06.01

Model	OEM Part	Our Equivalent	Pk	TELEDYNE
STRIP CHART RECORDERS.	25-1-128 25-1-129	1PB3-R01 1PB3-G01	5 5	

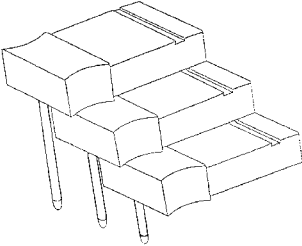
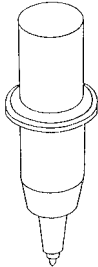


Model	OEM Part	Our Equivalent	Pk	TEMPKEY
TT202, TT210.		1SD7-B 1SD7-G 1SD7-N 1SD7-R 1SD7-V	3 3 3 3 3	



Model	OEM Part	Our Equivalent	Pk	TEXAS INSTRUMENTS		
STRIP CHART RECORDERS.	212149-0010	1FD29C03-R	5			
	212149-0011	1FD29C03-G	5			
	212149-0012	1FD29C03-B	5			
	212149-0013	1FD29C03-N	5			
	212149-0007	1FD29C09-B	5			
	212149-0014	1FD29C09-N	5			
	212149-0001	1FD29C18-R	5			
	212149-0002	1FD29C18-G	5			
	212149-0003	1FD29C18-B	5			
	212149-0004	1FD29C18-N	5			
	212149-0006	1FD29C31-G	5			
	212149-0015	1FD29C31-N	5			
	212149-0005	1FD29C43-R	5			
	212149-0016	1FD29C43-N	5			
		2550719-0301 2550720-0301	1CY10P3-N		5	
		2550719-0302 2550720-0302	1CY10P3-B		5	
	2550719-0303 2550720-0303	1CY10P3-G	5			
	2550719-0304 2550720-0304	1CY10P3-R	5			
	2550719-0701 2550720-0701	1CY10P7-N	5			
	2550719-0702 2550720-0702	1CY10P7-B	5			
	2550719-0703 2550720-0703	1CY10P7-G	5			
	2550719-0704 2550720-0704	1CY10P7-R	5			



Model	OEM Part	Our Equivalent	Pk	TEXAS INSTRUMENTS
SERIES 1500, TYPE 1510, 1520, 1530.	4Z8A1593G001	1MT851-R	5	
	4Z8A1593G002	1MT852-G	5	
	4Z8A1593G003	1MT853-B	5	
	2550717-0301 2550718-0301	1CY20P3-N	5	
	2550717-0302 2550718-0302	1CY20P3-B	5	
	2550717-0303 2550718-0303	1CY20P3-G	5	
	2550717-0304 2550718-0304	1CY20P3-R	5	
	2550717-0305 2550718-0305	1CY20P3MIX10 (1x NRBGY)	5	
	2550717-0306 2550718-0306	1CY20P3MIX11 (1x NBGVC)	5	
	2550717-0701 2550718-0701	1CY20P7-N	5	
	2550717-0702 2550718-0702	1CY20P7-B	5	
	2550717-0703 2550718-0703	1CY20P7-G	5	
	2550717-0704 2550718-0704	1CY20P7-R	5	
	2550717-0705 2550718-0705	1CY20P7MIX10 (1x NRBGY)	5	
	2550717-0706 2550718-0706	1CY20P7MIX11 (1x NBGVC)	5	



CROWN GRAPHIC

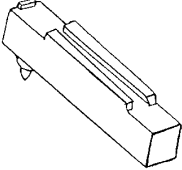
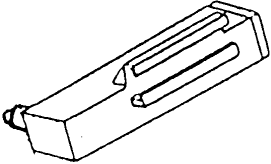
MARKING SYSTEMS CATALOGUE

JANUARY 2008

PAGE T09.01

Model	OEM Part	Our Equivalent	Pk	THERM
THERM 6211		1MT231-V 1MT232-R 1MT234-G 1MT235-B	2 2 2 2	
THERM 6210 & 6210-2B		1MT232-R	2	



Model	OEM Part	Our Equivalent	Pk	THIES
BAROGRAPH, THERMOGRAPH, HYGROGRAPH.	625.20.92	1SD7-B 1SD7-G 1SD7-N 1SD7-R 1SD7-V	3 3 3 3 3	
BAROGRAPH, THERMOGRAPH, HYGROGRAPH, 1.0620... 1.0630... 1.0670... 1.0680... 1.0850... 3.0830...	4010-125	1SD8-B 1SD8-R 1SD8-V	6 6 6	

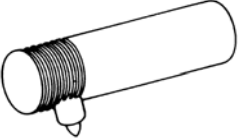


CROWN GRAPHIC

MARKING SYSTEMS CATALOGUE

JANUARY 2008

PAGE T11.01

Model	OEM Part	Our Equivalent	Pk	TINIUS OLSEN
FLAT BED RECORDERS	S-470B	1PB3-N01	5	

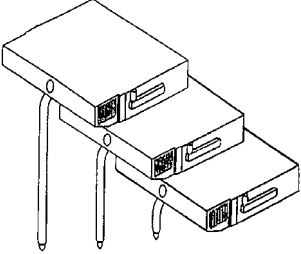


CROWN GRAPHIC

MARKING SYSTEMS CATALOGUE

JANUARY 2008

PAGE T12.01

Model	OEM Part	Our Equivalent	Pk	TOA
EPR-151A, EPR-152A EPR-111A, EPR-121A EPR-131A.	PR-1RD	1MT871-R	1	
	PR-2GN	1MT872-G	1	
	PR-3BE	1MT873-B	1	

GRAPHIC CONTROLS LTD, ST PETERS QUAY, TOTNES, DEVON, TQ9 5XH, UK

TEL : +44 (0)1803 860100 FAX : +44 (0)1803 863838 EMAIL : sales@crowng.com WEB : <http://www.crowng.com>

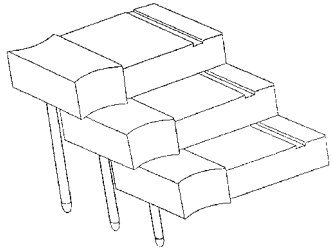


CROWN GRAPHIC

MARKING SYSTEMS CATALOGUE

JANUARY 2008

PAGE T13.01

Model	OEM Part	Our Equivalent	Pk	TOSHIBA
AR201A SERIES, AR201B SERIES.	4Z8A1593G001	1MT851-R	5	
	4Z8A1593G002	1MT852-G	5	
AR201C SERIES.	4Z8A1593G001	1MT851-R	5	
	4Z8A1593G002	1MT852-G	5	
	4Z8A1593G002	1MT853-B	5	

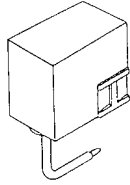


CROWN GRAPHIC


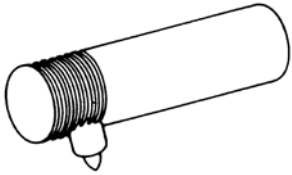
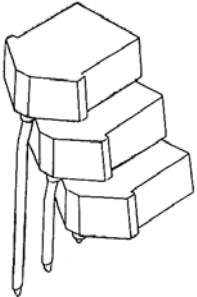
MARKING SYSTEMS CATALOGUE

JANUARY 2008

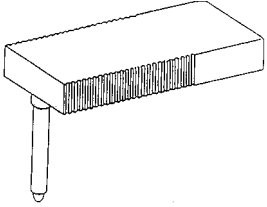
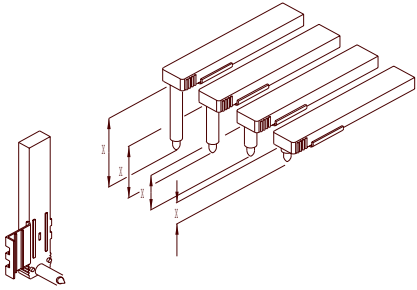
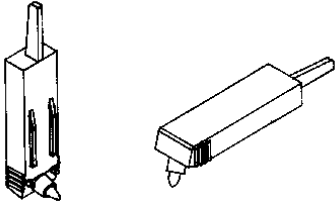
PAGE T14.01

Model	OEM Part	Our Equivalent	Pk	TRITSCHLER
TFSZ, TOSN, K818, Tfm, Tfm1.	315 Sch 110 315 Sch 109 315 Sch 111 315 Sch 112	1SD4T-R 1SD4T-B 1SD4T-G 1SD4T-N	1 1 1 1	

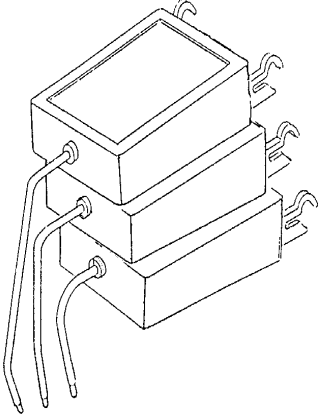


Model	OEM Part	Our Equivalent	Pk	ULTRAKUST
7590		1CY1-B01 1CY1-G01 1CY1-N01 1CY1-R01 1CY1-V01	3 3 3 3 3	
7591		1PB3-B03 1PB3-G03 1PB3-N03 1PB3-R03 1PB3-B06 1PB3-G06 1PB3-N06 1PB3-R06	6 6 6 6 6 6 6 6	
	495246 495247 495248	1MT081-R 1MT082-B 1MT083-G	1 1 1	



Model	OEM Part	Our Equivalent	Pk	UNITED ELECTRIC
<p>OLD STYLE 650 STRIP CHART RECORDERS.</p>	<p>D-6219-652 D-6219-677</p>	<p>1FD29C09-R</p>	<p>5</p>	
<p>UNITED ELECTRIC CONTROLS CIRCULAR CHART RECORDERS WHICH HAVE BEEN CONVERTED CAN USE OUR 1UD24 FTD PEN SERIES LISTED BELOW.</p>		<p>1UD241-# 1UD242-# 1UD243-# 1UD244-#</p>	<p>6 6 6 6</p>	
<p>COLOURS AVAILABLE ARE B,G,N,R OR V.</p>				
<p>MODEL 680.</p>	<p>62-149-36</p>	<p>1UD131-R</p>	<p>5</p>	



Model	OEM Part	Our Equivalent	Pk	VALMET
AIRLEC EX, AIREC 1, 2 & 3, ELREC M4, AIREC 144, ERLREC 144.	53 85 61	1MT651-G	1	
	53 85 62	1MT652-R	1	
	53 85 63	1MT653-B	1	
		1MT081-#	1	
		1MT082-#	1	
<p>COLOURS AVAILABLE ARE B,G,N,R. OTHER COLOURS AVAILABLE ON REQUEST.</p>				

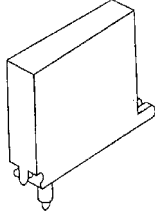
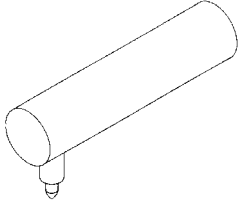


CROWN GRAPHIC


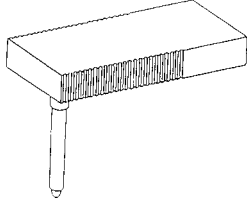
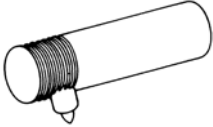
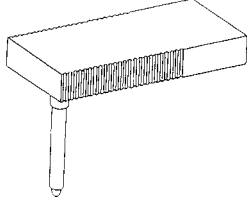
MARKING SYSTEMS CATALOGUE

JANUARY 2008


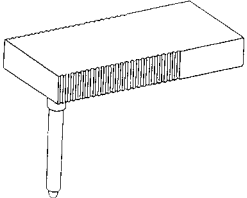
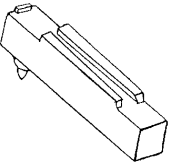
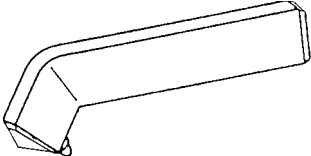
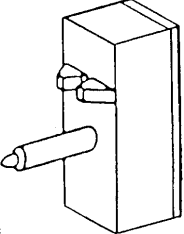
PAGE V02.01

Model	OEM Part	Our Equivalent	Pk	VAN ESSEN
		1FD20-B 1FD20-G 1FD20-N 1FD20-R	2 2 2 2	
		1PB715.5MM-B 1PB715.5MM-G 1PB715.5MM-N 1PB715.5MM-R	6 6 6 6	

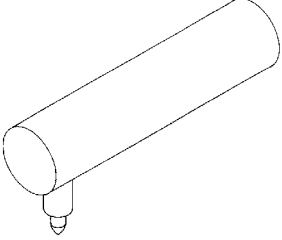
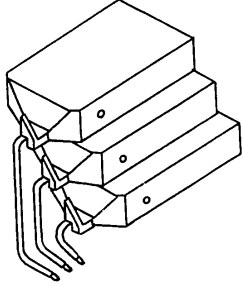
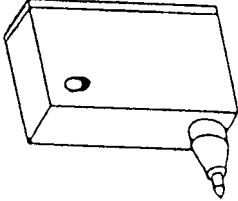


Model	OEM Part	Our Equivalent	Pk	VARIAN
E4, EM 360, EM 390, EM-300X, HR 300, NV-14, M66, SC-300, SC-360, T-60A.		1CY1-#01	3	
COLOURS AVAILABLE ARE EITHER A,B,C,G,M,N,O,R,V OR Y.				
VARIAN/CARY 14.	10-260001-06 01-490575-01	1FD29R09-R	5	
	10-260001-07 01-490575-02	1FD29R09-G	5	
	10-260001-08 01-490575-03	1FD29R09-N	5	
A-4 (OLD VERSION), A-5, A-6	71-000220-00 71-000211-00 71-000212-00	1PB3-R06 1PB3-B06 1PB3-N06	6 6 6	
A-4 (NEW VERSION)	71-000216-00	1FD29C31-R	5	

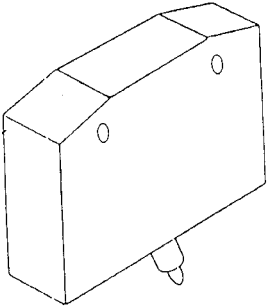
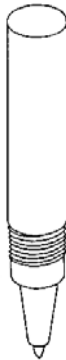


Model	OEM Part	Our Equivalent	Pk	VDO
03/02, 03/04, 03/05, 03/15.		2N300-R 2N300-B 2N300-G	4 4 4	
		4K227048DX4	1	
03/15 FTD VERSION	067495	1FD29C09-R	5	
04/18, 05/18, 05/19	224042	1SD7-R	3	
03/06, 03/07, 03/08, 03/09, 03/10, 03/11, 03/14 RECORDER / MONITERS.	224070 051030 051023	1FD50-N 1FD50-R 1FD50-B	6 6 6	
	224074	1SD32-B01	6	


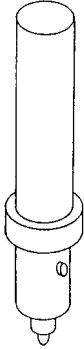



Model	OEM Part	Our Equivalent	Pk	VDO
	049059	1PB7-B01 1PB7-G01 1PB7-N01 1PB7-R01	6 6 6 6	
5/2, 5/3, 5/4, 04/02, 04/03, 04/04, 04/05, 05/02, 05/03, 05/04, 05/06.		1PB719.5MM-B 1PB719.5MM-G 1PB719.5MM-N 1PB719.5MM-R	6 6 6 6	
03/16-11, 03/17-11, 03/12-11.	067442	1MT471-B	1	
03/16-12, 03/17-12, 03/21-12.	067442	1MT471-B	1	
	067443	1MT472-R	1	
03/16-13, 03/17-13, 03/21-13.	067442	1MT471-B	1	
	067443	1MT472-R	1	
	067444	1MT473-G	1	
	071649	1MT474-V		
5/1, 04/01, 05/01, 12/07, 18/01.	224006 224034	1SD5-R 1SD5-B	6 6	



Model	OEM Part	Our Equivalent	Pk	VITARON
2001	47112-2158 3061-019	1SD20-N	6	
	47112-3046 7205.035 3061-017	1SD20-R	6	
	47112-3162 3061-016	1SD20-B	6	
	47112-3027 3061-018 7205.036	1SD20-G	6	
VITALAB 1001		1CY51-B 1CY51-G 1CY51-N 1CY51-R	4 4 4 4	
UR100		1CY1-#01	3	
COLOURS AVAILABLE ARE EITHER A,B,C,G,M,N,O,R,V OR Y.				



Model	OEM Part	Our Equivalent	Pk	WANG
2232 FLATBED PLOTTERS A & B.	725-0466-0 725-0466-2 725-0466-6	1CY51-N 1CY51-R 1CY51-B	4 4 4	
2212 FLATBED PLOTTER	725-0454-G 725-0455-G 725-0456-G 725-0457-G	1CY14P3-R 1CY14P3-B 1CY14P3-G 1CY14P3-N	5 5 5 5	
2272 DRUM PLOTTER	725-0473-0 725-0473-2 725-0473-5 725-0473-6	1CY1P3-N01 1CY1P3-R01 1CY1P3-G01 1CY1P3-B01	3 3 3 3	
<div style="border: 1px solid black; padding: 5px; width: fit-content; margin: 0 auto;"> <p>WE CAN ALSO SUPPLY A P5, P7 OR RB TIP OPTION. IN THE SAME COLOURS AS LISTED ABOVE.</p> </div>				

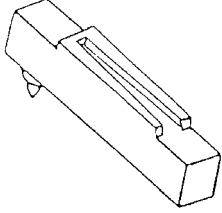
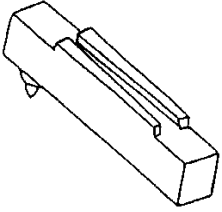


CROWN GRAPHIC

MARKING SYSTEMS CATALOGUE

JANUARY 2008

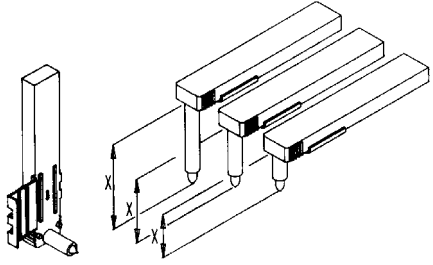
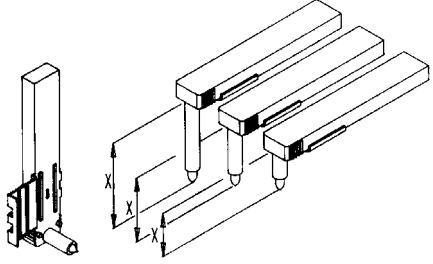
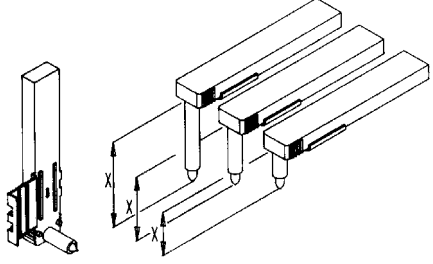
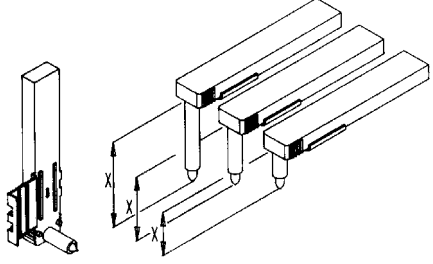
PAGE W02.01

Model	OEM Part	Our Equivalent	Pk	WEATHERMEASURE
	1070 1071 1072	1SD11-R 1SD11-B 1SD11-N	6 6 6	
		1SD13-R 1SD13-V	5 5	

GRAPHIC CONTROLS LTD, ST PETERS QUAY, TOTNES, DEVON, TQ9 5XH, UK

TEL : +44 (0)1803 860100 FAX : +44 (0)1803 863838 EMAIL : sales@crowng.com WEB : <http://www.crowng.com>



Model	OEM Part	Our Equivalent	Pk	WEKSLER
	ORIGINAL METAL CAPILLARY PENS.	9M272451 9M272452 9M272453	1 1 1	
<div style="border: 1px solid black; padding: 5px; width: fit-content; margin: 0 auto;"> <p>WHEN ORDERING PLEASE SPECIFY WETHER A STEEL OR SAPPHIRE TIP IS WANTED.</p> </div>				
CONVERTED 6" RECORDER. 1 OR 2 PEN.	M25-36 * M25-37 M13-766 * M13-767	1UD242-R ** 1UD243-B 9KUD19712	6 6 1	
<div style="border: 1px solid black; padding: 5px; width: fit-content; margin: 0 auto;"> <p>** USE PEN 1UD243-B FOR 6" CHART SIZE SINGLE PEN RECORDERS MADE PRIOR TO JAN 1 1987 (SERIAL # R86-4083 OR EARLIER).</p> </div>				
CONVERTED 8" RECORDER. 1 OR 2 PEN.	M25-36 * M25-37 M13-765 * M13-768	1UD242-R 1UD243-B	6 6	
3 PEN.	M25-36 * M25-37 M25-38 M13-765 * M13-768 M13-769	1UD242-R 1UD243-B 1UD244-G	6 6 6	



Model	OEM Part	Our Equivalent	Pk	WEKSLER
CONVERTED 10" RECORDERS. 1 OR 2 PEN. 3 OR 4 PEN.	M25-36 *	1UD242-R	6	
	M25-37	1UD243-B	6	
	M13-770 *			
	M13-771	9KUD19432	1	
	M25-36 *	1UD242-R	6	
	M25-37	1UD243-B	6	
	M25-38	1UD244-G	6	
	M25-39			
	M13-770 *			
	M13-771	9KUD19432	1	
M13-772	9KUD19442	1		
M13-773	9KUD19462	1		
CONVERTED 12" RECORDERS. 1 OR 2 PEN. 3 OR 4 PEN.	M25-36 *	1UD242-R	6	
	M25-37	1UD243-B	6	
	M13-774 *			
	M13-775			
	M25-36 *	1UD242-R	6	
	M25-37	1UD243-B	6	
	M25-38	1UD244-R	6	
	M25-39			
	M13-774 *			
	M13-775			
M13-776				
M13-777				
<div style="border: 1px solid black; padding: 5px; display: inline-block;"> * INDICATES TIME LINE PEN. </div>				

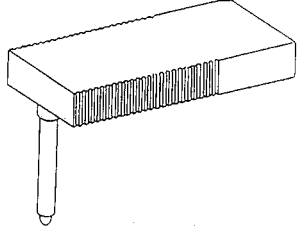


CROWN GRAPHIC

MARKING SYSTEMS CATALOGUE

JANUARY 2008

PAGE W04.01

Model	OEM Part	Our Equivalent	Pk	WELL REC
STRIP CHART RECORDERS.	14503	1FD29C03-B	5	
	12029	1FD29C18-N	5	
	14504	1FD29C20-R	5	
	14505	1FD29C32-N	5	

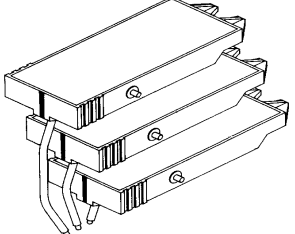
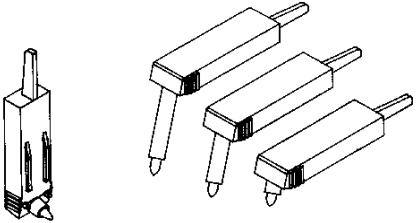
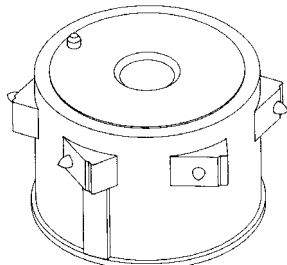


CROWN GRAPHIC


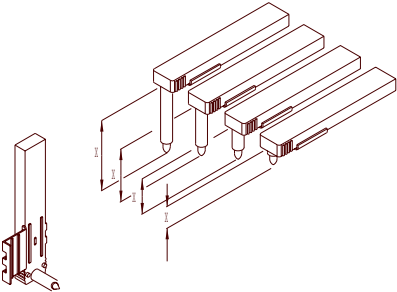
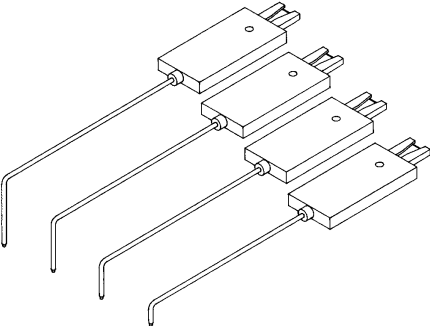
MARKING SYSTEMS CATALOGUE

JANUARY 2008

PAGE W05.01

Model	OEM Part	Our Equivalent	Pk	WEST
100C	46187001-001	1MX151-B	1	
	46187001-002	1MX152-R	1	
	46187001-003	1MX153-G	1	
7000		1UD131-#	5	
		1UD132-#	5	
		1UD133-#	5	
100D		6PW14	1	



Model	OEM Part	Our Equivalent	Pk	WESTINGHOUSE
RING BALANCE METERS 12" CIRCULAR & OPTIMAC 4" STRIP CHART RECS.	170085-1 170085-2 170085-3 170085-4	2N300-R 2N300-B 2N300-G 2N300-V	4 4 4 4	
<p>WE OFFER TWO CONVERSIONS OF THE ORIGINAL CAPILLARY SYSTEM TO EITHER OUR 1UD24 FTD PEN SERIES OR OUR 1MX04 FTD PEN SERIES.</p>				
RING BALANCE METERS 2000, 3000, 4000, 5000, 6000 (12") (CALGON ONLY)	170082-1 170082-2 170082-3 170082-4 189272	9KUD1933 9KUD1932 9KUD1931 9KUD1931 9KUD1934 1UD241-# 1UD242-# 1UD243-# 1UD244-#	1 1 1 1 1 6 6 6 6	
<p>WE CAN SUPPLY THE 1UD24 SERIES IN A VARIETY OF COLOURS, EITHER B,G,N,R OR V.</p>				
12" RING BALANCE METERS, 2000, 3000, 4000, 5000, 6000.		1MX04300-# 1MX04510-# 1MX04720-# 1MX04930-#	3 3 3 3	
<p>WE CAN SUPPLY THE 1MX04 PEN SERIES IN A VARIETY OF COLOURS, EITHER B,G,R OR V.</p>				



Model	OEM Part	Our Equivalent	Pk	WESTINGHOUSE
VERITRAK 55R 4" STRIP CHART RECORDERS.	01B46045 B01	9K511 (INNER) 1MT511-G	1 3	
	01B46044 B01	9K512 (MID) 1MT512-R	1 3	
	01B46046 B01	9K513 (OUTER) 1MT513-B	1 3	
<div style="border: 1px solid black; padding: 10px; width: fit-content; margin: 0 auto;"> <p>THE NEW MT514-6 SERIES (BELOW) WILL REPLACE THE ORIGINAL MT511-3 RANGE (ABOVE). THE MT511-3 RANGE IS STILL AVAILABLE TO THOSE WHO HAVE ALREADY CONVERTED.</p> </div>				
MODEL 55R & 56R	1A98120 H01 1B98118 B01 01B46045 B01	9K514 1MT514-G	1 3	
	1A98119 H01 1B98117 B01 01B46044 B01	9K515 1MT515-R	1 3	
	1A98121 H01 1B98116 B01 01B46046 B01	9K516 1MT516-B	1 3	



CROWN GRAPHIC

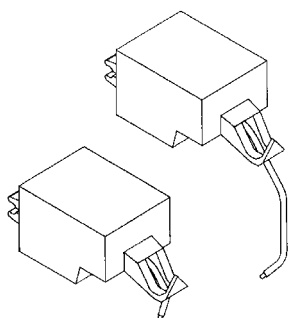
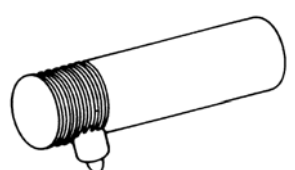
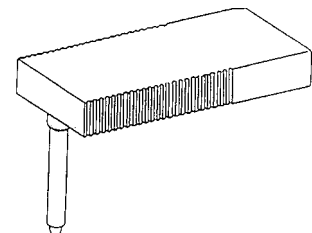
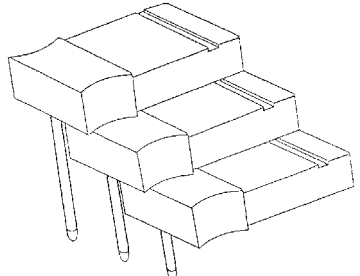
MARKING SYSTEMS CATALOGUE

JANUARY 2008

PAGE W06.03

Model	OEM Part	Our Equivalent	Pk	WESTINGHOUSE
	01-47615A01 01-47615A02 01-47615A03	3OZ1-R01 3OZ1-G01 3OZ1-B01	1 1 1	
TYPE 45	1477B55G04 1477B55G01	1UD24537-R	6	

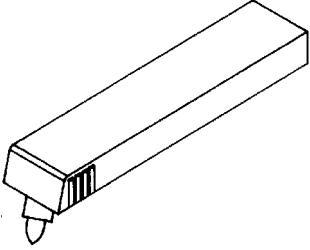


Model	OEM Part	Our Equivalent	Pk	WESTRONICS		
ES5200	EB76503-00	1MT991-R	1			
	EB76504-00	1MT992-B	1			
FB5E, FB11E	763-68-001 763-68-002	1PB3-N01 1PB3-R01	5 5			
S4E, D4E, T4E, S11E, D11E, S5E, STET.	RM-668-05-01	1FD29C03-R	5			
	RM-668-05-02	1FD29C03-B	5			
	RM-668-05-03	1FD29C03-G	5			
	RM-668-05-04	1FD29C03-N	5			
	RM-668-07-01	1FD29C19-B	5			
	RM-668-07-02	1FD29C19-R	5			
	RM-668-07-03	1FD29C19-N	5			
	RM-668-07-04	1FD29C19-G	5			
	RM-668-04-01	1FD29C22-R	5			
	RM-668-04-02	1FD29C22-B	5			
	RM-668-04-03	1FD29C22-G	5			
	RM-668-04-04	1FD29C22-N	5			
	RM-668-06-01	1FD29C32-R	5			
	RM-668-06-04	1FD29C32-B	5			
	1510, 1520, 1530.	RM100220-01	1MT851-R		5	
		RM100221-01	1MT852-G		5	
RM100222-01		1MT853-B	5			

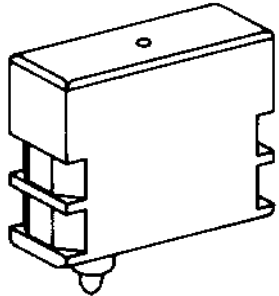
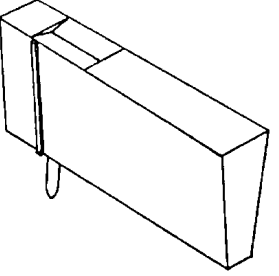


Model	OEM Part	Our Equivalent	Pk	WESTRONICS
1110, 1120, 1130 MINIATURE RECORDERS.	RM100-140-01	1MX141-R	3	
	RM100-141-01	1MX142-B	3	
	RM100-142-01	1MX143-G	3	
4000, 4200.	RM100-170-01	1MX011-R	2	
	RM100-171-01	1MX012-B	2	
	RM100-172-01	1MX013-G	2	
	RM100-173-01	1MX014-V	2	
1600	RM100-470	1MX221-R	3	
	RM100-471	1MX222-G	3	
	RM100-472	1MX223-B	3	
	RM100-473	1MX224-V	3	
1200	RM100-504	1MX231-R	3	
	RM100-505	1MX232-G	3	
	RM100-506	1MX233-B	3	

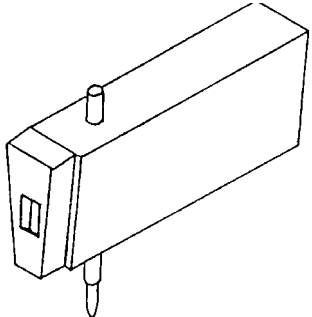




Model	OEM Part	Our Equivalent	Pk	WHITE BOX
CT485 SERIES, CT585 SERIES.	CT485-PR CT585-PR	1UD121-R	1	
	CT485-PB CT585-PB	1UD121-B	1	
	CT485-PS	1UD12MIX01 (1x RB)	2	
	CT585-PS:C4	1UD121MIX02 (1x RG)	2	
	CT585-PS-6:C4	1UD121MIX03 (6x RG)	12	



Model	OEM Part	Our Equivalent	Pk	W & W ELECTRONIK
600 SERIES (UPTO SERIAL No 531 3673)	11-0078 11-0081	1FD27-R	6	
	11-0080 11-0083	1FD27-N	6	
	11-0079 11-0082	1FD27-B	6	
		1FD27-M	6	
		1FD27-V	6	
		1FD27-G	6	
MCR330, MCR340, 306, 312, 314, 316, 318, 600, 900, 300, 310, 340, 500, 320, 342, 344, 346.	11-0102.1 15-0250/3 WW REC P5 RE-5	1FD21-R	10	
	11-0100.5 15-0253/3 WW REC P5 BL-5	1FD21-N	10	
	11-0101.3 15-0252/3 WW REC P5 BU-5	1FD21-B	10	
	11-0118.7	1FD21-M	10	
	11-0121.1 11-0119.5 15-0255/3 WW REC P5 VI-5	1FD21-V	10	
	11-0103.9 15-0251/3 WW REC P5 GR-5	1FD21-G	10	
	11-0120.3 15-0254/3 WW REC P5 OR-5	1FD21-O	10	
	11-0258 15-0354/3 WW REC P5 YG-5	1FD21-L	10	



Model	OEM Part	Our Equivalent	Pk	W & W ELECTRONIK
500, 500SP, 520, 540, PCR500, DCR520C, DCR540, DCR520F.	15.043.9 WW REC P5 BL-5	1FD36-N	3	
	15.045.6 WW REC P5 BU-5	1FD36-B	3	
	15.046.4 WW REC P5 RE-5	1FD36-R	3	
	15.047.2 WW REC P5 GR-5	1FD36-G	3	
	15.048.0 WW REC P5 VI-5	1FD36-V	3	
	15.049.8 WW REC P5 TR-5	1FD36-C	3	
	15.040.6 WW REC P5 BR-5	1FD36-M	3	
	15.041.4 WW REC P5 YG-5	1FD36-L	3	
SERIES 1100	11-0034 11-0059 11-0062	1CY6-R	5	
	11-0049 11-0060 11-0061	1CY6-B	5	
1001, 1011, 1100, 1102, 1107, 3212, 4301.	4604	1CY1-N01 1CY1-R01 1CY1-B01 1CY1-G01	3 3 3 3	

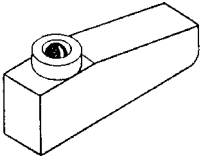
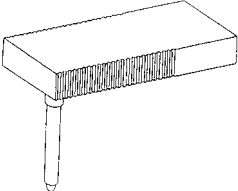
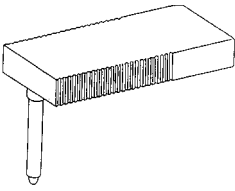


CROWN GRAPHIC

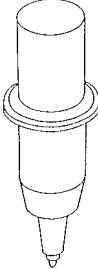
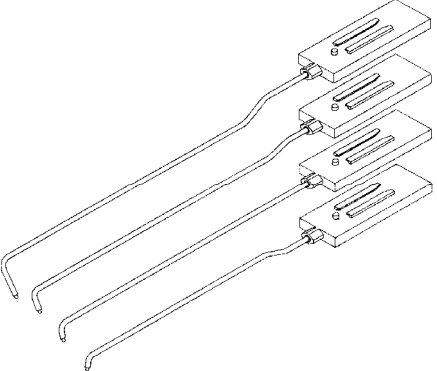

MARKING SYSTEMS CATALOGUE

JANUARY 2008

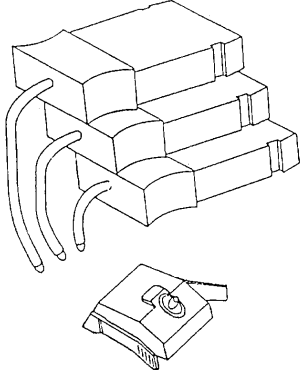
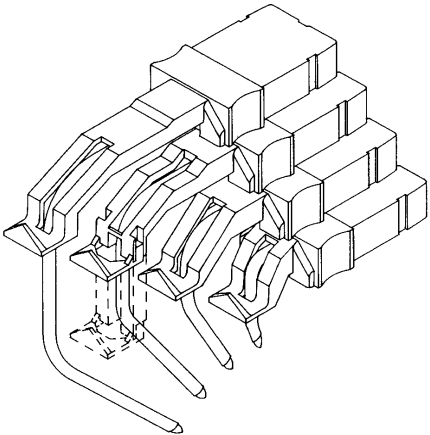
PAGE Y01.01

Model	OEM Part	Our Equivalent	Pk	YAMATAKE-HONEYWELL
	234521-001 234521-002 234521-003	2R402M-R 2R402M-B 2R402M-G	10 10 10	
CR102	T00887	1FD29R08-R	5	
	T00800	1FD29C34-B	5	

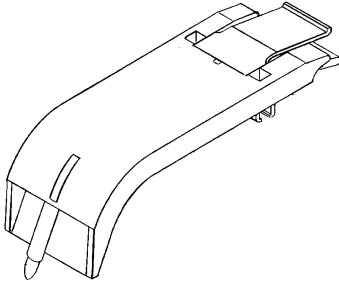


Model	OEM Part	Our Equivalent	Pk	YOKOGAWA
PL 2000		1CY20P3-N	5	
		1CY20P3-R	5	
1CY20P3-B	5			
1CY20P3-G	5			
1CY20P3-M	5			
1CY20P3-O	5			
1CY20P3-A	5			
1CY20P3-Y	5			
1CY20P3-C	5			
<p>WE ALSO OFFER THIS PEN IN A P5, P7 AND A RB TIP OPTION, IN THE SAME COLOURS AS LISTED ABOVE.</p>				
YOKOGAWA HOKUSKEM SERIES 4240 NREC.		1MT381-G	3	
		1MT382-R	3	
		1MT383-B	3	
		1MT384-V	3	
		9K38A	1	



Model	OEM Part	Our Equivalent	Pk	YOKOGAWA
<p>μR100 (1,2 & 3 PEN MODELS), μR180 HYBRID μR250.</p> <p>PLOTTER PEN ON ABOVE MODELS FOR DIGITAL DATA.</p>	B9565AP RD100-01	1MT441-R (LONG)	3	
	B9565AQ RD100-02	1MT442-G	3	
	B9565AR RD100-03	1MT443-B (SHORT)	3	
	B9565AS	1MT44P3-V	3	
<p>YOKOGAWA 100T, 180T.</p>	B9588KJ	1MT444-B	3	
	B9588KH	1MT445-G	3	
	B9588KG	1MT446-R	3	
<p>YOKOGAWA 100F.</p>	B9588KJ	1MT444-B	3	
	B9588KH	1MT445-G	3	
	B9588KG	1MT446-R	3	
	B9588AY	1MT447-A	3	



Model	OEM Part	Our Equivalent	Pk	YOKOGAWA	
LR4100, LR4200, LR8100.	B9586YA B9586ZA	1FD14-R	3		
	B9586YB B9586ZB	1FD14-G	3		
	B9586YC B9586ZC	1FD14-B	3		
	B9586YD B9586ZD	1FD14-M	3		
	B9586YE B9586ZE	1FD14-N	3		
	B9586YF B9586ZF	1FD14-A	3		
	B9586YG B9586ZG	1FD14-O	3		
	B9586YH B9586ZH	1FD14-V	3		
	B9586YK B9586ZK	1FD14MIX01 (1x RBGM)	4		
	B9586YL B9586ZL	1FD14MIX02 (1x RBGMNA)	6		
	B9586YM B9586ZM	1FD14MIX03 (RBGMVNOA)	8		
	SLOW SPEED PENS	B9586XA	1FD14SS-R		3
		B9586XB	1FD14SS-G		3
B9586XC		1FD14SS-B	3		
B9586XD		1FD14SS-M	3		
B9586XE		1FD14SS-N	3		
B9586XF		1FD14SS-A	3		
B9586XG		1FD14SS-O	3		
B9586XH		1FD14SS-V	3		



Model	OEM Part	Our Equivalent	Pk	YOKOGAWA
μ R1000, μ R1800, POWERMETER RTM, YOKOGAWA AC/DC RECORDER.	B9902AQ B9930BS	1MT981-A	3	
	B9902AP B9930BR	1MT982-B	3	
	B9902AN B9930BQ	1MT983-G	3	
	B9902AM B9930BP	1MT984-R	3	
	B9902AR	1MT98P3-V	3	
LR102		1MT081-R	1	
LR122		1MT081-R 1MT082-B	1 1	
μ R100, μ R1000, μ RS1000.	B9901AX B9566DZ	8RIBBON01	1	

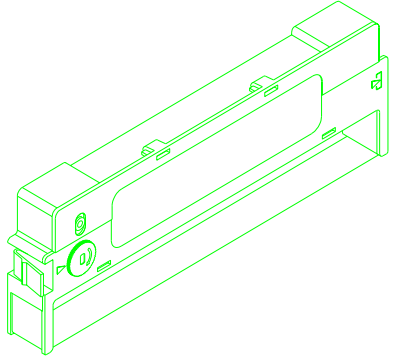


CROWN GRAPHIC

MARKING SYSTEMS CATALOGUE

JANUARY 2008

PAGE Y02.06

Model	OEM Part	Our Equivalent	Pk	YOKOGAWA
μ RS1800, μ R1800, μ R180.	B9906JA B9573RR	8RIBBON02	1	
4081, 3081, HR2500E.	B9541AT	8RIBBON03	1	
4089, DR130, DR230, DR231, DR232, DR240, DR241, DR242, HR1300, HR2300, HR2400	B9627AZ	8RIBBON04	1	


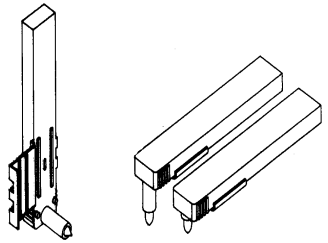


CROWN GRAPHIC

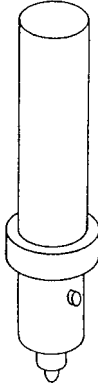
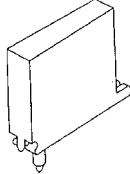


MARKING SYSTEMS CATALOGUE

JANUARY 2008

PAGE Z01.01

Model	OEM Part	Our Equivalent	Pk	ZEAL
CONVERSION ARM	12/22 12/23	9KUD1935	1	
CH 1 PEN		1UD241-R	6	
CH 2 PEN		1UD242-B	6	
		1UD242-G 1UD242-R	6 6	
		9Z4703001	1	



Model	OEM Part	Our Equivalent	Pk	ZEISS
SERVOGOR 210, 310	504708	1MT081-R	1	
KFD 5		1CY14-#	5	
		<div style="border: 1px solid black; padding: 5px; width: fit-content; margin: auto;"> COLOURS AVAILABLE ARE EITHER A,B,C,G,M,N,O,R,V OR Y. </div>		
	504790	1FD20-R	2	
DMC 25	507540 507541	1CY16-R 1CY16-B	5 5	
SPECTRALPHOTO-METER DMR10, DMR21, DMR22, IMR16, IMR25.	504792 504794 504795 504796 504797	1CY1-R01 1CY1-N01 1CY1-V01 1CY1-B01 1CY1-M01	3 3 3 3 3	

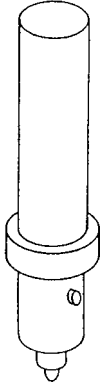


CROWN GRAPHIC

MARKING SYSTEMS CATALOGUE

JANUARY 2008

PAGE Z03.01

Model	OEM Part	Our Equivalent	Pk	ZWICK
	17-17	1CY14-B	5	
	301548 301549 301547	1CY1-N01 1CY1-R01 1CY1-B01	3 3 3	