




CROWN GRAPHIC

MARKING SYSTEMS CATALOGUE

JANUARY 2008

PAGE B01.01

Model	OEM Part	Our Equivalent	Pk	BABCOCK BRISTOL
	C23168C	9BR05	1	
	C23169C	9BR06	1	
	D47946C	9BR07	1	
	D51952C	7RB PRIMING BULB	1	
	D51953C	9ROL	1	
	D54232C	4B-2-230-46-R	1	
	D54233C	4B-2-230-46-B	1	

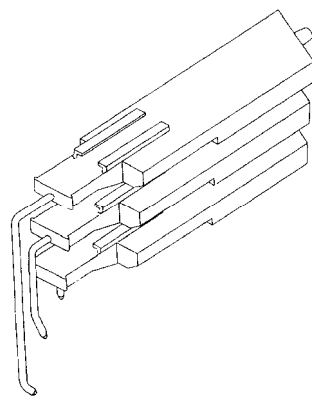
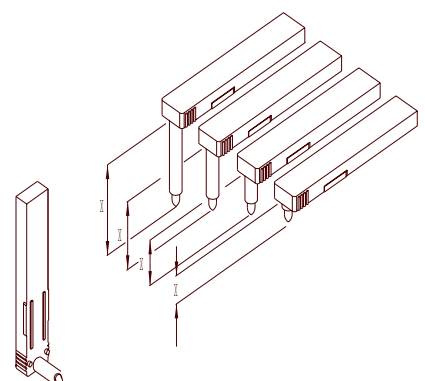
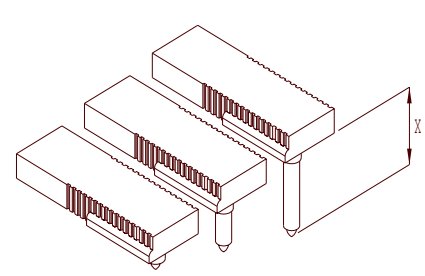
GRAPHIC CONTROLS LTD, ST PETERS QUAY, TOTNES, DEVON, TQ9 5XH, UK

TEL : +44 (0)1803 860100 FAX : +44 (0)1803 863838 EMAIL : sales@crowng.com WEB : http://www.crowng.com



Model	OEM Part	Our Equivalent	Pk	BAILEY
9020	U 9030 2042/B2 4-40-042/62	1MT261-G	1	
	U 9030 2040/B2 4-40-043/62	1MT262-R	1	
	U 9030 2041/B2 4-40-044/62	1MT263-B	1	
512.	2157K90P0001	1FD29C07-R	5	
520, 521, 530, 531, 731, 732, 733, 734.	2157K90P0001 2157K90P0002	1FD29C07-R 1FD29C24-N	5 5	
W85	3452291	1UD2012MM-R	6	
	3452190	1UD204MM-B	6	
K85	3452291	1UD2012MM-R	6	
	3452292	1UD205MM-B	6	
W35A.			6 6 6	
<div style="border: 1px solid black; padding: 5px;"> <p>A CONVERSION CLIP IS REQUIRED TO CONVERT RECORDER TO DISPOSABLE FTD. WE CAN NOT SUPPLY THE CLIP. AVAILABLE IN EITHER B,G,N,R</p> </div>				

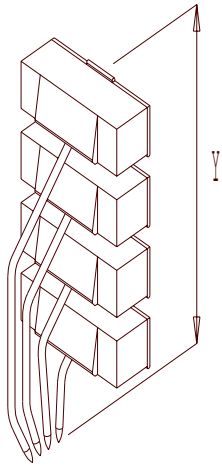


Model	OEM Part	Our Equivalent	Pk	BAILEY
KL, WR SIGNAFLEX	6625122-1 THE ABOVE PART No. REPLACED 6618476-1	1MT403-B 1MT402-R 1MT401-G	3 3 3	
W.C. RECORDERS	LA203291 LA203281 LA203292 LA203282 LA203293 LA203283 LA203294 LA203284	1UD231-B 1UD232-R 1UD233-G 1UD234-N	2 2 2 2	
771, 772, 773 SERIES 7000 (PRIOR TO 1984)	2157B01P0003 2157B01P0002 2157B01P0001		3 3 3	



Model	OEM Part	Our Equivalent	Pk	BAILEY
12" RECORDERS	1948561A4	1MX04300-R	3	
		1MX04300-B	3	
		1MX04300-G	3	
		1MX04300-V	3	
	1948561A3	1MX04510-R	3	
		1MX04510-B	3	
		1MX04510-G	3	
		1MX04510-V	3	
	1948561A2	1MX04720-R	3	
		1MX04720-B	3	
		1MX04720-G	3	
		1MX04720-V	3	
	1948561A1	1MX04930-R	3	
		1MX04930-B	3	
		1MX04930-G	3	
		1MX04930-V	3	
KM65, WE65EI	1006890	1MX021-R	3	
	1006891	1MX022-B	3	
	PEN ARM	9KUD1924	1	
	FTD PEN	1UD243-B	6	
<div style="border: 1px solid black; padding: 5px; width: fit-content;"> <p>THE ABOVE CONVERSION ARM AND PEN IS TO CONVERT A SINGLE CHANNEL BAILEY STEAM FLOW METER FROM THE ORIGINAL METAL CAPILLARY PEN AND SYPHONSAC</p> </div>				



Model	OEM Part	Our Equivalent	Pk	BAILEY
6250M	LA244371	1MX171-G	1	
	LA244372	1MX172-R	1	
	LA244373	1MX173-B	1	
	LA244374	1MX174-N	1	
	LA244770	1MT91A-V	1	



CROWN GRAPHIC

MARKING SYSTEMS CATALOGUE

JANUARY 2008

PAGE B03.01

Model	OEM Part	Our Equivalent	Pk	BARBER & COLMAN
SERIES K4M		1MT130-R	3	
		1MT132-G	3	
		1MT133-G	3	
		1MT134-V	3	

GRAPHIC CONTROLS LTD, ST PETERS QUAY, TOTNES, DEVON, TQ9 5XH, UK

TEL : +44 (0)1803 860100 FAX : +44 (0)1803 863838 EMAIL : sales@crowng.com WEB : <http://www.crowng.com>

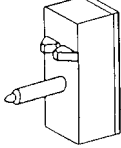



CROWN GRAPHIC

MARKING SYSTEMS CATALOGUE

JANUARY 2008

PAGE B04.01

Model	OEM Part	Our Equivalent	Pk	BARBY & KUHNER
		1SD32-B01 1SD32-R01 1SD32-V01	6 6 6	
		2N100-B 2N100-G 2N100-N 2N100-R 2N100-V	4 4 4 4 4	

GRAPHIC CONTROLS LTD, ST PETERS QUAY, TOTNES, DEVON, TQ9 5XH, UK

TEL : +44 (0)1803 860100 FAX : +44 (0)1803 863838 EMAIL : sales@crowng.com WEB : http://www.crowng.com

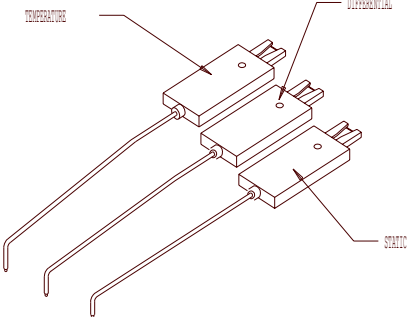


Model	OEM Part	Our Equivalent	Pk	BARTON
<p>12" CIRCLE CHART RECORDERS CAN BE ADAPTED TO USE OUR 1UD24 PEN SERIES WITH THE FOLLOWING ARMS.</p>				
	0230022-25B 02380088C 02380010B 02380011B	9KUD1926	1	
	00140014T 00150015T 04266017-19	9KUD1927	1	
<p>MODEL 202 USES ONE OF EACH 9KUD1926 & 9KUD1927. MODEL 202A USES TWO OF 9KUD1927. WHERE A DEEPER "U" SLOT IS REQUIRED REPLACE 9KUD1926 WITH 9KUD1927.</p>				
202, 202A	0014.0001T 0014.0002T 0014.0003T 0014.0004T		1 1 1 1	
<p>THE ABOVE BUCKET PENS CAN BE REPLACED BY OUR 1UD22 PEN SERIES WHICH FIT DIRECTLY ONTO THE ORIGINAL ARM.</p>				
	0014.0001T 0014.0002T 0014.0003T 0014.0004T		6 6 6 6	

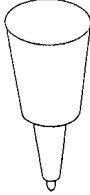
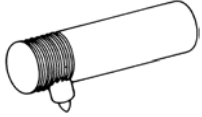
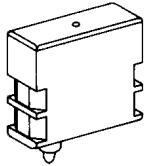


Model	OEM Part	Our Equivalent	Pk	BARTON
	0014.1001T	1UD241-B	6	
	0014.1002T	1UD242-R	6	
	0014.1003T	1UD243-G	6	
	0014.1004T	1UD244-V	6	
<p>NOTE : BARTON'S #'S (ABOVE) USED ONLY BY BARTON CALIFORNIA.</p>				
	0014.1004.T	1UD17213-B	6	
	0014.1004.T	1UD17213-N	6	
	0014.1006.T	1UD18537-R	6	
	0014.1008.T	1UD18800-G	6	
<p>NOTE : BARTON'S #'S (ABOVE) USED ONLY BY BARTON FACTORY.</p>				
	BUK10100	1UD241-R	6	
	BUK10101	1UD242-B	6	
	BUK10102	1UD243-G	6	
	BUK10103	1UD244-V	6	

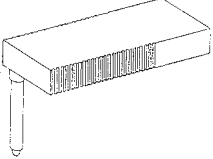
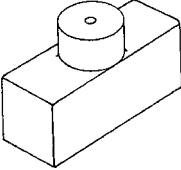


Model	OEM Part	Our Equivalent	Pk	BARTON
12" CIRCLE CHART RECORDERS WITH AUTOMATIC CHART CHANGES		1MX051-N 1MX051-B 1MX052-R 1MX053-G	3 3 3 3	
<div style="border: 1px solid black; padding: 10px; width: fit-content; margin: 0 auto;"> <p>FOR GAS APPLICATIONS REFER TO UNIVERSAL GAS MEASUREMENT SECTION IN FRONT OF CATALOGUE.</p> </div>				

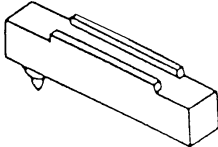


Model	OEM Part	Our Equivalent	Pk	BECKMAN
IR-SPECTRAL-PHOTOMETERS SERIES 4200. ACCULAB SERIES, ACTA M SERIES, MODEL 24, 25, 26. AUTO-PRO 3500. 10" RECORDER, UV-SPECTRAL-PHOTOMETER SERIES 5200, MODEL 34, 35 10" RECORDER.	568 415 915.894	1CY2-R	5	
	568 416 917.286	1CY2-B	5	
	568 417 917.287	1CY2-N	5	
	568 418 917.285	1CY2-G	5	
73-520-00-00 ONE & TWO PEN MODELS (WITHOUT EVENT PEN).	73-525-00-00	1CY51-N	4	
	73-525-01-00	1CY51-R	4	
	73-525-02-00	1CY51-G	4	
	73-525-03-00	1CY51-B	4	
	73-525-06-00	1CY51FL-R	4	
	73-525-07-00	1CY51FL-N	4	
	73-525-08-00	1CY51FL-G	4	
	73-525-09-00	1CY51FL-B	4	
212, 915-A	860948	1PB3-R03	5	
		1FD27-B 1FD27-G 1FD27-N 1FD27-R	6 6 6 6	



Model	OEM Part	Our Equivalent	Pk	BECKMAN
	674030	1FD29L21-R	5	
		2S411-B 2S411-G 2S411-N 2S411-R 2S411-V	4 4 4 4 4	



Model	OEM Part	Our Equivalent	Pk	BELFORT
DRUM RECORDERS	17477	1SD23-V	4	

OUR 1SD23 PEN CAN BE USED AS A DIRECT REPLACEMENT FOR THE ORIGINAL METAL PEN (BELFORT REFERENCE 3LS V PEN). THEY ARE ALSO AVAILABLE IN OTHER COLOURS B,G,N,R.

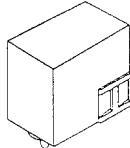

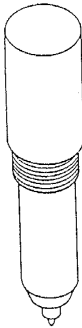


CROWN GRAPHIC

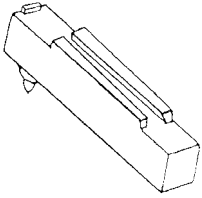
MARKING SYSTEMS CATALOGUE

JANUARY 2008

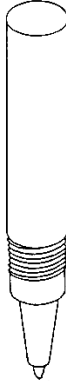
PAGE B08.01

Model	OEM Part	Our Equivalent	Pk	BENDER & HOLBEIN
INTERGRAPH		1SD4-N	10	
ELPHORGRAPH, ELPHORMAT.	10001	1CY8-N 1CY8-R	6 6	
ELPHORGRAPH 3, ELPHORMAT 3.	30001	1CY12-N	6	
ELPHORGRAPH 5, ELPHORMAT 4.	40051 40052	1CY12RB-N 1CY12RB-R	6 6	



Model	OEM Part	Our Equivalent	Pk	BENDIX
	1BTV	1SD7-R 1SD7-V	3 3	
<p>OUR 1SD7 SERIES PENS CAN BE USED AS A DIRECT REPLACEMENT FOR THE ORIGINAL METAL 'V' PEN QUOTED ABOVE WHICH WE CANNOT SUPPLY.</p>				



Model	OEM Part	Our Equivalent	Pk	BENSON
SERIES 100 & 200		1CY1-#01	3	
		1CY1FL-#01	3	
		1CY1P3-#01	3	
		1CY1P5-#01	3	
		1CY1P7-#01	3	
AVAILABLE IN A VARIETY OF COLOURS, B,G,M,N,O,R OR V.				

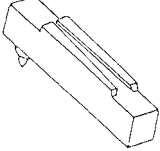


CROWN GRAPHIC

MARKING SYSTEMS CATALOGUE

JANUARY 2008

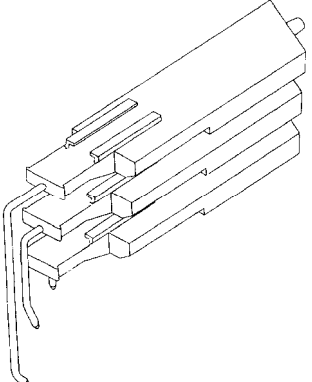
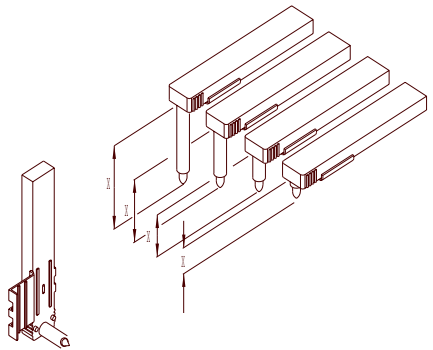
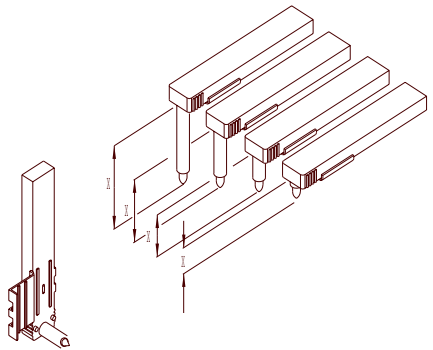
PAGE B11.01

Model	OEM Part	Our Equivalent	Pk	BERRUET
		1SD10-B 1SD10-G 1SD10-M 1SD10-N 1SD10-R 1SD10-V	4 4 4 4 4 4	

GRAPHIC CONTROLS LTD, ST PETERS QUAY, TOTNES, DEVON, TQ9 5XH, UK

TEL : +44 (0)1803 860100 FAX : +44 (0)1803 863838 EMAIL : sales@crowng.com WEB : http://www.crowng.com



Model	OEM Part	Our Equivalent	Pk	B.I.F. (BASIC IN FLOW)
233, 257 SERIES	222131-2 222121-5 222131-1 222131-4 222131-3 222131-6	1MT403-B 1MT402-R05 1MT401-G	3 3 3	
<p>OUR 1UD24 SERIES PENS CAN BE USED ON B.I.F. CIRCLE CHART RECORDERS FITTED WITH FTD HOLDERS.</p>				
233-31, 233-32, 232, 235, 259, 301, 302, 303, 304, 305, 306.	227140-1 227140-3 227140-4 227140-5 227140-6 227140-7	1UD241-R 1UD242-G 1UD242-R 1UD243-B 1UD244-G 1UD243-R	6 6 6 6 6 6	

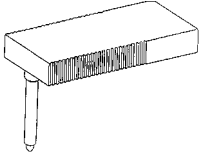


CROWN GRAPHIC

MARKING SYSTEMS CATALOGUE

JANUARY 2008

PAGE B13.01

Model	OEM Part	Our Equivalent	Pk	B.I.F. SANITROL
	1742-48	1FD29C03-N 1FD29C03-R 1FD29C03-B 1FD29C03-G 1FD29C03-V	5 5 5 5 5	

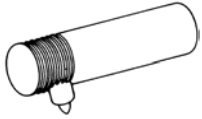


CROWN GRAPHIC

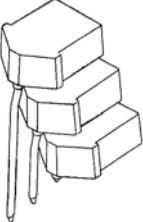
MARKING SYSTEMS CATALOGUE

JANUARY 2008

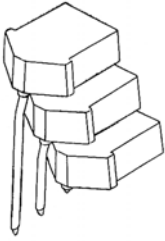
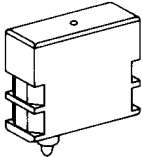
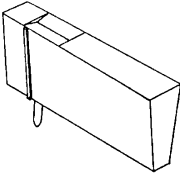
PAGE B14.01

Model	OEM Part	Our Equivalent	Pk	BIO OPTRONICS
	816-00101-1 816-00101-2	1PB3-R03 1PB3-N03	5 5	


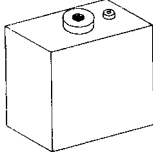


Model	OEM Part	Our Equivalent	Pk	BIO-RAD
		1MT081-#	1	
		1MT082-#	1	
		1MT083-#	1	
<p>AVAILABLE IN A VARIETY OF COLOURS, EITHER B,G,N,R OR V.</p>				



Model	OEM Part	Our Equivalent	Pk	BIOTRONIK
		1MT081-# 1MT082-# 1MT083-#	1 1 1	
		AVAILABLE IN A VARIETY OF COLOURS, EITHER B,G,N,R OR V.		
		1FD27-B 1FD27-G 1FD27-N 1FD27-R	6 6 6 6	
		1FD21-A 1FD21-B 1FD21-C 1FD21-G 1FD21-L 1FD21-M 1FD21-N 1FD21-O 1FD21-R 1FD21-V	10 10 10 10 10 10 10 10 10 10	



Model	OEM Part	Our Equivalent	Pk	BOYLE IND.GAUGING
		4N29	1	
		2N500-B 2N500-G 2N500-N 2N500-R 2N500-V	4 4 4 4 4	
		2S301-B 2S301-M 2S301-R	1 1 1	

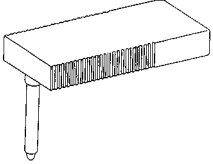
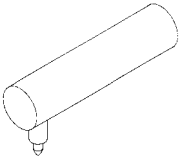


CROWN GRAPHIC

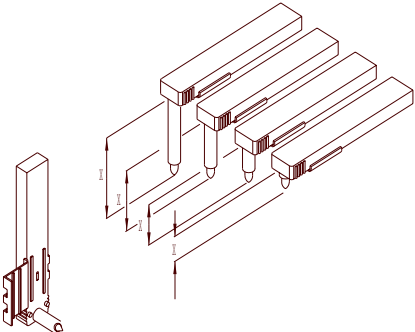
MARKING SYSTEMS CATALOGUE

JANUARY 2008

PAGE B18.01

Model	OEM Part	Our Equivalent	Pk	BRABENDER
	01-00-285 01-00-286	1FD29C13-R 1FD29C13-B	5 5	
MEHLSHREIBER, PLASTOGRAPH, PLASTI-CORDER		1PB7-B03 1PB7-N03 1PB7-R03	6 6 6	



Model	OEM Part	Our Equivalent	Pk	BRAINARD
AS 710		<div data-bbox="228 457 857 583" style="border: 1px solid black; padding: 5px; margin-bottom: 10px;"> <p>OUR PEN ARM 9KUD1928 REPLACES 67R-8" AND PERMITS OUR 1UD24 PEN SERIES TO BE USED ON AS 710'S RECORDERS</p> </div> <p data-bbox="735 604 850 632">1UD241-#</p> <p data-bbox="735 659 850 686">1UD242-#</p> <p data-bbox="735 714 850 741">1UD243-#</p> <p data-bbox="735 768 850 795">1UD244-#</p> <div data-bbox="245 850 769 976" style="border: 1px solid black; padding: 5px; margin-top: 10px;"> <p>PENS ARE AVAILABLE IN A VARIETY OF COLOURS, EITHER B,G,N,R OR V.</p> </div>	<p data-bbox="959 604 980 632">6</p> <p data-bbox="959 659 980 686">6</p> <p data-bbox="959 714 980 741">6</p> <p data-bbox="959 768 980 795">6</p>	



Model	OEM Part	Our Equivalent	Pk	BRISTOL
	284348007 (FA) 284349003 (FB)	9BR16 9BR17	1 1	
<p>NOTE : BOTH THE ABOVE ARE DIRECT REPLACEMENTS OF EXISTING PEN ARMS HAVING A 'V' SLOT AT ONE END, AND ACCEPT 1UD21'S OR METAL BUCKET PENS. ALL LENGTHS AVAILABLE.</p>				
CIRCLE CHART	232914.00.1 232915.00.8 232916.00.4 228577.00.4	9BR01 9BR02 9BR03 9BR04	1 1 1 1	
<p>CIRCLE CHART RECORDERS USE OUR 1UD21 SERIES PENS WHICH CAN BE FITTED DIRECTLY TO THE EXISTING ARMS. THESE ARE ALSO SUPPLIED BY BRISTOL FOR THESE RECORDERS. FOR LONGER LINE LENGTHS USE THE 1UD24 PEN SERIES WITH CONVERSION ARM(S) LISTED ON PAGE, B20.02, B20.03 & B20.04 (THE DIMENSION IN BRACKETS AFTER THE REFERENCE OF OUR EQUIVALENT ARM IS THE LENGTH FROM THE REAR END OF THE PEN ARM TO THE NIB POINT OF THE PEN IN INCHES.</p>				
No.2	375985-02-6	1UD212-B	6	
No.1	375985-05-0	1UD211-B	6	
No.3	375985-03-4	1UD213-G	6	
No.2	375985-04-2	1UD212-R	6	
No.3	375985-06-9	1UD213-B	6	
No.4 (LONGEST)	N/A	1UD214-#	6	



Model	OEM Part	Our Equivalent	Pk	BRISTOL
No.1 (SHORTEST)	375985-01-8	1UD241-R	6	
No.2	375985-02-6	1UD242-B	6	
No.1	375985-05-0	1UD241-B	6	
No.3	375985-03-4	1UD243-G	6	
No.2	375985-04-2	1UD242-R	6	
No.3	375985-06-9	1UD243-B	6	
No.4 (LONGEST)	N/A	1UD244-#	6	
8" MODELS	249704005 (CG)	9KUD1940 (3.468")	1	
	249705001 (CH) 289846005 (GF)	9KUD1941 (3.578")	1	
	N/A	9KUD1952 (4.160")	1	
	308885007	9KUD1943 (4.503")	1	
	249707004 (DC)	9KUD1944 (4.575")	1	
	283724005 (GC)	9KUD1924	1	
	283725001 (GA) 289847001 (GG) 293024006 294073000 (CJ)	9KUD1944 (4.575")	1	
	294073000 (DJ)	9KUD1947 (4.885")	1	
	308886003 (KH) 289847001 (GG)	9KUD1948 (5.013")	1	
	283727004 (GB)			
	292494009 (GH)			



Model	OEM Part	Our Equivalent	Pk	BRISTOL
12" MODELS	249707004 (DC)	9KUD1944 (4.575")	1	
	290086000 (GE) 306270005 (GL) 308882008 (KJ)	9KUD1949 (5.264")	1	
	N/A	9KUD1950 (6.808")	1	
	248351008 (FD) 293188009 (FJ) 332726002 (KN)	9KUD1951 (7.223")	1	
	283728000 (FE) 284348007 (FA) 290650003 (FH) 312057008 (FP) 332403009 (KK)	9KUD1924 (7.638")	1	
	284349003 (FB) 290651000 (FG) 293189005 (FK) 294014004 (FL) 312058004 (FR) 332497003 (KL) 333409000 (KP) 382653017 (KR)	9KUD1923 (8.053")	1	
	284350001 (FC) 332498000 (KM)	9KUD1922 (8.468")	1	



Model	OEM Part	Our Equivalent	Pk	BRISTOL
FOR REFERENCING FROM THE MODEL NUMBERS BELOW THE CHANNEL NUMBERS ARE COUNTED 1= SHORTEST, LOWER PEN, 2= NEXT LONGEST ABOVE ETC.				
8" MODELS				
530	CHANNEL 1	9KUD1943	1	
	CHANNEL 2	9KUD1946	1	
532	CHANNEL 1	9KUD1949	1	
	CHANNEL 2	9KUD1946	1	
565, 575.	CHANNEL 1	9KUD1944	1	
ITIOT169	CHANNEL 1	9KUD1940	1	
	CHANNEL 2	9KUD1948	1	
680, 682, 685.	CHANNEL 1	9KUD1944	1	
	CHANNEL 2	9KUD1948	1	
4069 TH	CHANNEL 1	9KUD1940	1	
	CHANNEL 2	9KUD1941	1	
12" MODELS				
500, 501, 681, 683, 4331.	CHANNEL 1	9KUD1924	1	
	CHANNEL 2	9KUD1923	1	
	CHANNEL 3	9KUD1922	1	
	CHANNEL 4	9KUD1951	1	
540 AMMETER & VOLTMETER.	CHANNEL 1	9KUD1949	1	
	CHANNEL 2	9KUD1949	1	
	CHANNEL 3	9KUD1949	1	
560, 570, 590.	CHANNEL 1	9KUD1944	1	
FOR AN OPTIONAL 4000FT LINE LENGTH ON THE 500 MODEL USE THE 1MT61 & 9K61 SERIES. PLEASE CALL FOR MORE INFO.				

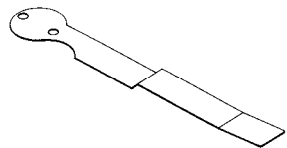
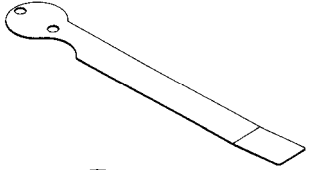
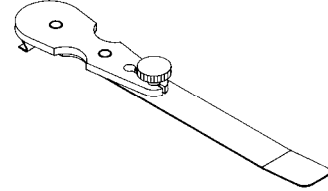
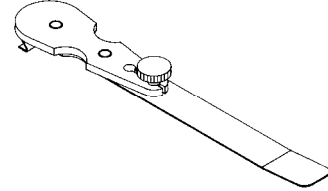
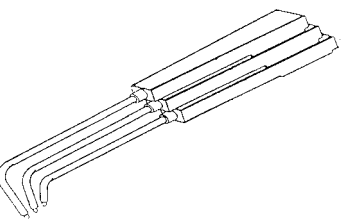
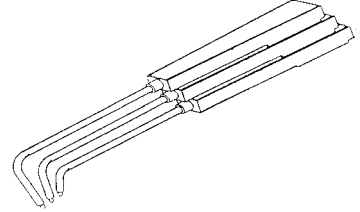


Model	OEM Part	Our Equivalent	Pk	BRISTOL
4392	LA203291	1UD231-B	2	
	LA203292	1UD232-R	2	
	LA203293	1UD233-G	2	
	LA203294	1UD234-N	2	
METATRONIC 2000	374232016	2R310-R	4	
	374232024	2R310-B	4	
	374232032	2R310-G	4	
	374232040	2R310-N	4	
550	385691-01-7	1SD3103-R	6	
	385691-02-5	1SD3006-B	6	
	383774-01-2	1SD3102-B	6	
	383774-02-0	1SD3102-R	6	
570, 590.	383780-01-2	1SD3101-B	6	
	383780-02-0	1SD3002-R	6	
	383780-03-9	1SD3101-R	6	
	383780-0X-0	1SD3101-G	6	





Model	OEM Part	Our Equivalent	Pk	BRISTOL
FIBRE TIP PEN KIT				
	BA0362-1FT	9BR08 1 PEN	1	
	BA0363-2FT	9BR09 2 PEN	2	
	BA0364-3FT	9BR10 3 PEN	3	
	BA0365-4FT	9BR11 4 PEN	4	
STAINLESS STEEL PEN KIT				
	BA0262-SS1	9BR12 1 PEN	1	
	BA0363-SS2	9BR13 2 PEN	2	
	BA0364-SS3	9BR14 3 PEN	3	
	BA0365-SS4	9BR15 4 PEN	4	
<p>NB. THESE KITS REPLACE BUCKET PENS WITH A CAPILLARY PEN SYSTEM INCORPORATING OUR 4N38 TIP AND 2N500 INK CARTRIDGE. EACH KIT CONTAINS THE NECESSARY NUMBER OF PENS ETC FOR THE SPECIFIED NUMBER OF CHANNELS.</p>				

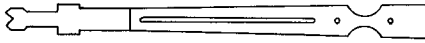
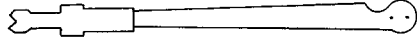

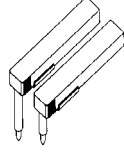
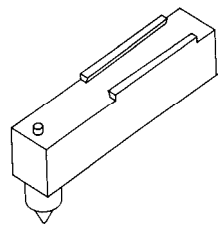


Model	OEM Part	Our Equivalent	Pk	BRITISH ROTOTHERM
CIRVULAR CHART RECORDER DINZONE & TENZOR	23988-11 55425 CL	1UD731-B	3	  
		9K736	1	
	23989-11 55424 CU	1UD732-R	3	
		9K737	1	
DIGITAL RECORDER SERIES 33.	23988-11 55423 RL	1UD731-B	3	 
		9K734	1	
	23989-11 55422 RU	1UD732-R	3	
		9K735	1	
	28676-11	1UD731-R	3	
	28677-11	1UD732-B	3	
	27029-11	1UD733-G	3	
		9K735	1	
THERMOGRAPHS BAROGRAPHS HYDROGRAPHS	M146/1	9R005	1	
	M146/2	9R006	1	
	M146/3	9R007	1	
OLD METAL CAPILLARY PENS FOR FOSTER CAMBRIDGE NOW SOLD BY BRITISH ROTOTHERM.	P101L-0043	9A016	1	
	P102L-0048	9A017	1	
	P103L-0576T	9A018	1	
	B/SK5572	9A01802	1	



Model	OEM Part	Our Equivalent	Pk	BRITISH ROTOTHERM
RECORDERS (1 & 2 PEN).	2-55422 18783-54	9R001 (UPPER PEN KIT)	1	 
RECORDERS (2 PEN).	2-55423 18787-54	9R002 (LOWER PEN KIT)	1	
RECORDERS / CONTROLLERS (1 & 2 PEN).	2-55424 18784-54	9R003 (UPPER PEN KIT)	1	
RECORDERS / CONTROLLERS (2 PEN).	2-55425 18785-54	9R004 (LOWER PEN KIT)	1	
RECORDERS, COTROLLER / RECORDERS.	2-55426 16857-02	4N-2-250-46NZ	1	
	2-55427	2N500-R	4	
	2-55428	2N500-V	4	
	N/A	2N500-B	4	
	N/A	2N500-G	4	
	09286-01	7RB (PRIMING BULB).	1	
<p>THE ABOVE METAL CAPILLARY PEN KITS CAN BE CONVERTED TO USE OUR 1UD24 DISPOSABLE PENS BY REPLACING THE EXISTING PEN ARM WITH THE APPROPRIATE CONVERSION ARM. THESE ARMS ARE LISTED ON PAGE B21.03 AGAINST THE ORIGINAL CAPILLARY PEN KIT PART NUMBERS WHICH THEY REPLACE.</p>				



Model	OEM Part	Our Equivalent	Pk	BRITISH ROTOTHERM
RECORDERS (1 & 2 PEN).	2-55422 23597-01	9KUD191	1	
RECORDERS (2 PEN).	2-55423 23598-01	9KUD192	1	
RECORDERS / CONTROLLERS (1 & 2 PEN).	2-55424	9KUD193	1	
RECORDERS / CONTROLLERS (2 PEN).	2-55425	9KUD194	1	
	FOR 9KUD191 AND 9KUD193.	1UD243-R	6	
	FOR 9KUD192.	1UD242-B	6	
	FOR 9KUD192 ALTERNATIVE COLOUR.	1UD242-V	6	
	FOR 9KUD194.	1UD242-R	6	
1UD24 PENS ARE ALSO AVAILABLE WITH THESE NIB LENGTHS IN GREEN & BLACK.				
	27 044-11	1SD91-N	2	



CROWN GRAPHIC

MARKING SYSTEMS CATALOGUE

JANUARY 2008

PAGE B22.01

Model	OEM Part	Our Equivalent	Pk	BROWN (S.G.)
COURSE RECORDER.	23027 R.H. PEN	9SGB01	1	
	23028 L.H. PEN	9SGB02	1	

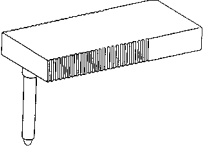


CROWN GRAPHIC

MARKING SYSTEMS CATALOGUE

JANUARY 2008

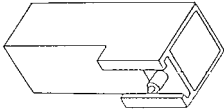
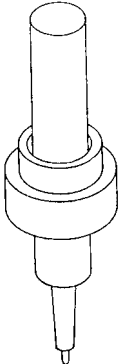
PAGE B23.01

Model	OEM Part	Our Equivalent	Pk	BROWNE
	104 105	1FD29C13-R 1FD29C13-B	5 5	


GRAPHIC CONTROLS LTD, ST PETERS QUAY, TOTNES, DEVON, TQ9 5XH, UK

TEL : +44 (0)1803 860100 FAX : +44 (0)1803 863838 EMAIL : sales@crowng.com WEB : http://www.crowng.com

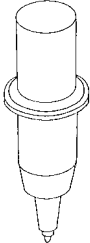



Model	OEM Part	Our Equivalent	Pk	BRUEL & KJAER
1800 AUDIOSCRIBE, 2118 AUDIO TEST STATION, 2116, 2305, 2306, 2307, 2308 & 2309.	QI0004	1SD34-N	6	
	QI0005	1SD34-R	6	
	QI0006	1SD34-G	6	
	QI0010	1SD34-M	6	
	QI0011	1SD34-B	6	
	QI0003	1SD34-MIX01 (2 x N, 1 x R,G,B&M)	6	
2319		1CY10	6	
	AVAILABLE IN EITHER P3, P5, P7 AND RB. THE COLOURS AVAILABLE ARE EITHER A,B,C,G,M,N,O,R,V & Y.			
	QI0013	1CY10P#-N	6	
	QI0014	1CY10P3MIX31	6	
QI0015	1CY10P7MIX31	6		
		MIX31 = 1x RGBVMC.		



Model	OEM Part	Our Equivalent	Pk	BRUKER PHYSIK
<p>X-Y RECORDER MODELS B-R70, BR71, 1FS110, SWL100, W-P60.</p>		1CY1-#01	3	
		1CY1FL-#01	3	
		1CY1P3-#01	3	
		1CY1P5-#01	3	
		1CY1P7-#01	3	
<p>AVAILABLE IN A VARIETY OF COLOURS, B,G,M,N,O,R OR V.</p>				



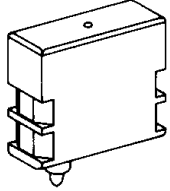
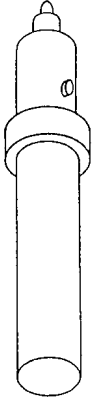
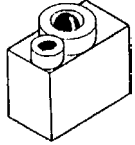
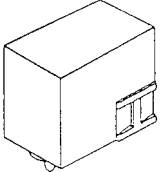
Model	OEM Part	Our Equivalent	Pk	BRUNING
ZETA SPRINT		1CY20P3-# 1CY20P5-# 1CY20P7-# 1CY20RB-#	5 5 5 5	
<div style="border: 1px solid black; padding: 5px; width: fit-content; margin: 0 auto;"> <p>THESE PENS ARE AVAILABLE IN ANY OF THE FOLLOWING COLOURS R,B,G,N,V,M,O,A,Y,C, OR MIXES OF THEM.</p> </div>				
SERIES 1400, 1453B, 1453SX, 3600SX, 3653SX.	300-751P 300-752P 300-753P 300-754P 300-755P 300-756P 300-757P 300-758P 300-759P 300-760P 300-721 300-722 300-723 300-724 300-725 300-726 300-727 300-728 300-729 300-730	1CY25P3-N 1CY25P3-B 1CY25P3-R 1CY25P3-G 1CY25P3-M 1CY25P3-Y 1CY25P3-V 1CY25P3-O 1CY25P3-C 1CY25P3-A 1CY25RB-N 1CY25RB-B 1CY25RB-R 1CY25RB-G 1CY25RB-M 1CY25RB-Y 1CY25RB-V 1CY25RB-O 1CY25RB-C 1CY25RB-A	6 6 6 6 6 6 6 6 6 6 6 6 6 6 6 6 6 6 6 6	
<div style="border: 1px solid black; padding: 5px; width: fit-content; margin: 0 auto;"> <p>1CY25P5 AND 1CY25P7'S ARE ALSO AVAILABLE. FOR COLOURS REFER TO 1CY25RB LIST ABOVE.</p> </div>				



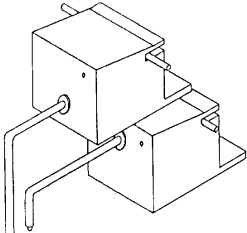
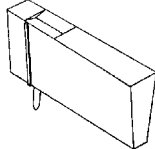


Model	OEM Part	Our Equivalent	Pk	BRUNING
3610, 3620, 5400, ZETA -8, -822, -824, -824CS, -836, -836CS, -887 -912, -912PS, -924, -924PS, -936, -936PS.	300-401	1CY24P3-N	6	
	300-402	1CY24P3-B	6	
	300-403	1CY24P3-R	6	
	300-404	1CY24P3-G	6	
	300-405	1CY24P3-M	6	
	300-406	1CY24P3-Y	6	
	300-407	1CY24P3-V	6	
	300-408	1CY24P3-O	6	
	300-409	1CY24P3-C	6	
	300-410	1CY24P3-A	6	
	300-399	1CY24P3MIX03 1xNRBGMVOY	8	
	300-831	1CY24RB-N	6	
	300-832	1CY24RB-B	6	
	300-833	1CY24RB-R	6	
	300-834	1CY24RB-G	6	
	300-835	1CY24RB-M	6	
	300-836	1CY24RB-Y	6	
	300-837	1CY24RB-V	6	
	300-838	1CY24RB-O	6	
	300-839	1CY24RB-C	6	
	300-840	1CY24RB-A	6	
	300-829	1CY24RBMIX03 1xNRBGMVOY	8	

1CY24P5 AND 1CY24P7'S ARE ALSO AVAILABLE. FOR COLOURS REFER TO 1CY24RB LIST ABOVE.

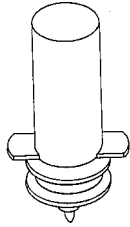


Model	OEM Part	Our Equivalent	Pk	BRYANS INSTRUMENTS
BS600 & BS900	BS0100 BS0101 BS0102 BS0103 BS0120 BS0121	1FD27-N 1FD27-B 1FD27-R 1FD27-G 1FD27-M 1FD27-V	6 6 6 6 6 6	
BS8000 ANALOGUE SIGNAL PROCESSOR.	BS8000/30006 BS 8110-103 BS8000/30007 BS 8000-104	1CY14-B 1CY14-R 1CY14-G 1CY14-M 1CY14-N 1CY14-O 1CY14-V 1CY14-Y	5 5 5 5 5 5 5	
28000 SERIES	28000/27 28001/27 28050/27 28051/27 28000/45 28000/46 28000/47	9GB01 9GB02 9GB03 9GB04 2S101-R 2S101-G 2S101-V	1 1 1 1 4 4 4	 2S101
HR2000 SERIES XY RECORDERS.	<div style="border: 1px solid black; padding: 5px; display: inline-block;"> COLOURS AVAILABLE ARE EITHER B,G,N,R OR V. </div>		10	



Model	OEM Part	Our Equivalent	Pk	BRYANS INSTRUMENTS
1 & 2 PEN 28000 RECORDERS.	28000/52	1MT07-R	1	
TRANSCRIBE 10" TRANSIENT RECORDER.	28000/53 28000/55	1MT07-N 1MT07-G	1 1	
SHORT PEN FOR 2 PEN 28000.	28050/52 28050/53 28050/55	1MT06-R 1MT06-G 1MT06-G	1 1 1	
BS300 SERIES.	869-016-0025 869-016-0026 869-016-0027 869-016-0028 869-016-0029 869-016-0030	1FD21-N 1FD21-B 1FD21-R 1FD21-G 1FD21-M 1FD21-V	10 10 10 10 10 10	
26000 SERIES 2 ND PEN.	869-011-0013 869-011-0014 869-011-0015 869-011-0016	1CY16-B 1CY16-R 1CY16-N 1CY16-G	5 5 5 5	
XY-T, 60010, 60011, 60110, 60000.	869-011-0021 869-011-0020 869-011-0022 869-011-0023 869-011-0024	1CY4-N 1CY4-R 1CY4-B 1CY4-G 1CY4-V	5 5 5 5 5	



Model	OEM Part	Our Equivalent	Pk	BRYANS INSTRUMENTS
6410 (A3), 6310(DS7), 6320 (DS10), DIGITAL PLOTTERS 83, 84.	0630000200	1CY17P3-N	5	
	0630000201	1CY17P3-M	5	
	0630000202	1CY17P3-R	5	
	0630000203	1CY17P3-O	5	
	0630000304	1CY17P3-Y	5	
	0630000205	1CY17P3-G	5	
	0630000206	1CY17P3-B	5	
	0630000207	1CY17P3-V	5	
	0630000208	1CY17P3-A	5	
	0630000209	1CY17P3-C	5	
	0630000210	1CY17P3MIX08 (1 x R,N,B,G,C)	5	
		1CY17P5-# (FOR COLOURS SEE P3 COLUMN)	5	
	0630000220	1CY17P7-N	5	
	0630000221	1CY17P7-M	5	
	0630000222	1CY17P7-R	5	
	0630000223	1CY17P7-O	5	
	0630000224	1CY17P7-Y	5	
	0630000225	1CY17P7-G	5	
	0630000226	1CY17P7-B	5	
	0630000227	1CY17P7-V	5	
	0630000228	1CY17P7-A	5	
	0630000229	1CY17P7-C	5	
	0630000713	1CY17P7MIX08 (1 x R,N,B,G,C)	5	
	0630000240	1CY17RB-N	5	
	0630000241	1CY17RB-M	5	
	0630000242	1CY17RB-R	5	
	0630000243	1CY17RB-O	5	
	0630000244	1CY17RB-Y	5	
	0630000245	1CY17RB-G	5	
	0630000246	1CY17RB-B	5	
	0630000247	1CY17RB-V	5	
	0630000248	1CY17RB-A	5	
	0630000249	1CY17RB-C	5	
0630000711	1CY17RBMIX07 (1 x R,N,B,G,V)	5		
0630000300	1CY17-MIX09 (1 x P7-R, RB- O, RB-N, P3-V, P3-M)	5		


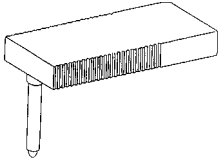


CROWN GRAPHIC

MARKING SYSTEMS CATALOGUE

JANUARY 2008

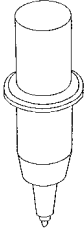


PAGE B27.04

Model	OEM Part	Our Equivalent	Pk	BRYANS INSTRUMENTS		
6120 DIGITAL RECORDER.	0610000240	1CY22RB-N	7			
	0610000241	1CY22RB-M	7			
	0610000242	1CY22RB-R	7			
	0610000243	1CY22RB-O	7			
	0610000245	1CY22RB-G	7			
	0610000246	1CY22RB-B	7			
	0610000247	1CY22RB-V	7			
	0610000751	1CY22RBMIX	7			
	0610000250	1CY22P5-N	7			
	0610000251	1CY22P5-M	7			
	0610000252	1CY22P5-R	7			
	0610000253	1CY22P5-O	7			
	0610000255	1CY22P5-G	7			
	0610000256	1CY22P5-B	7			
	0610000257	1CY22P5-V	7			
	0610000211	1CY22P5MIX	7			
	BS270 SERIES	869-011-0025	1FD29C09-R		5	
		869-011-0026	1FD29C26-G		5	
BS125 & BS250	869-016-0031 FS-30	1FD29C09-N	5			
	869-016-0032 FS-32	1FD29C09-R	5			
BS250 (2 ND PEN)	869-016-0033 FML35	1FD29C26-G	5			
	FML-36	1FD29C26-B	5			
BS250 (3 RD PEN)	869-016-0034 FXL-37	1FD29C38-B	5			

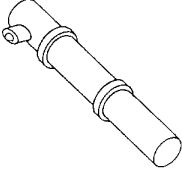
GRAPHIC CONTROLS LTD, ST PETERS QUAY, TOTNES, DEVON, TQ9 5XH, UK

TEL : +44 (0)1803 860100 FAX : +44 (0)1803 863838 EMAIL : sales@crowng.com WEB : http://www.crowng.com



Model	OEM Part	Our Equivalent	Pk	BRYANS INSTRUMENTS		
80, 81, 6600, 6710, 6780, 6810, 6880.	869-112-0000	1CY20P3-N	5			
	869-112-0002	1CY20P3-R	5			
	869-112-0005	1CY20P3-G	5			
	869-112-0006	1CY20P3-B	5			
	869-112-0010	1CY20P3MIX01 (1 x R,B,G,N)	4			
	869-113-0000	1CY20P7-N	5			
	869-113-0002	1CY20P7-R	5			
	869-113-0005	1CY20P7-G	5			
	869-113-0006	1CY20P7-B	5			
	869-113-0010	1CY20P7MIX01 (1 x R,B,G,N)	4			
	869-109-0000	1CY20RB-N	5			
	869-109-0002	1CY20RB-R	5			
	869-109-0005	1CY20RB-G	5			
	869-109-0006	1CY20RB-B	5			
	869-109-0010	1CY20RBMIX01 (1 x R,B,G,N)	4			
	21000, 26000, 27000, 28000 (WITH ADAPTERS SUPPLIED BY BRYANS).	869-011-0010	1CY1-B01		3	
		869-011-0018	1CY1-R01		3	
		869-011-0019	1CY1-G01		3	
SRL		1CY5-#	4			
COLOURS AVAILABLE B,G,N OR R.						



Model	OEM Part	Our Equivalent	Pk	BURGER
		1PB4-B 1PB4-G 1PB4-N 1PB4-R 1PB420MM-B 1PB420MM-G 1PB420MM-N 1PB420MM-R	6 6 6 6 6 6 6 6	
		1PB8-B 1PB8-N 1PB8-R 1PB8-V	6 6 6 6	