
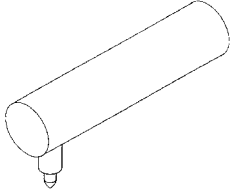
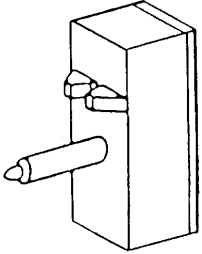



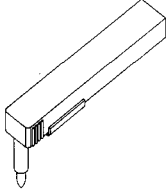
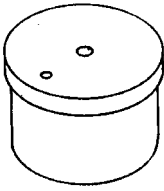


Model	OEM Part	Our Equivalent	Pk	ECKARDT
PNEUMATIC 3 CHANNEL STRIP CHART RECORDER COMPACT P600, ELECTRIC 3 CHANNEL STRIP CHART RECORDER COMPACT E600.	FEXG.414.165.014	1MT201-B	5	
	FEXG.414.165.061	1MT201-R	5	
	FEXG.414.165.079	1MT201-G	5	
	FEXG.414.165.088	1MT201-V	5	
	FEXG.414.165.097	1MT201-M	5	
	FEXG.414.165.102	1MT201-N	5	
	FEXG.414.165.023	1MT202-R	5	
	FEXG.414.165.111	1MT202-B	5	
	FEXG.414.165.122	1MT202-G	5	
	FEXG.414.165.131	1MT202-V	5	
	FEXG.414.165.149	1MT202-M	5	
	FEXG.414.165.158	1MT202-N	5	
	FEXG.414.165.032	1MT203-G	5	
	FEXG.414.165.167	1MT203-B	5	
	FEXG.414.165.176	1MT203-R	5	
	FEXG.414.165.185	1MT203-V	5	
	FEXG.414.165.194	1MT203-M	5	
FEXG.414.165.201	1MT203-N	5		
PNEUMATIC 1 CH. STRIP CHART RECORDER. COMPACT P600	FEXG.414.165.041	1MT204-B	5	
PNEUMATIC 2 CH. STRIP CHART RECORDER. COMPACT P600	FEXG.414.165.041	1MT204-B	5	
	FEXG.414.165.052	1MT203-R	5	
		2N100-B 2N100-G 2N100-N 2N100-R 2N100-V	4 4 4 4 4	

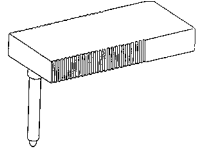
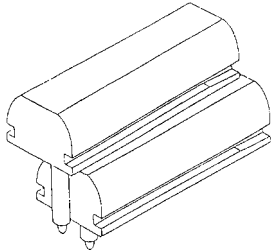
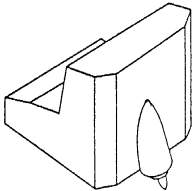
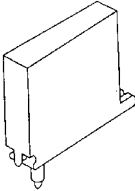


Model	OEM Part	Our Equivalent	Pk	ECKARDT
		2N200-B 2N200-G 2N200-N 2N200-R 2N200-V	4 4 4 4 4	
D34/., DB4/., DR4/., ED4/., EP4/.		1PB7-B03	1	
DK5/., DP5., DR5/., DS5., EP5/., TQF5/.	FEXG.403.783.012 FEXG.408.401.012	1SD32-B01 1SD32-R01 1SD32-V01	6 6 6	



Model	OEM Part	Our Equivalent	Pk	EDGCUMBE PEEBLES
<p>FLAT CHART RECORDERS CAN BE CONVERTED TO USE OUR 1UD24 FTD PEN SERIES BY USING OUR ARM LISTED BELOW. THE CONVERSION IS NOT SUITABLE FOR SLOPING MODELS. ON SUPER RESPONSE MODELS THE 1UD24 MAY NOT GIVE AN ADEQUATE HIGH SPEED TRACE.</p>				
	PA26106A PA26106B PA26412 P26413 PA26107 PA25826 PA25827 PA23242 PA16733	9KUD197 1UD242-B	1 6	 
	P4678A	9MR12518716		
DWARF RECORDERS. ("INKWELL" PENS WITH SCREWED BUSHES).	PA23230 BK PA23230 R PA23230 B PA23230 G PA23230 M	2S502-N 2S502-R 2S502-B 2S502-G 2S502-V	1 1 1 1 1	
	RY8479-01 RY8479-02	9EV01 9EV02	1 1	



Model	OEM Part	Our Equivalent	Pk	ELKAY
	LK-011-0252-011 LK-011-0252-012 LK-011-0253-011 LK-011-0253-012 LK-011-0253-013	1FD29C19-G 1FD29C19-R 1FD29C33-G 1FD29C33-R 1FD29C33-N	5 5 5 5 5	
	LK-011-0254-011 LK-011-0254-012 LK-011-0254-013 LK-011-0254-014 LK-011-0255-011 LK-011-0255-012 LK-011-0255-013 LK-011-0255-014	1SD3003-G 1SD3003-R 1SD3003-N 1SD3003-B 1SD3101-G 1SD3101-R 1SD3101-N 1SD3101-B	6 6 6 6 6 6 6 6	
	LK-011-0258-011 LK-011-0258-012	1SD24-G 1SD24-R	6 6	
	LK-011-0259-011 LK-011-0259-012 LK-011-0259-013 LK-011-0259-014	1FD20-G 1FD20-R 1FD20-N 1FD20-B	2 2 2 2	

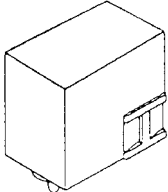
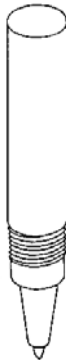


CROWN GRAPHIC

MARKING SYSTEMS CATALOGUE

JANUARY 2008

PAGE E03.02

Model	OEM Part	Our Equivalent	Pk	ELKAY
	LK-011-0263-011 LK-011-0263-012 LK-011-0263-013 LK-011-0263-014	1SD4-G 1SD4-R 1SD4-N 1SD4-B	10 10 10 10	
	LK-011-0251-011 LK-011-0251-012 LK-011-0251-013 LK-011-0251-014	1CY51-G 1CY51-R 1CY51-N 1CY51-B	6 6 6 6	
	LK-011-0260-011 LK-011-0260-012 LK-011-0260-013 LK-011-0260-014	1CY1-G01 1CY1-R01 1CY1-N01 1CY1-B01	3 3 3 3	

GRAPHIC CONTROLS LTD, ST PETERS QUAY, TOTNES, DEVON, TQ9 5XH, UK

TEL : +44 (0)1803 860100 FAX : +44 (0)1803 863838 EMAIL : sales@crowng.com WEB : http://www.crowng.com




CROWN GRAPHIC

MARKING SYSTEMS CATALOGUE

JANUARY 2008

PAGE E04.01

Model	OEM Part	Our Equivalent	Pk	ELMES STAUB
ELMES 13	442935/1	1CY8-B	6	

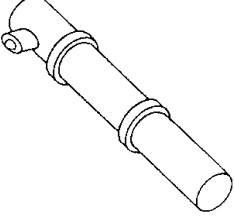


CROWN GRAPHIC

MARKING SYSTEMS CATALOGUE

JANUARY 2008

PAGE E05.01

Model	OEM Part	Our Equivalent	Pk	ELVI
		1PB418MM-B 1PB418MM-G 1PB418MM-N 1PB418MM-R	6 6 6 6	

GRAPHIC CONTROLS LTD, ST PETERS QUAY, TOTNES, DEVON, TQ9 5XH, UK

TEL : +44 (0)1803 860100 FAX : +44 (0)1803 863838 EMAIL : sales@crowng.com WEB : <http://www.crowng.com>

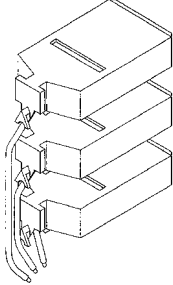
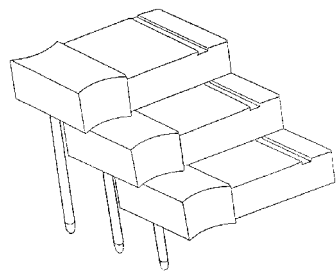
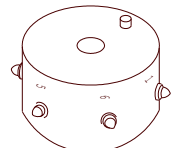
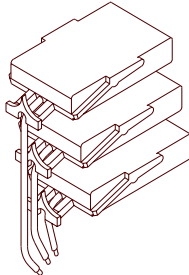
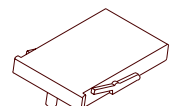


CROWN GRAPHIC

MARKING SYSTEMS CATALOGUE

JANUARY 2008

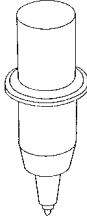
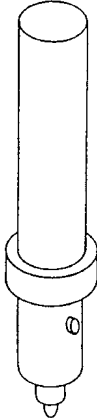
PAGE E06.01

Model	OEM Part	Our Equivalent	Pk	ENDRESS & HAUSER
CHROMA-LOG SL	50044856 50064978	1MX111-B	1	
	50044857 50064977	1MX112-R	1	
	50044858 50064976	1MX113-G	1	
CHROMA-LOG L	5003-4718	1MT851-R	5	
	5003-4719	1MT852-G	5	
	5003-4720	1MT853-B	5	
CHROMA LOG SP, MEGA-LOG TN, MEGA-LOG TP.	50044813	6PW2501 6col	1	
ALPHA LOG RECORDER.	50073115	1MX201-B	1	
	50073116	1MX202-R	1	
	50073117	1MX203-G	1	
	50074032	1MX20A-A	1	

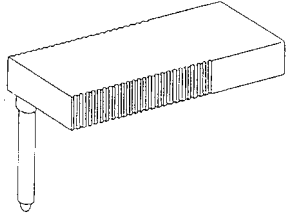
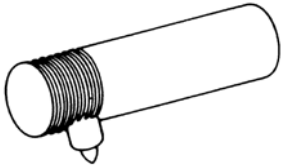
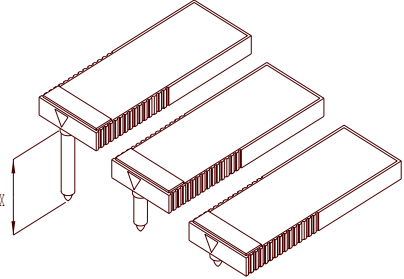
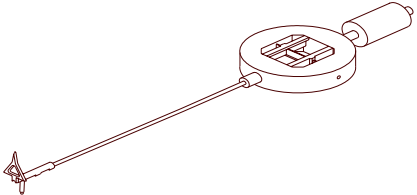
GRAPHIC CONTROLS LTD, ST PETERS QUAY, TOTNES, DEVON, TQ9 5XH, UK

TEL : +44 (0)1803 860100 FAX : +44 (0)1803 863838 EMAIL : sales@crowng.com WEB : http://www.crowng.com

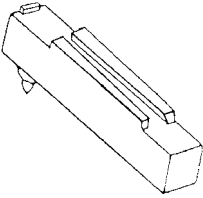


Model	OEM Part	Our Equivalent	Pk	ENTER COMPUTER
SWEET P600, SP1000, SP1200, SP1800.		1CY20P3-# 1CY20P5-# 1CY20P7-# 1CY20RB-#	5 5 5 5	
<p>THE ABOVE PENS ARE AVAILABLE IN A RANGE OF COLOURS, EITHER A,B,C,G,M,N,O,R,V OR Y.</p>				
SWEET P100.		1CY14-# 1CY14P3-# 1CY14P5-# 1CY14P7-# 1CY14RB-#	5 5 5 5 5	
<p>THE ABOVE PENS ARE AVAILABLE IN A RANGE OF COLOURS, EITHER A,B,C,G,M,N,O,R,V OR Y.</p>				



Model	OEM Part	Our Equivalent	Pk	ESTERLINE ANGUS
MINISERVO, UA 5, MS401B, MS401BB, MS401C, MS401E, MS411B, MS411BS.	723A26-RD 723A26-BE 723A26-BK 723A26-GN 723A26-PE	1FD29L20-R 1FD29L20-B 1FD29L20-N 1FD29L20-G 1FD29L20-V	5 5 5 5 5	
613		1PB3-B06 1PB3-G06 1PB3-N06 1PB3-R06 1PB3-V06	5 5 5 5 5	
MINI SERVO, MS411C, MS412B, MS412C, MS413B, MS413C, MS422C, MS424C, MS426C.	752A900-1-6 752A900-2-6 752A900-3-6	1FD041-B 1FD042-R 1FD043-N	6 6 6	
A601C, A609C.	8510C2R 8510C2BE	1MX08-R 1MX08-B	2 2	



Model	OEM Part	Our Equivalent	Pk	EVERSHED & VIGNOLES
		1SD7-B 1SD7-G 1SD7-N 1SD7-R 1SD7-V	3 3 3 3 3	
METAL SYPHON PEN LEFT HAND.	RY8479/1	9EV01	1	
METAL SYPHON PEN RIGHT HAND.	RY8479/2	9EV02	1	
METAL BUCKET PEN	RZ121-13B	9EV03	1	
METAL "TROUGH" PEN TO REPLACE ORIGINAL E.V. "MURDAY" SYSTEM RECORDER.		9EV04	1	