
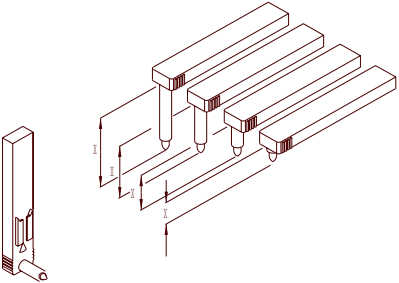





Model	OEM Part	Our Equivalent	Pk	FACIT
4550, 4551	928 8140/101 11350969-00/9	1CY22P3-N	7	
	928 8140/201 11350969-00/7	1CY22P3-R	7	
	928 8140/301 11350969-00/5	1CY22P3-G	7	
	928 8140/401 11350969-00/3	1CY22P3-B	7	
	928 8140/501	1CY22P3-O	7	
	928 8140/601	1CY22P3-M	7	
		1CY22P3-A	7	
		1CY22P3-C	7	
		1CY22P3-V	7	
		1CY22P3-Y	7	
	928 8141/101 11350963-00/2	1CY22P7-N	7	
	928 8141/210 11350963-00/0	1CY22P7-R	7	
	928 8141/301 11350963-00/7	1CY22P7-G	7	
	928 8141/401 11350963-00/5	1CY22P7-B	7	
	928 8141/501	1CY22P7-O	7	
	928 8141/601	1CY22P7-M	7	
		1CY22P7-A	7	
		1CY22P7-C	7	
		1CY22P7-V	7	
		1CY22P7-Y	7	

OUR CY22 RANGE CAN ALSO BE SUPPLIED WITH EITHER P5 OR RB TIPS, THEY CAN BE SUPPLIED IN A VARIETY OF COLOURS BEING EITHER A,B,C,G,M,N,O,R,V OR Y.


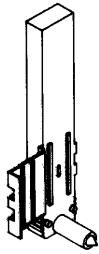
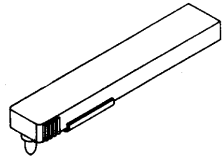


Model	OEM Part	Our Equivalent	Pk	FAREG
		1UD201-B	6	
		1UD201-G	6	
		1UD201-N	6	
		1UD201-R	6	
		1UD201-V	6	
		1UD202-B	6	
		1UD202-G	6	
		1UD202-N	6	
		1UD202-R	6	
		1UD202-V	6	
		1UD203-B	6	
		1UD203-G	6	
		1UD203-N	6	
		1UD203-R	6	
		1UD203-V	6	
		1UD204-B	6	
		1UD204-G	6	
		1UD204-N	6	
		1UD204-R	6	
		1UD204-V	6	

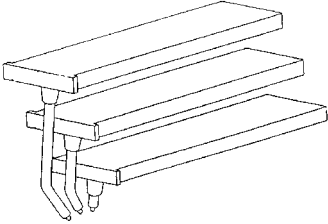
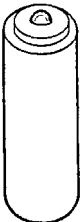

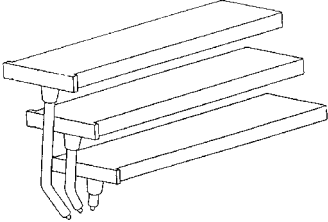
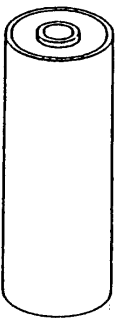


Model	OEM Part	Our Equivalent	Pk	FARNELL		
A4-XY, A3-XY, A3-XYT, A4-XYT		1CY10201P3-A	3			
		1CY10201P3-B	3			
		1CY10201P3-C	3			
		1CY10201P3-G	3			
		1CY10201P3-M	3			
		1CY10201P3-N	3			
		1CY10201P3-O	3			
		1CY10201P3-R	3			
		1CY10201P3-V	3			
		1CY10201P3-Y	3			
		1CY10201P5-A	3			
		1CY10201P5-B	3			
		1CY10201P5-C	3			
		1CY10201P5-G	3			
		1CY10201P5-M	3			
		1CY10201P5-N	3			
		1CY10201P5-O	3			
		1CY10201P5-R	3			
		1CY10201P5-V	3			
		1CY10201P5-Y	3			
		1CY10201P7-A	3			
		1CY10201P7-B	3			
		1CY10201P7-C	3			
		1CY10201P7-G	3			
		1CY10201P7-M	3			
		1CY10201P7-N	3			
		1CY10201P7-O	3			
		1CY10201P7-R	3			
		1CY10201P7-V	3			
		1CY10201P7-Y	3			
		1CY10201RB-A	3			
		1CY10201RB-B	3			
		1CY10201RB-C	3			
		1CY10201RB-G	3			
		1CY10201RB-M	3			
		1CY10201RB-N	3			
		1CY10201RB-O	3			
		1CY10201RB-R	3			
		1CY10201RB-V	3			
		1CY10201RB-Y	3			
	PR1A		1MT01A1-R		1	
			1MT01A2-N		1	


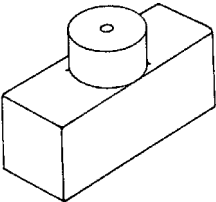
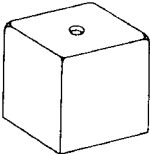



Model	OEM Part	Our Equivalent	Pk	FIELDEN INSTRUMENTS	
"BIKINI" RECORDER	A1/144	9FE01	1		
	A25913 A25914	2N375-#	4		
THE 2N375 RANGE CAN BE SUPPLIED IN A VARIETY OF COLOURS, THE STANDARD BEING EITHER B,G,N OR R.					
	A25976	9ROL	1		
	A25977	7RB	1		
THE ABOVE RECORDER CAN BE CONVERTED TO USE OUR 1UD241 FTD PEN BY USING THE CONVERSION ARM LISTED BELOW.					
	A25911	9KUD1917	1		 
		1UD241-B	6		
		1UD241-G	6		
		1UD241-N	6		
		1UD241-R	6		
		1UD241-V	6		



Model	OEM Part	Our Equivalent	Pk	FISCHER & PORTER
51-301D, 51-305.	LA125451 LA125452 LA125453	1MT241-B 1MT242-R 1MT243-G	3 3 3	
51-301C.		4N38X4 TIPS 2N500-B 2N500-G 2N500-R	1 4 4 4	
<p>THE ABOVE RECORDER CAN BE CONVERTED TO USE OUR 1MT24 FTD PEN SERIES BY USING THE PARTS LISTED BELOW.</p>				
	CH1 CARRIAGE CH2 CARRIAGE CH3 CARRIAGE	9K241 9K242 9K243	1 1 1	
	LA125451	1MT241-B	3	
	LA125452	1MT242-R	3	
	LA125453	1MT243-G	3	
51-1102, 51-1310, 51-3121, 51-1321 S1-1340	141B054U01 141B054U02 141B054U03 141B054U04 141B054U05 141B054U06	2N300-R 2N300-B 2N300-G 2N300-N 2N300-M 2N300-V	4 4 4 4 4 4	
	42046D721B	2N300-B	1	

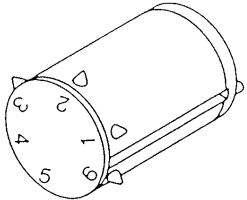
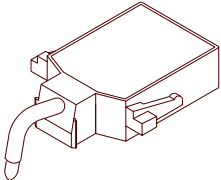
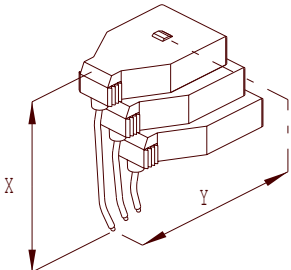
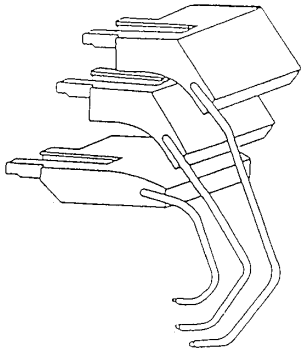


Model	OEM Part	Our Equivalent	Pk	FISCHER & PORTER
51-2202, 51-4202.	141B066U01 141B067U01 141B068U01 141B081U02	2R500-R 2R500-B 2R500-G 2R500-N	4 4 4 4	
51-1231.	141B083U01 141B083U04 141B083U02 141B083U05 141B083U03 141B083U06	2S411-R 2S411-B 2S411-G	4 4 4	
51-1202, 51-1212, 51-3202.	141B08401 141B08402 141B08403 141B08405 141B08406 141B08407	2S211-R 2S211-B 2S211-G 2S211-N 2S211-V 2S211-M	4 4 4 4 4 4	
		2ZB02-B 2ZB02-G 2ZB02-R	4 4 4	

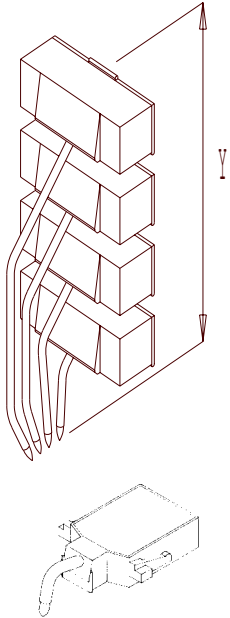


Model	OEM Part	Our Equivalent	Pk	FISCHER & PORTER
CIRCLE CHART RECORDERS 51-1102, WR02, 1390				
CHANNEL 1	141D001U17	1UD231-N	5	
	141D001U21	1UD231-R	5	
	141D001U25	1UD231-B	5	
	141D001U29	1UD231-G	5	
CHANNEL 2	141D001U18	1UD232-N	5	
	141D001U22	1UD232-R	5	
	141D001U26	1UD232-B	5	
	141D001U30	1UD232-G	5	
CHANNEL 3	141D001U19	1UD233-N	5	
	141D001U23	1UD233-R	5	
	141D001U27	1UD233-B	5	
	141D001U31	1UD233-G	5	
CHANNEL 4	141D001U20	1UD234-N	5	
	141D001U24	1UD234-R	5	
	141D001U28	1UD234-B	5	
	141D001U32	1UD234-G	5	
FOR HOLDER TYPE				
CHANNEL 1	141D001U17	1UD241-N	6	
	141D001U21	1UD241-R	6	
	141D001U25	1UD241-B	6	
	141D001U29	1UD241-G	6	
CHANNEL 2	141D001U18	1UD242-N	6	
	141D001U22	1UD242-R	6	
	141D001U26	1UD242-B	6	
	141D001U30	1UD242-G	6	
CHANNEL 3	141D001U19	1UD243-N	6	
	141D001U23	1UD243-R	6	
	141D001U27	1UD243-B	6	
	141D001U31	1UD243-G	6	
CHANNEL 4	141D001U20	1UD244-N	6	
	141D001U24	1UD244-R	6	
	141D001U28	1UD244-B	6	
	141D001U32	1UD244-G	6	
FOR HOLDER TYPE.				


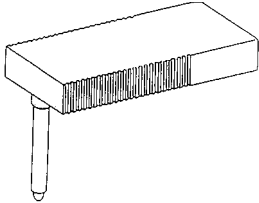
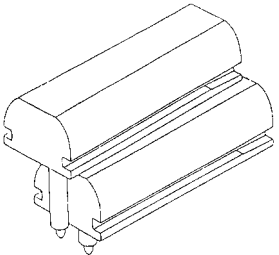
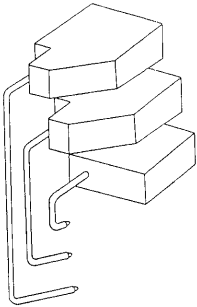


Model	OEM Part	Our Equivalent	Pk	FISCHER & PORTER
2346	141D00#U01	6PW01	1	
	141D002U01	1MT91A-V	1	
	IF141D003U01	1MT911-B	1	
	IF141D004U01	1MT912-R	1	
	IF141D005U01	1MT913-G	1	
ELECTRIC RECORDER 51-1340, 51-1300 SERIES. 3 CH RECORDER	410D052U02	1MT582-R	3	
	410D053U02	1MT581-B	3	
	410D054U02	1MT583-G	3	
2 CH RECORDER	410D052U02	1MT582-R	3	
	410D053U02	1MT581-B	3	
	378B049U01	9ROLPTE	1	

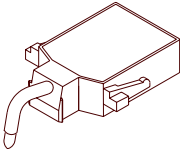
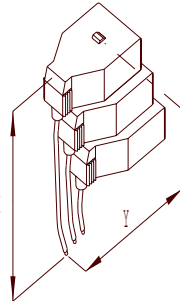
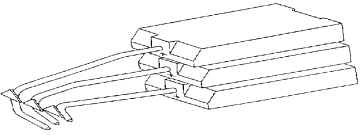


Model	OEM Part	Our Equivalent	Pk	FISCHER & PORTER
6250M	LA244371	1MX171-G	1	
	LA244372	1MX172-R	1	
	LA244373	1MX173-B	1	
	LA244374	1MX174-N	1	
	LA244770	1MT91A-V	1	



Model	OEM Part	Our Equivalent	Pk	FISHER CONTROLS
570, 590 SINGLE CHANNEL.		1CY5-#	4	
		1CY5FL-#	4	
		1CY5P3-#	4	
		1CY5P5-#	4	
		1CY5P7-#	4	
<div style="border: 1px solid black; padding: 5px; width: fit-content; margin: 0 auto;"> <p>THE CY5 FTD RANGE IS AVAILABLE IN A RANGE OF COLOURS, EITHER A,B,C,G,M,N,O,R,V OR Y.</p> </div>				
570, 590 TWO CHANNEL RECORDER.		1FD29C20-#	5	
		1FD29C32-#	5	
<div style="border: 1px solid black; padding: 5px; width: fit-content; margin: 0 auto;"> <p>THE FD29 FTD SERIES IS AVAILABLE IN A RANGE OF COLOURS, EITHER B,G,M,N,R OR V.</p> </div>				
550	385691-01-7	1SD3103-R	5	
	385691-02-5	1SD3006-B	5	
RD41, RD221, RD222, RD1111.	14A2890X022	1MT551-R	1	
	14A2892X022	1MT552-B	1	
	14A2891X022	1MT553-G	1	



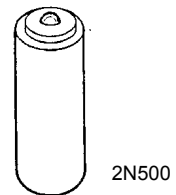
Model	OEM Part	Our Equivalent	Pk	FISHER CONTROLS
RD206	10A8457X012	1MT582-R	3	
	10A8458X012	1MT581-B	3	
DPR SERIES	LA243770	1MT91A-V	1	
	LA243771	1MT911-B	1	
	LA243772	1MT912-R	1	
	LA243773	1MT913-G	1	
<p>RECORDERS 27000 AND 18000 CAN BE CONVERTED TO USE OUR 1MT32 FTD SERIES PENS BY USING THE PARTS LISTED BELOW, EACH RECORDER NEEDS ONE BRACKET WHICH IS ALSO LISTED.</p>				
	HOLDER 292-740-01	9K321 1MT321-G	1 1	
	HOLDER 292-740-02	9K322 1MT322-R	1 1	
	HOLDER 292-740-03	9K323 1MT323-B	1 1	
	BRACKET	9K324	1	




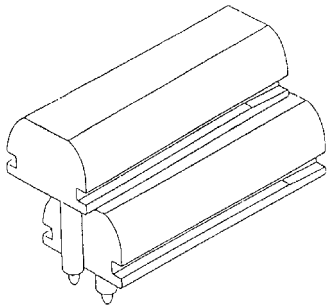
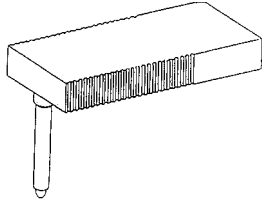
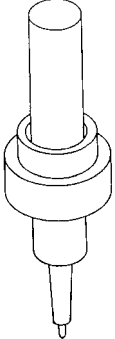
Model	OEM Part	Our Equivalent	Pk	FISHER CONTROLS
<div style="border: 1px solid black; padding: 5px; width: fit-content; margin: 0 auto;"> THE FOLLOWING PARTS ARE OLD ELECTROFLO, NOW SERVICED BY FISHER CONTROLS. </div>				
BUCKET PEN - SHORT.	1000-131	9FR01	1	
MIDDLE.	1000-132	9FR02	1	
LONG.	1000-134	9FR03	1	
CONE PEN-				
	200-85	9FR04	1	
	224-31	9FR05	1	
225-0, 226-0 (IF SCALE FITTED).	225-21	9FR06	1	
REAR PEN.	225-8	9FR07	1	
PEN TIP- OFFSET.				
STRAIGHT.	350-133	9FR08	1	
	350-57	9FR09	1	
CONE PEN- 225-0, 226-0, 227-0 WITHOUT SCALE.	352-223	9FR10	1	
BUCKET PEN- SHORT	SD 361-203	9FR11	1	
SHORT	SD 361-463	9FR12	1	
MIDDLE	SD 361-206	9FR13	1	
	SD 361-462	9FR14	1	
LONG	SD 361-577	9FR15	1	



Model	OEM Part	Our Equivalent	Pk	FISHER CONTROLS
<div style="border: 1px solid black; padding: 5px; width: fit-content; margin: 0 auto;"> THE FOLLOWING PARTS ARE FROM A VARIETY OF BARTON, BRISTOL, DEVAR AND ELLIOTT RECORDERS. </div>				
	197-296	9FR16	1	
DEVAR- SHORT	222005-1	9FR17	1	
MIDDLE	222005-2	9FR18	1	
LONG	222005-3	9FR19	1	
BARTON- 202UK, 252UK, 344UK BUCKET PENS-	32914	9BR01	1	
	32915	9BR02	1	
	32916	9BR03	1	
ELLIOTT- 3 3/4" & 6" COMBINED RECORDER.	5B2236	9FR20	1	
6" COMBINED RECORDER.	5B2236/1	9FR21	1	
PEN & MARKER.	677 TR0074	9FR22	1	
ELLIOTT- 500, 530. No.1 PEN	6B10022/1	9FR26	1	
No.2 PEN	6B10022/2	9FR27	1	
No.3 PEN	6B10022/3	9FR28	1	
No.4 PEN	6B10022/4	9FR29	1	
CONE PEN	902-9	9FR30	1	
GAS ANALYSIS RECORDER	D4/1051	9FR31	1	
	D4/1052	9FR32	1	
	D4/1055	2N500-#	4	
<div style="border: 1px solid black; padding: 5px; width: fit-content; margin: 0 auto;"> THE N500'S ARE AVAILABLE IN EITHER B,G,N,R,V </div>				
	E117	9FR34	1	
PRIMING BULB	E123249	7RB	1	
STYLUS	E608136	9FR35	1	
SYPHON PEN	TR0063-001	9EV01	1	
.	TR0063-002	9EV02	1	
PEN & MARKER.	SB380	9TR0188	1	





Model	OEM Part	Our Equivalent	Pk	FISHER SCIENTIFIC
13-939-10, 13-939-11, 13-939-12, 13-939-13, 13-939-14, 13-939-15, 13-939-20, 13-939-21, 13-939-22, 13-939-23, 13-939-24.	13-939-81 13-939-82 13-939-83 13-939-80	1CY51-N 1CY51-R 1CY51-B 1CY51-MIX01 (1 x N,R,B,G)	4 4 4 4	
13-939-225A, 13-939-225B, 13-939-225C, 13-939-225D, 13-939-225E, 13-939-225F, 13-939-225G, 13-939-225H MICROSCRIBE RECORDERS.	13-939-227-A 13-939-227-B 13-939-227-C 13-939-227-D 13-939-227-E 13-939-227-F 13-939-227-G 13-939-227-H	1SD3005-R 1SD3005-B 1SD3005-N 1SD3005-G 1SD3104-R 1SD3104-B 1SD3104-N 1SD3104-G	6 6 6 6 6 6 6 6	
13-939-250, 13-939-251.	13-939-252A	1FD29C09-B	5	
13-939-96, 13-939-782, 13-939-783, 13-939-785, 13-939-787 PLOTTERS.	13-940-792 13-940-793 13-940-794 13-940-798	1CY10P5-R 1CY10P5-B 1CY10P5-G 1CY10P5-N	5 5 5 5	
<div style="border: 1px solid black; padding: 5px; display: inline-block;"> <p>ALSO WE CAN SUPPLY THE CY10 FTD PEN RANGE IN EITHER P3, P7 OR RB TIPS.</p> </div>				

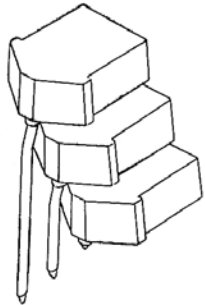


CROWN GRAPHIC

MARKING SYSTEMS CATALOGUE

JANUARY 2008

PAGE F07.02

Model	OEM Part	Our Equivalent	Pk	FISHER SCIENTIFIC
13-939-85A & B, 86A & B, 87A & B, 89A & B, 90A & B, 91A,G & E, 94A & B, 95, 109, 111, 112, 191, 192, 193, 202, 203, 204, 206.	13-939-101A	1MT081-R	1	
	13-939-101B	1MT082-B	1	
	13-939-101C	1MT083-G	1	



CROWN GRAPHIC

MARKING SYSTEMS CATALOGUE

JANUARY 2008

PAGE F08.01

Model	OEM Part	Our Equivalent	Pk	FLWSHEET PANELS
METAL PEN- SHORT STEEL TIP	OBSA2/312	9FP01	1	
FIBRE TIP	OBSA2/312F	9FP02	1	
METAL PEN- MIDDLE STEEL TIP	OBSA/625	9FP03	1	
FIBRE TIP	OBSA/625F	9FP04	1	
METAL PEN- LONG STEEL TIP	OBSA/938	9FP05	1	
FIBRE TIP	OBSA/938F	9FP06	1	
FIBRE TIP FOR THE FIBRE TIP PENS.		4N38X4	1	

GRAPHIC CONTROLS LTD, ST PETERS QUAY, TOTNES, DEVON, TQ9 5XH, UK

TEL : +44 (0)1803 860100 FAX : +44 (0)1803 863838 EMAIL : sales@crowng.com WEB : http://www.crowng.com

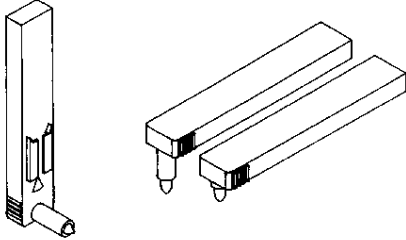


CROWN GRAPHIC

MARKING SYSTEMS CATALOGUE

JANUARY 2008

PAGE F09.01

Model	OEM Part	Our Equivalent	Pk	FOURNIER-EUVARD
		1UD201-B	6	
		1UD201-G	6	
		1UD201-N	6	
		1UD201-R	6	
		1UD201-V	6	
		1UD202-B	6	
		1UD202-G	6	
		1UD202-N	6	
		1UD202-R	6	
		1UD202-V	6	

GRAPHIC CONTROLS LTD, ST PETERS QUAY, TOTNES, DEVON, TQ9 5XH, UK

TEL : +44 (0)1803 860100 FAX : +44 (0)1803 863838 EMAIL : sales@crowng.com WEB : http://www.crowng.com



Model	OEM Part	Our Equivalent	Pk	FOXBORO
39B	<div style="border: 1px solid black; padding: 5px; width: fit-content; margin: 0 auto;"> REFER TO UNIVERSAL SECTION IN FRONT OF THIS CATALOGUE FOR GAS MEASUREMENT PENS. </div>			
127S, 227P, 227S, E27R, E27, 760RNA, 760RNB.	G0114SV G0114SS G0114ST G0114SR G0114SU G0114TA G0114SW G0114SY G0114SX G0114SZ G0114TF G0114TD G0114TE G0114TC G0114TB	1FD171-N 1FD171-R 1FD171-B 1FD171-G 1FD171-V 1FD172-N 1FD172-R 1FD172-B 1FD172-G 1FD172-V 1FD173-N 1FD173-R 1FD173-B 1FD173-G 1FD173-V	3 3 3 3 3 3 3 3 3 3 3 3 3 3 3	
761R	L0120NS L0120NT L0120NR L0120NQ	1MT951-R 1MT952-G 1MT953-B 1MT95A-N	3 3 3 5	



Model	OEM Part	Our Equivalent	Pk	FOXBORO
<p>FOXBORO STRIP CHART RECORDERS CAN BE CONVERTED FROM CAPILLARY INK SYSTEMS TO FTD PENS. BELOW ARE DETAILS OF THE CONVERSION ARMS, PENS AND PEN ARM STOPS.</p>				
<p>INSTRUMENTS WITH "HARP TYPE" PEN ARMS.</p>				
<p>47 TELEMETER, 64, 53/54A, B, C, 120A, 6400H, A & B.</p>	D0129ZN	1MT371-G (INNER)	3	
	D0129ZP	1MT372-R (SECOND)	3	
	D0129ZQ	1MT373-B (THIRD)	3	
	D0129	1MT374-V (OUTER)	3	
	D0129ZR	9K37A	1	
	D0129ZS	9K37S	2	
<p>WHERE THE RECORDER/CONTROLLER CANNOT BE WITHDRAWN FROM IT'S CASE, USE THE FOLLOWING. IF THE MX09 FTD PEN SERIES IS TO BE USED IT CAN ONLY BE USED IF THE SPECIAL PEN ARM IS FITTED.</p>				
		1MX091-G	3	
		1MX092-R	3	
		1MX093-B	3	

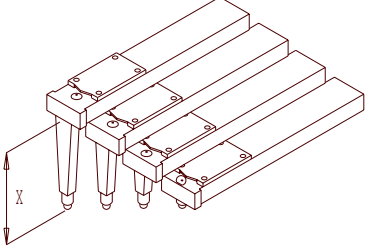
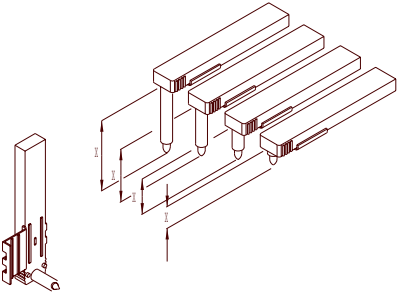
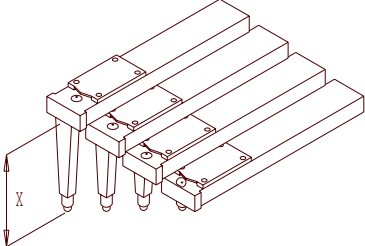


Model	OEM Part	Our Equivalent	Pk	FOXBORO
INSTRUMENTS WITH "RECTANGULAR TYPE" PEN ARMS				
120B, C, D, 124FE, 220A, B, C, 53/54 STYLE E, 6400 A+1, B+1, D, E20S.	D0129ZT	1MT381-G (INNER)	3	
	D0129ZU	1MT382-R (SECOND)	3	
	D0129ZV	1MT383-B (THIRD)	3	
	D0129ZW	1MT384-V (OUTER)	3	
	D0129ZX	9K38A	1	
	D0129ZZ	9K38S	1	
<p>WHERE CUSTOMERS ARE STILL USING CAPILLARY INK SYSTEM RECORDERS AND WISH CONVERT TO FTD PENS PLEASE CONSULT OUR TECHNICAL DEPT. FOR HELP AND ADVICE.</p>				
M/40M, M/40P, 12RD, 12RM.	0012620	9A007	1	
	0012621	9A008	1	
	0012622	9A009	1	
	0015271	9A014	1	
	<p>THE ABOVE PENS ARE THE ORIGINAL METAL BUCKET PENS, IF FTD PENS ARE REQUIRED SEE UD40/44.</p>			

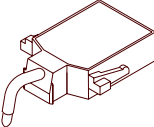
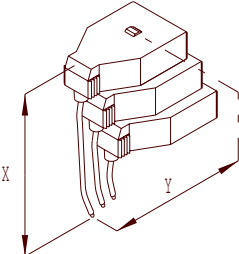
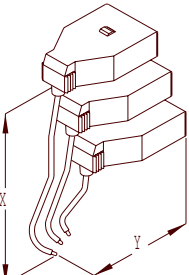
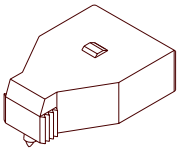


Model	OEM Part	Our Equivalent	Pk	FOXBORO	
<p>OUR UD40/44 FTD PEN RANGE REQUIRES NO CONVERSION ARM AS THEY FIT DIRECTLY ONTO THE OEM PEN ARM. THE No.2 CHANNEL IS THE ARCHING PEN AND SINGLE CHANNEL RECORDERS REQUIRE 1UD402/1UD442 PENS.</p>					
<p>10" & 12" RECORDERS. M/40M, M/40P, 12RD, 12RM.</p>	<p>500FT PENS.</p>				
	C0149NB	1UD401-N	6		
	C0149NM	1UD401-G	6		
	C0149NP	1UD401-B	6		
	C0149PV	1UD401-V	6		
	C0149TZ	1UD401-R	6		
	C0149NA	1UD402-N	6		
	C0149NN	1UD402-G	6		
	C0149NQ	1UD402-B	6		
	C0149PW	1UD402-R	6		
	C0149TD	1UD402-V	6		
	C0149NL	1UD403-V	6		
	C0149NR	1UD403-B	6		
	C0149NS	1UD403-N	6		
	C0149PT	1UD403-G	6		
	C0149TA	1UD403-R	6		
	C0149AA	1UD404-N	6		
	C0149PU	1UD404-B	6		
	C0149TB	1UD404-R	6		
	C0149TC	1UD404-G	6		
	C0149TF	1UD404-V	6		
	<p>1200FT PENS.</p>				
	L0121CJ	1UD441-R	6		
	L0121CK	1UD441-G	6		
	L0121CL	1UD441-B	6		
	L0121CM	1UD441-V	6		
	L0121CN	1UD441-N	6		
	L0121CH	1UD442-R	6		
	L0121CP	1UD442-G	6		
	L0121CO	1UD442-B	6		
L0121CR	1UD442-V	6			
L0121CS	1UD442-N	6			



Model	OEM Part	Our Equivalent	Pk	FOXBORO
	L0121CT L0121CU L0121CV L0121CW L0121CX	1UD443-R 1UD443-G 1UD443-B 1UD443-V 1UD443-N	6 6 6 6 6	
	L0121CY L0121CZ L0121DA L0121DB L0121DC	1UD444-R 1UD444-G 1UD444-B 1UD444-V 1UD444-N	6 6 6 6 6	
<p>CIRCLE CHART RECORDERS WHICH HAVE BEEN CONVERTED TO TAKE FTD PENS USING ARMS DIFFERENT TO THAT SUPPLIED BY THE OEM NEED TO USE OUR UD24 FTD SERIES PENS , SEE BELOW FOR DETAILS.</p>				
		1UD241-# 1UD242-# 1UD243-# 1UD244-#	6 6 6 6	
<p>UD24 FTD PENS ARE AVAILABLE IN A VARIETY OF COLOURS, EITHER B,G, N, R OR V.</p>				
740R	L0122AR L0122BP L0122CG L0122DB	1UD441-R 1UD442-V 1UD443-G 1UD444-B	2 2 2 2	



Model	OEM Part	Our Equivalent	Pk	FOXBORO	
MODEL 762	L0122KF	1MT91A-V	1		
	L0122JU	1MT911-B	1		
	L0122JW	1MT912-R	1		
	L0122JY	1MT913-G	1		
	L0122JV	1MT914-B	1		
	L0122JX	1MT915-R	1		
	L0122J	1MT916-G	1		
	342D	L0122JZ	1MT910-N	1	



Model	OEM Part	Our Equivalent	Pk	FOXBORO
	A0115AZ	2R852-MR	4	
	A0115BC	2R852-MV	4	
	C0137FK	2R852-GV	4	
	C0137YK (S/DRY)	2R852-GV03	4	
	F0104BR	2R852-RB	4	
	F0104CA C0137FX (S/DRY)	2R852-RB03	4	
	C0137KX C0137YE (S/DRY)	2R850-R 2R850-R03	4 4	
	C0137KZ C0137YS (S/DRY)	2R850-G 2R850-G03	4 4	
	F0104AA F0104BC (S/DRY)	2N300-B 2N300-B03	4 4	
	F0100BA F0100ZL F0100ZR F0104BK F0104BA (S/DRY)	2N300-G 2N300-G 2N300-G 2N300-G 2N300-G03	4 4 4 4 4	
	F0105CK	2N300-M	4	
	F0105BZ	2N300-N	4	
	C0132YA F0100AX F0100ZC F0104BF F0104AX (S/DRY)	2N300-R 2N300-R 2N300-R 2N300-R 2N300-R03	4 4 4 4 4	
	F0105BY	2N300-V	4	



Model	OEM Part	Our Equivalent	Pk	FOXBORO
	C0131LH C0131LM F0100BT F0100EP	3OZ1-B	1 1 1 1	
	C0131LA C0131LF F0100EN	3OZ1-G	1 1 1	
	C0131LK	3OZ1-N	1	
	C0131LB C0131LG F0100EL F0100TZ	3OZ1-R	1 1 1 1	
	C0131LJ	3OZ1-V	1	
	F0109EG	3OZ1EMPTY	1	
<div style="border: 1px solid black; padding: 5px; width: fit-content; margin: 0 auto;"> <p>THIS IS THE PART NUMBER FOR THE FOXBORO ORIGINAL. OUR BOTTLE IS SLIGHTLY DIFFERENT. PLEASE ENQUIRE BEFORE PLACING AN ORDER.</p> </div>				
	F0100FE F0100SW (Q/DRY)	3OZ16-B 3OZ16-B02	1 1	
	F0100FF F0100SL	3OZ16-G	1	
	F0100CN	3OZ16-M	1	
	F0100SR	3OZ16-N	1	
	F0100FL F0100SF (Q/DRY)	3OZ16-R 3OZ16-R02	1 1	
	F0100SN	3OZ16-V	1	

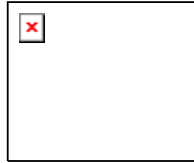


CROWN GRAPHIC

MARKING SYSTEMS CATALOGUE

JANUARY 2008

PAGE F11.01

Model	OEM Part	Our Equivalent	Pk	Dr. FREIDRICHS
9500 HYDROGRAPH 9600 THERMO- GRAPH. 9601 FERNTHERMO- GRAPH.		1SD12-B 1SD12-G 1SD12-N 1SD12-R 1SD12-V	6 6 6 6 6	
9700 THERMO- HYDROGRAPH. 9710 THERMO- HYGRORECORDER. 9800 BAROGRAPH.		1SD7-B 1SD7-G 1SD7-N 1SD7-R 1SD7-V	3 3 3 3 3	