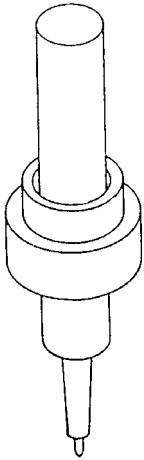
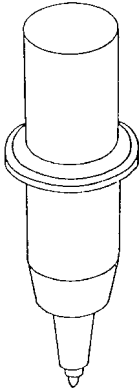




Model	OEM Part	Our Equivalent	Pk	IBM
XY/749, XY/750.	4754827	1CY10P3-R	3	
	4754828	1CY10P3-B	3	
	4754829	1CY10P3-N	3	
	4754830	1CY10P3-G	3	
	4754831	1CY10P3-Y	3	
	4754832	1CY10P3-M	3	
	4754833	1CY10P3-A	3	
	4754834	1CY10P3-O	3	
	4754902	1CY10P3-C	3	
		1CY10P3-V	3	
	4754892	1CY10P7-R	3	
	4754893	1CY10P7-B	3	
	4754894	1CY10P7-N	3	
	4754895	1CY10P7-G	3	
	4754896	1CY10P7-Y	3	
	4754897	1CY10P7-M	3	
	4754898	1CY10P7-A	3	
	4754899	1CY10P7-O	3	
	4754901	1CY10P7-C	3	
		1CY10P7-V	3	
	4754911	1CY10P3MIX01 (1x RBGN)	4	
	4754912	1CY10P7MIX01 (1x RBGN)	4	
	4754913	1CY10P3MIX05 RNBGOACYMV	10	
	4754914	1CY10P7MIX05 RNBGOACYMV	10	

WE CAN ALSO SUPPLY THE CY10 PEN RANGE WITH EITHER A P5 OR A RB TIP IN THE SAME COLOURS AS LISTED ABOVE.



Model	OEM Part	Our Equivalent	Pk	IBM
6180, 6184, 6186, 7371, 7372, 7374, 7375, 4792, 6104.	A6092-715 5470267	1CY20P3-R	5	
	A6092-716 5470266	1CY20P3-B	5	
	A6092-717 5470265	1CY20P3-G	5	
	A6092-718 5470264	1CY20P3-N	5	
	A6092-719	1CY20P3MIX01 (1x RBGN)	4	
	5470268	1CY20P3MIX10 (1x NRBGY)	5	
	5470269	1CY20P3MIX11 (1x NGCBV)	5	
	5470270	1CY20P3MIX09 (1x MYORA)	5	
	A6092-720 5470271	1CY20P7-N	5	
	A6092-721	1CY20P7-B	5	
	A6092-722	1CY20P7-R	5	
	A6092-723	1CY20P7-G	5	
	5470275	1CY20P7MIX10 (1x NRBGY)	5	
	5470276	1CY20P7MIX11 (1x NGCBV)	5	
	5470277	1CY20P7MIX09 (1x MYORA)	5	


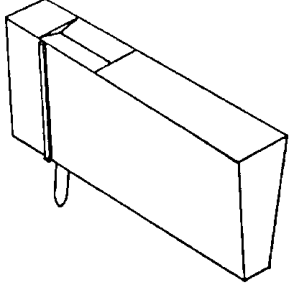


**CROWN GRAPHIC**

# MARKING SYSTEMS CATALOGUE

JANUARY 2008

PAGE I02.01

Model	OEM Part	Our Equivalent	Pk	IFELEC
2025C RECORDER, M100, S200, IF3802, IF3804.		1CY1-B02 1CY1-G02 1CY1-N02 1CY1-R02 1CY1-V02	3 3 3 3 3	
	526.276.A00 526.277.A00	1FD21-N	10	
	526.276.B00 526.277.B00	1FD21-R	10	
	526.276.C00 526.277.C00	1FD21-B	10	
	526.276.D00 526.277.D00	1FD21-G	10	

GRAPHIC CONTROLS LTD, ST PETERS QUAY, TOTNES, DEVON, TQ9 5XH, UK

TEL : +44 (0)1803 860100 FAX : +44 (0)1803 863838 EMAIL : sales@crowng.com WEB : http://www.crowng.com

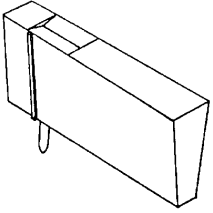



**CROWN GRAPHIC**

# MARKING SYSTEMS CATALOGUE

JANUARY 2008

PAGE I03.01

Model	OEM Part	Our Equivalent	Pk	INSTRON
	53-1-2000 53-1-2001 53-1-2002	1FD21-R 1FD21-B 1FD21-G	10 10 10	
		1CY7-B 1CY7-G 1CY7-N 1CY7-R 1CY7-V	6 6 6 6 6	

GRAPHIC CONTROLS LTD, ST PETERS QUAY, TOTNES, DEVON, TQ9 5XH, UK

TEL : +44 (0)1803 860100 FAX : +44 (0)1803 863838 EMAIL : sales@crowng.com WEB : <http://www.crowng.com>

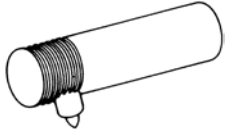
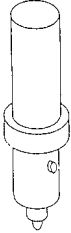
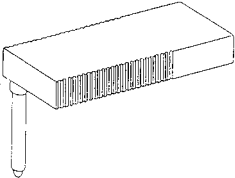


**CROWN GRAPHIC**

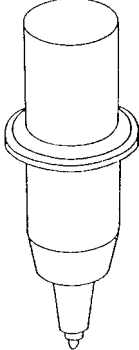
# MARKING SYSTEMS CATALOGUE

JANUARY 2008

PAGE I04.01

Model	OEM Part	Our Equivalent	Pk	INSTRUMENT SPEC
613.	250-0500-02	1PB3-R03	5	
PORTABLE MONITER / ANALYSER.	250-0800-05	1CY13FL-R	5	
UA5, 614.	250-0400-02	1FD29L20-R	5	



Model	OEM Part	Our Equivalent	Pk	IOLINE CORP
LP3700, LP4000.		1CY20P3-# 1CY20P5-# 1CY20P7-# 1CY20RB-#	5 5 5 5	
<p>WE CAN SUPPLY OUR CY20 PEN RANGE IN A VARIETY OF COLOURS, EITHER A,B,C,G,M,N,O,R,V OR Y.</p>				

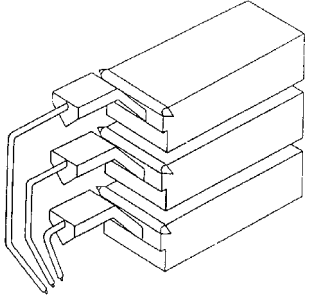
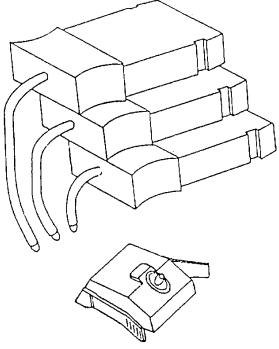


**CROWN GRAPHIC**

# MARKING SYSTEMS CATALOGUE

JANUARY 2008

PAGE I06.01

Model	OEM Part	Our Equivalent	Pk	I.P. & T.
MULTITREND 700 SERIES, POTENTIOMETRIC RECORDERS 771, 772, 773, 780, 781, 782, 783, 790, 791, 792, 793, 797.		1MT091-R 1MT092-B 1MT093-G	3 3 3	
MICROTREND MODEL 430, 431, 432, 433.		1MT441-R 1MT442-B 1MT443-G  1MT44P3-V	3 3 3  3	

GRAPHIC CONTROLS LTD, ST PETERS QUAY, TOTNES, DEVON, TQ9 5XH, UK

TEL : +44 (0)1803 860100 FAX : +44 (0)1803 863838 EMAIL : sales@crowng.com WEB : http://www.crowng.com

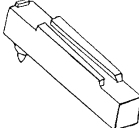
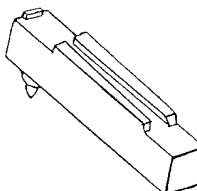


**CROWN GRAPHIC**

# MARKING SYSTEMS CATALOGUE

JANUARY 2008

PAGE I07.01

Model	OEM Part	Our Equivalent	Pk	ISUZI
3-1075 BAROGRAPH 3-1095 THERMO- GRAPH. 3-1115 HYGRO- GRAPH.	JS 03	1SD7-B 1SD7-G 1SD7-N 1SD7-R 1SD7-V	3 3 3 3 3	
3-1125 THERMO- HYGROGRAPH 3-1135 THERMO- HYGRO-GRAPH 3-1155 REMOTE THERMOGRAPH.	3-1651-03 3-1651-05	1SD7-R 1SD7-B	3 3	
3-1122 THERMO- HYDROGRAPH.	JS12-00	1SD7-V	3	