

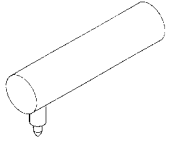


CROWN GRAPHIC

MARKING SYSTEMS CATALOGUE

JANUARY 2008

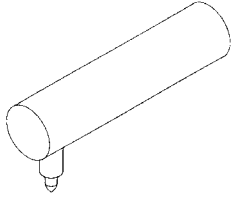
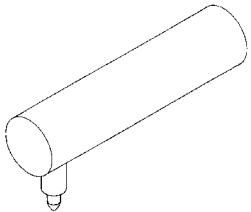
PAGE M01.01

| Model | OEM Part | Our Equivalent | Pk | MAIHAK |
|--|----------|--|----------------------------|---|
| E010, E020, E030, E040, E090, E420, E460, E480, E490, E530. | | 1PB7-B05 1PB7-G05 1PB7-M05 1PB7-N05 1PB7-R05 1PB7-V05 | 6 6 6 6 6 6 |  |

GRAPHIC CONTROLS LTD, ST PETERS QUAY, TOTNES, DEVON, TQ9 5XH, UK

TEL : +44 (0)1803 860100 FAX : +44 (0)1803 863838 EMAIL : sales@crowng.com WEB : http://www.crowng.com



| Model | OEM Part | Our Equivalent | Pk | MANGELS |
|---------------|----------|--|----------------------------|--|
| SR-DR POINTAC | | 1PB715.5MM-B 1PB715.5MM-G 1PB715.5MM-M 1PB715.5MM-N 1PB715.5MM-R 1PB715.5MM-V | 6 6 6 6 6 6 |  |
| | | 1PB7-B03 1PB7-G03 1PB7-M03 1PB7-N03 1PB7-R03 1PB7-V03 | 6 6 6 6 6 6 |  |



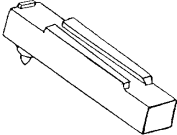
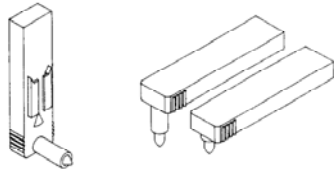
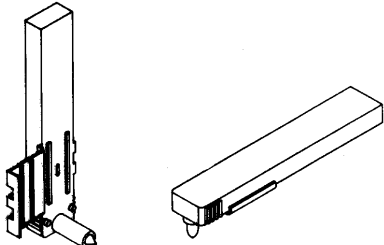


CROWN GRAPHIC

MARKING SYSTEMS CATALOGUE

JANUARY 2008

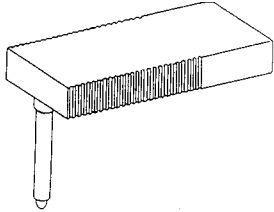
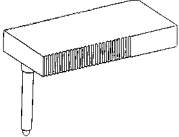
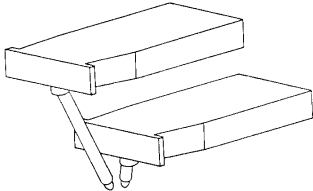
PAGE M03.01

| Model | OEM Part | Our Equivalent | Pk | MARKSON |
|--|--------------------------------------|--|------------------|---|
| 5746 | A-5756 A-5754 A-5753 A-5755 | 1PB3-B03 1PB3-R03 1PB3-N03 1PB3-G03 | 5 5 5 5 | |
| 450 SERIES, 31450, 31453. | Z-265866 Z-265867 | 1CY4-N 1CY4-R | 5 5 |  |
| 31452, 31454. | Z-265866 Z-265867 | 1CY4-N 1CY4-R 1CY18-R | 5 5 5 |  |
| 15791, 15794, 15786, 29015, 29016. | A-15729 A-30495 | 1SD7-B 1SD7-R | 3 3 |  |
| 28060, 28061, 28062, 29027, 29029, 29035, 29037, 29038, 29039, 29102, 45321, 45322, 45325, 45326, 45327, 45328. | A-34028 A-34029 | 1UD211-R 1UD212-B | 6 6 |  |
| 44110 | | 1UD241-N | 6 |  |

GRAPHIC CONTROLS LTD, ST PETERS QUAY, TOTNES, DEVON, TQ9 5XH, UK

TEL : +44 (0)1803 860100 FAX : +44 (0)1803 863838 EMAIL : sales@crowng.com WEB : http://www.crowng.com



| Model | OEM Part | Our Equivalent | Pk | MARKSON |
|---|--|--|--|---|
| 5763, 13270, 13271, 5740, 18070, 18072, 34330, 34331. | A-13276 A-13274 A-13273 A-13275 | 1FD29C09-B 1FD29C09-R 1FD29C09-N 1FD29C09-G | 5 5 5 5 |  |
| 5741, 18073, 34332 | A-13276 A-13274 A-13273 A-13275 A-5751 A-5744 A-5745 A-5752 | 1FD29C09-B 1FD29C09-R 1FD29C09-N 1FD29C09-G 1FD29C31-B 1FD29C31-R 1FD29C31-N 1FD29C31-G | 5 5 5 5 5 5 5 5 | |
| 5742 | A-13276 A-13274 A-13273 A-13275 A-34336 | 1FD29C09-B 1FD29C09-R 1FD29C09-N 1FD29C09-G 1FD29C27-N 1FD29C38-B | 5 5 5 5 5 5 |  |
| 100, 1002, 2000, 2002. | Z-265857 Z-265858 Z-265859 Z-265850 Z-265861 Z-265862 Z-265863 Z-265264 | 1MT681-N03 1MT681-R03 1MT681-G03 1MT681-B03 1MT682-N03 1MT682-R03 1MT682-G03 1MT682-B03 | 1 1 1 1 1 1 1 1 |  |

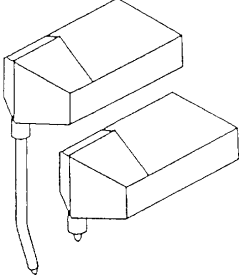
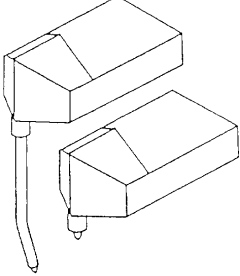


CROWN GRAPHIC

MARKING SYSTEMS CATALOGUE

JANUARY 2008

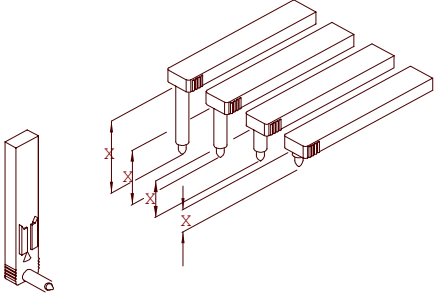

PAGE M03.03

| Model | OEM Part | Our Equivalent | Pk | MARKSON |
|--|--|--|----------------------|--|
| X276009, X276010 FLATBED RECORDERS. CHANNEL 1 | Z-151894 Z-151902 Z-395988 Z-395996 | 1MT272-B 1MT272-N 1MT272-R 1MT272-G | 5 5 5 5 |  |
| CHANNEL 2 | Z-396002 | 1MT271-R 1MT271-N 1MT271-B 1MT271-G | 5 5 5 5 |  |

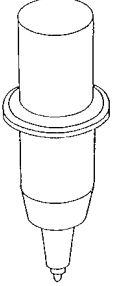
GRAPHIC CONTROLS LTD, ST PETERS QUAY, TOTNES, DEVON, TQ9 5XH, UK

TEL : +44 (0)1803 860100 FAX : +44 (0)1803 863838 EMAIL : sales@crowng.com WEB : <http://www.crowng.com>



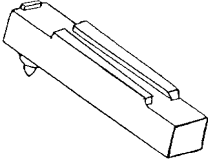

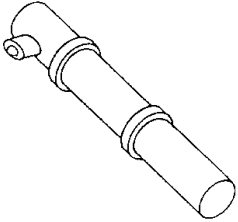
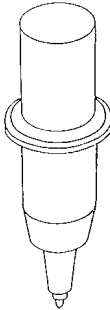
| Model | OEM Part | Our Equivalent | Pk | MASONILAN |
|---|--|--|------------------|--|
| 6000 | | 1UD201-# 1UD202-# 1UD203-# 1UD204-# | 6 6 6 6 |  |
| <p>WE CAN SUPPLY THE UD20 FTD PEN RANGE IN EITHER B,G,N,R OR V.</p> | | | | |
| | 974063-002-888 974063-003-888 974063-004-888 | 2N300-R 2N300-B 2N300-G | 4 4 4 |  |



| Model | OEM Part | Our Equivalent | Pk | MAX |
|-----------------|----------|--|------------------|---|
| NP-304, NP-406. | | 1CY20P3-# 1CY20P5-# 1CY20P7-# 1CY20RB-# | 5 5 5 5 |  |

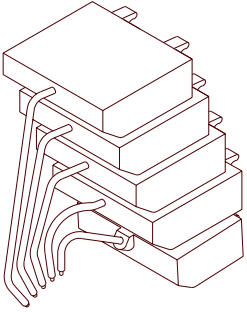
WE CAN SUPPLY THE CY20 RANGE IN A VARIETY OF COLOURS, EITHER A,B,C,G,M,N,O,R,V OR Y.



| Model | OEM Part | Our Equivalent | Pk | MAXANT |
|---------------------|----------|--|-----------------------|---|
| THERMOHYGRO-GRPAPH. | | 1SD7-B 1SD7-G 1SD7-N 1SD7-R 1SD7-V | 3 3 3 3 3 |  |
| | | 1CY7-B 1CY7-N 1CY7-R 1CY7-V | 6 6 6 6 |  |
| | | 1PB4-B 1PB4-G 1PB4-N 1PB4-R | 6 6 6 6 |  |
| NP304, NP406. | | 1CY20P3-# 1CY20P5-# 1CY20P7-# 1CY20RB-# | 5 5 5 5 |  |

WE CAN SUPPLY THE CY20 RANGE IN A VARIETY OF COLOURS, EITHER A,B,C,G,M,N,O,R,V OR Y.



| Model | OEM Part | Our Equivalent | Pk | MCC |
|-----------------|----------|----------------|----|---|
| MINITRACE 4000. | H20626 | 1MX101-N | 1 |  |
| | H20622 | 1MX102-R | 1 | |
| | H20623 | 1MX103-B | 1 | |
| | H20624 | 1MX104-V | 1 | |
| | H20625 | 1MX105-G | 1 | |




CROWN GRAPHIC

MARKING SYSTEMS CATALOGUE

JANUARY 2008

PAGE M08.01

| Model | OEM Part | Our Equivalent | Pk | MECHTRON |
|------------------------------|-----------|----------------|----|---|
| CIRCULAR CHART RECORDERS. | 106-01-19 | 2N300-N | 4 |  |
| | 106-01-22 | 2N300-R | 4 | |
| | 106-01-30 | 2N300-G | 4 | |

GRAPHIC CONTROLS LTD, ST PETERS QUAY, TOTNES, DEVON, TQ9 5XH, UK

TEL : +44 (0)1803 860100 FAX : +44 (0)1803 863838 EMAIL : sales@crowng.com WEB : <http://www.crowng.com>



| Model | OEM Part | Our Equivalent | Pk | MECILEC |
|---------------------------------|----------|---|----|---------|
| OPTRONIX 440, FLUTRONIX 740. | B 69 588 | 1MT691-R | 3 | |
| | B 69 589 | 1MT692-B | 3 | |
| | B 69 590 | 1MT693-V | 3 | |
| | B 69 591 | 1MT694-G | 3 | |
| TRACELEC | B 73 236 | 1MT661-R | 3 | |
| | B 73 237 | 1MT662-B | 3 | |
| | B 73 238 | 1MT663-V | 3 | |
| | B 73 239 | 1MT664-G | 3 | |
| SERIES O4, U15, U20. | | 1UD201-# | 6 | |
| | | 1UD202-# | 6 | |
| | | 1UD203-# | 6 | |
| | | 1UD204-# | 6 | |
| | | <div style="border: 1px solid black; padding: 5px; text-align: center;"> <p>WE CAN SUPPLY THE UD20 FTD RANGE IN EITHER B,G,N,R OR V.</p> </div> | | |
| E5200 | B 76 503 | 1MT991-R | 1 | |
| | B 76 504 | 1MT992-B | 1 | |



CROWN GRAPHIC

MARKING SYSTEMS CATALOGUE

JANUARY 2008

PAGE M09.02

| Model | OEM Part | Our Equivalent | Pk | MECILEC |
|---------------------------------------|----------|----------------|----|---------|
| SPEEDOMAX H & W (BEFORE APRIL '68) | B 70 605 | 1SD3005-R | 6 | |
| | B 70 606 | 1SD3005-B | 6 | |
| | B 70 607 | 1SD3005-N | 6 | |
| | | x | | |
| AFTER APRIL '68. (NOT ALL MODELS) | 054190 | 054190 | 5 | |
| | 054191 | 054191 | 5 | |
| | 054192 | 054192 | 5 | |



| Model | OEM Part | Our Equivalent | Pk | MERCURY | |
|---|---|----------------|----|---------|--|
| <p>THE FOLLOWING PENS WILL FIT DIRECTLY ONTO THE OEM ARM.</p> | | | | | |
| | 20-4273 | 1UD303-R | 6 | | |
| | 20-4274 | 1UD302-R | 6 | | |
| | 20-4275 | 1UD301-R | 6 | | |
| | 20-4276 | 1UD303-B | 6 | | |
| | 20-4277 | 1UD302-B | 6 | | |
| | 20-4278 | 1UD301-B | 6 | | |
| | 20-4279 | 1UD303-G | 6 | | |
| | 20-4280 | 1UD302-G | 6 | | |
| | 20-4281 | 1UD301-G | 6 | | |
| | 20-4282 | 1UD303-N | 6 | | |
| | 20-4283 | 1UD302-N | 6 | | |
| | 20-4284 | 1UD301-N | 6 | | |
| 700, 800, 900, 1200. | <p>REFER TO THE UNIVERSAL SECTION IN THE FRONT OF CATALOGUE FOR GAS MEASUREMENT PENS.</p> | | | | |
| <p>THE UD24 FTD PEN SERIES REQUIRES A CONVERSION ARM TO FITTED TO THE MACHINE BEFORE BEING ABLE TO USE THEM</p> | | | | | |
| | 20-7994 | 1UD244-R | 6 | | |
| | 20-7995 | 1UD243-B | 6 | | |
| | 20-7996 | 1UD242-B | 6 | | |
| | 20-8006 | 1UD244-N | 6 | | |
| | 20-8007 | 1UD244-B | 6 | | |
| | 20-8008 | 1UD244-G | 6 | | |
| | 20-8009 | 1UD242-N | 6 | | |
| | 20-8010 | 1UD242-R | 6 | | |
| | 20-8011 | 1UD242-G | 6 | | |
| | 20-8012 | 1UD243-N | 6 | | |
| | 20-8013 | 1UD243-R | 6 | | |
| | 20-8014 | 1UD243-G | 6 | | |

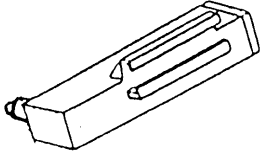


CROWN GRAPHIC

MARKING SYSTEMS CATALOGUE

JANUARY 2008

PAGE M11.01

| Model | OEM Part | Our Equivalent | Pk | MESSTECHNIK R. |
|-------|----------|--------------------------------------|------------------|---|
| | | 1SD8-B 1SD8-N 1SD8-R 1SD8-V | 6 6 6 6 |  |

GRAPHIC CONTROLS LTD, ST PETERS QUAY, TOTNES, DEVON, TQ9 5XH, UK

TEL : +44 (0)1803 860100 FAX : +44 (0)1803 863838 EMAIL : sales@crowng.com WEB : http://www.crowng.com

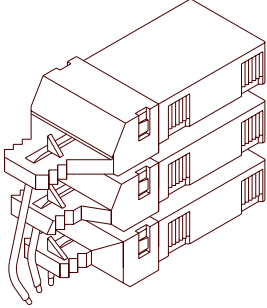


CROWN GRAPHIC

MARKING SYSTEMS CATALOGUE

JANUARY 2008

PAGE M12.01

| Model | OEM Part | Our Equivalent | Pk | METRO |
|--|-------------------------|----------------------------------|-------------|---|
| LINE RECORDER 570 01 97 MODEL ZR410, 420, 430. | ZP410 ZP420 ZP430 | 1MX191-G 1MX192-R 1MX193-B | 2 2 2 |  |

GRAPHIC CONTROLS LTD, ST PETERS QUAY, TOTNES, DEVON, TQ9 5XH, UK

TEL : +44 (0)1803 860100 FAX : +44 (0)1803 863838 EMAIL : sales@crowng.com WEB : http://www.crowng.com

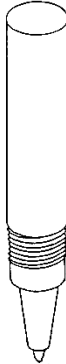


CROWN GRAPHIC

MARKING SYSTEMS CATALOGUE

JANUARY 2008

PAGE M13.01

| Model | OEM Part | Our Equivalent | Pk | METROHM |
|------------------------------|----------|----------------|----|---|
| POTENTIOMETER E536, E537. | EA1008/1 | 1CY1-B01 | 3 |  |
| POLARECORD E506, E626. | EA1008/2 | 1CY1-G01 | 3 | |
| DOSIGRAPH 625. | EA1008/3 | 1CY1-R01 | 3 | |
| LABOGRAPH E586. | | 1CY1-A01 | 3 | |
| | | 1CY1-C01 | 3 | |
| | | 1CY1-M01 | 3 | |
| | | 1CY1-N01 | 3 | |
| | | 1CY1-O01 | 3 | |
| | | 1CY1-V01 | 3 | |
| | | 1CY1-Y01 | 3 | |

GRAPHIC CONTROLS LTD, ST PETERS QUAY, TOTNES, DEVON, TQ9 5XH, UK

TEL : +44 (0)1803 860100 FAX : +44 (0)1803 863838 EMAIL : sales@crowng.com WEB : <http://www.crowng.com>

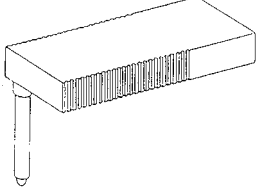


CROWN GRAPHIC

MARKING SYSTEMS CATALOGUE

JANUARY 2008

PAGE M14.01

| Model | OEM Part | Our Equivalent | Pk | METROSONICS |
|------------------------|-------------------|--------------------------|--------|---|
| STRIP CHART RECORDERS. | CP-402 CP-402B | 1FD29L20-R 1FD29L20-B | 5 5 |  |

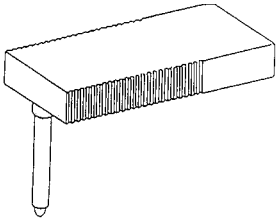


CROWN GRAPHIC

MARKING SYSTEMS CATALOGUE

JANUARY 2008

PAGE M15.01

| Model | OEM Part | Our Equivalent | Pk | M.F.E. |
|---|----------|----------------|----|---|
| SERIES 2100 STRIP CHART RECORDERS. 1 CHANNEL | 31343007 | 1FD29C17-N | 5 |  |
| | 31343015 | 1FD29C17-B | 5 | |
| | 31343023 | 1FD29C17-R | 5 | |
| | 31343031 | 1FD29C17-G | 5 | |
| 2 CHANNEL | 31343007 | 1FD29C17-N | 5 | |
| | 31343015 | 1FD29C17-B | 5 | |
| | 31343023 | 1FD29C17-R | 5 | |
| | 31343031 | 1FD29C17-G | 5 | |
| | 31344005 | 1FD29C32-N | 5 | |
| | 31344013 | 1FD29C32-B | 5 | |
| | 31344021 | 1FD29C32-R | 5 | |
| | 31344039 | 1FD29C32-G | 5 | |
| | | | | |
| | | | | |

GRAPHIC CONTROLS LTD, ST PETERS QUAY, TOTNES, DEVON, TQ9 5XH, UK

TEL : +44 (0)1803 860100 FAX : +44 (0)1803 863838 EMAIL : sales@crowng.com WEB : http://www.crowng.com

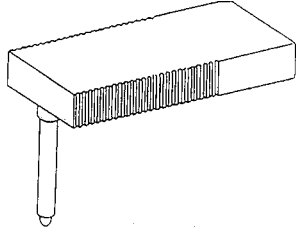
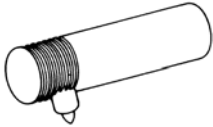
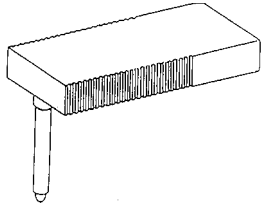
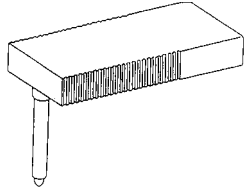


CROWN GRAPHIC

MARKING SYSTEMS CATALOGUE

JANUARY 2008

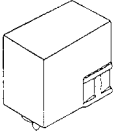

PAGE M16.01

| Model | OEM Part | Our Equivalent | Pk | MOLYTEK |
|---|--------------------------------------|--|------------------|---|
| 3401 | 412023 | 1FD29C31-R | 5 |  |
| 3402. 221-AC/DC, 221-AC, 221AC/XDC, 222-AC, 222-AC/DC, 222-AC/XDC, 312 RECORDERS, 3500 SERIES. | 412022 412023 | 1FD29C09-B 1FD29C31-R | 5 5 | |
| 310, 310-S, 2801-T/C1, 2801-V, 2831, 2802-T/C2, 2802-V, 2832, 2833, 2922, 2803-T/C3, 2803-V, 2922, 2923. | 412001 412002 412003 412004 | 1PB3-B04 1PB3-R04 1PB3-N04 1PB3-G04 | 5 5 5 5 |  |
| 2921 | 412025 | 1FD29C03-B | 5 |  |
| 2922 | 412026 | 1FD29C27-R | 5 | |
| 2923 | 412027 412030 | 1FD29C38-N 1FD29C38-B | 5 5 | |
| | 412015 412016 | 1FD29C28-B 1FD29C01-R | 5 5 |  |

GRAPHIC CONTROLS LTD, ST PETERS QUAY, TOTNES, DEVON, TQ9 5XH, UK

TEL : +44 (0)1803 860100 FAX : +44 (0)1803 863838 EMAIL : sales@crowng.com WEB : http://www.crowng.com



| Model | OEM Part | Our Equivalent | Pk | MONSANTO |
|---|----------------------------------|--|----------------------|---|
| TENSIOMETER, RHEOGRAPH. | AX102 AX103 AX104 AX105 | 1SD4-N 1SD4-B 1SD4-G 1SD4-R | 10 10 10 10 |  |
| SYSTEMS WITH GOERZ RECORDER T670/2. | P5107 P5108 P5109 P5110 | 1MT081-N 1MT081-R 1MT081-B 1MT081-G | 1 1 1 1 | |
| XY METAL PEN .010" BORE. | AP053 | 9ADV10 | 1 | |
| XY METAL PEN .007" BORE. | AP054 | 9ADV07 | 1 | |
| | AC424 AC431 | 1CY5-R 1CY5-N | 4 4 |  |




CROWN GRAPHIC

MARKING SYSTEMS CATALOGUE

JANUARY 2008

PAGE M18.01

| Model | OEM Part | Our Equivalent | Pk | MOORE OREGON |
|---------------------------|--|-------------------------------------|-------------|---|
| CIRCULAR CHART RECORDERS. | 235-0036-00 (QD) 235-0037-00 (QD) 235-0038-00 (QD) | 2N300-N02 2N300-R02 2N300-G02 | 4 4 4 |  |


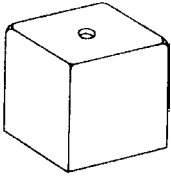
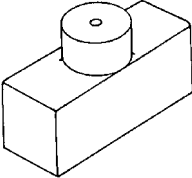
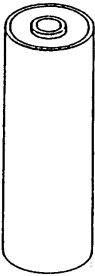


CROWN GRAPHIC

MARKING SYSTEMS CATALOGUE

JANUARY 2008

PAGE M19.01

| Model | OEM Part | Our Equivalent | Pk | MOORE PRODUCTS |
|--|---|-------------------------------------|-------------|---|
| STRIP CHART RECORDERS 3X6 & 6X6. 5300 SERIES, 363 SERIES. | 14230-273 | 2R310-B | |  |
| | 14230-274 | 2R310-R | 4 | |
| | 14230-275 | 2R310-G | 4 | |
| | 14230-424 | 2R310-R | 4 | |
| | 14230-425 | 2R310-B | 4 | |
| | 14230-426 | 2R310-G | 4 | |
| | 14230-79 | 2R310-O | 4 | |
| 14230-247-S | 4G227246X4 | 1 | | |
| | 10752-320 10752-321 10752-322 | 2S211-R 2S211-B 2S211-G | 4 4 4 |  |
| | 10752-324 10752-325 10752-326 | 2S411-R 2S411-B 2S411-G | 4 4 4 |  |
| | 10700-183-S 10700-184-S 10700-185-S | 2N300-R 2N300-B 2N300-G | 4 4 4 |  |
| 5319,5329,5339 360,361,3601,3611 (3" x 6") | 14960-26/16070-26 14960-27/16070-27 14960-28/16070-28 | 1MX281R01 1MX282B01 1MX283G01 | 3 3 3 | |

GRAPHIC CONTROLS LTD, ST PETERS QUAY, TOTNES, DEVON, TQ9 5XH, UK

TEL : +44 (0)1803 860100 FAX : +44 (0)1803 863838 EMAIL : sales@crowng.com WEB : http://www.crowng.com

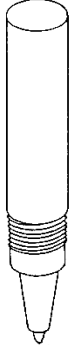


CROWN GRAPHIC

MARKING SYSTEMS CATALOGUE

JANUARY 2008

PAGE M20.01

| Model | OEM Part | Our Equivalent | Pk | P.K. MORGAN |
|-------|----------|----------------|----|---|
| | | 1CY1-N03 | 3 |  |

GRAPHIC CONTROLS LTD, ST PETERS QUAY, TOTNES, DEVON, TQ9 5XH, UK

TEL : +44 (0)1803 860100 FAX : +44 (0)1803 863838 EMAIL : sales@crowng.com WEB : http://www.crowng.com

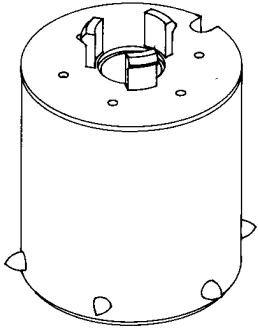


CROWN GRAPHIC

MARKING SYSTEMS CATALOGUE

JANUARY 2008

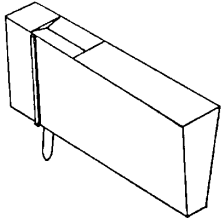
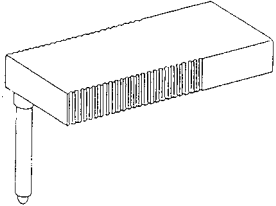
PAGE M21.01

| Model | OEM Part | Our Equivalent | Pk | MORS |
|-------|--|--|------------------|---|
| | 454910 452 454910 453 454910 454 454910 455 | 6PW0501 1 col 6PW0601 2 col 6PW0701 3 col 6PW0801 6 col | 1 1 1 1 |  |

GRAPHIC CONTROLS LTD, ST PETERS QUAY, TOTNES, DEVON, TQ9 5XH, UK

TEL : +44 (0)1803 860100 FAX : +44 (0)1803 863838 EMAIL : sales@crowng.com WEB : http://www.crowng.com



| Model | OEM Part | Our Equivalent | Pk | MOUNT SOPRIS |
|------------------------|----------------|----------------|----|---|
| 3310 SERIES. | PF-0501 | 1FD21-R | 10 |  |
| | PF-0502 | 1FD21-N | 10 | |
| | PF-0503 | 1FD21-B | 10 | |
| | PF-0504 | 1FD21-M | 10 | |
| | PF-0505 | 1FD21-V | 10 | |
| | PF-0506 | 1FD21-G | 10 | |
| STRIP CHART RECORDERS. | LEFT HAND NIB | 1FD29L19-N | 5 |  |
| | | 1FD29L19-R | 5 | |
| | CENTRE NIB | 1FD29L19-N | 5 | |
| | | 1FD29L19-R | 5 | |
| | RIGHT HAND NIB | 1FD29L19-N | 5 | |

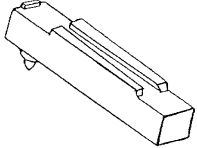
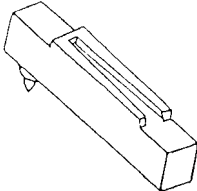


CROWN GRAPHIC

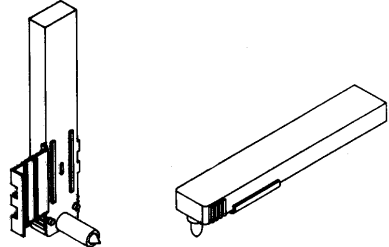
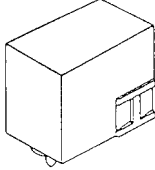
MARKING SYSTEMS CATALOGUE

JANUARY 2008

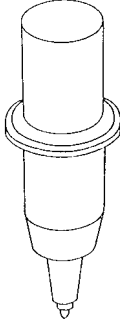
PAGE M23.01

| Model | OEM Part | Our Equivalent | Pk | Dr. MULLER |
|------------------------|----------|--|-----------------------|---|
| HYDROTHERMO- GRAPH. | | 1SD7-B 1SD7-G 1SD7-N 1SD7-R 1SD7-V | 3 3 3 3 3 |  |
| 78WF | 78WF | 1SD11-R 1SD11-V | 6 6 |  |



| Model | OEM Part | Our Equivalent | Pk | R.W. MUNRO |
|--|------------------|---------------------------|----|---|
| GALVONOMETRIC STRIP CHART RECORDER. | 1A/581/106/SA | 9MUNARM | 1 | |
| | 1A/581/173 SX47 | 9MR12518716 METAL PEN TIP | 1 | |
| TO CONVERT THE RECORDER TO USING A FTD PEN USE THE PARTS LISTED BELOW. | | | | |
| | SX1461 | 9KUD197 | 1 |  |
| | | 1UD242-B | 6 | |
| | SX935 | 1SD4-N5MM | 1 |  |
| | SX443 BUCKET PEN | 9MR01 .012" NIB. | 1 | |
| | SX617 | 4N46X4 | 1 | |
| | SX730 QUICK DRY | 3OZ8-B02 | 1 | |
| | SX731 QUICK DRY | 3CC50-B02 | 1 | |
| | 26A/115/291 | 9MR02 METAL HOLDER. | 1 | |



| Model | OEM Part | Our Equivalent | Pk | MUTOH |
|---|----------|--|------------------------------|---|
| IF-200, GP-4230, IP-100, IP-500E, IP-500EL. | | 1CY20P3-# 1CY20P5-# 1CY20P7-# 1CY20RB-# | 5 5 5 5 |  |
| <p>WE OFFER THE CY20 FTD PEN SERIES IN A VARIETY OF COLOURS, EITHER A,B,C,G,M,N,O,R,V OR Y.</p> | | | | |