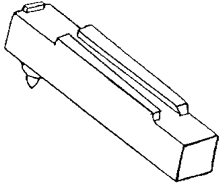
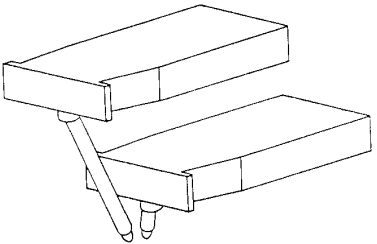
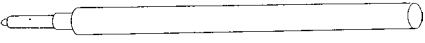
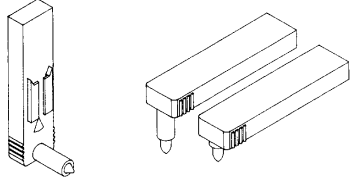
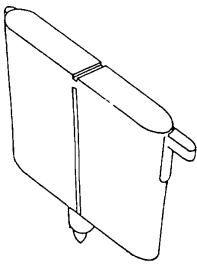


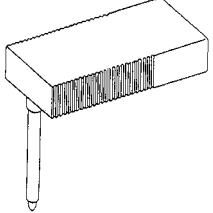
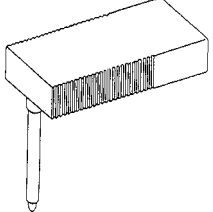
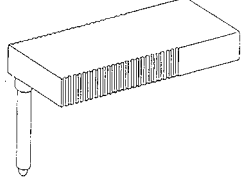
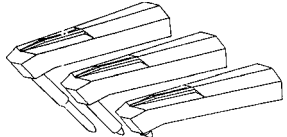


| Model | OEM Part | Our Equivalent | Pk | OBSERVATOR |
|-------|----------|--|-----------------------|---|
| | | 1SD7-B 1SD7-G 1SD7-N 1SD7-R 1SD7-V | 3 3 3 3 3 |  |

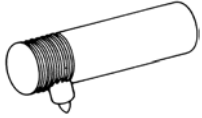
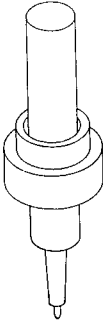
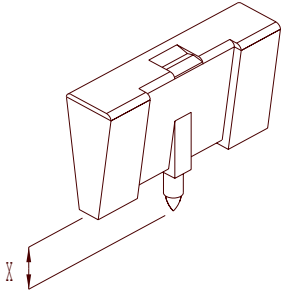


| Model | OEM Part | Our Equivalent | Pk | OMEGA ENGINEERING |
|---|--|--|--|---|
| RD541, RD543. | RDX 540-BK1 RDX 540-RD1 RDX 540-GN1 RDX 540-BL1 | 1MT681-N03 1MT681-R03 1MT681-G03 1MT681-B03 | 1 1 1 1 |  |
| RD542, RD544. | RDX 540-BK1 RDX 540-RD1 RDX 540-GN1 RDX 540-BL1 RDX 540-BK2 RDX 540-RD2 RDX 540-GN2 RDX 540-BL2 | 1MT681-N03 1MT681-R03 1MT681-G03 1MT681-B03 1MT682-N03 1MT682-R03 1MT682-G03 1MT682-B03 | 1 1 1 1 1 1 1 1 | |
| RDX545 | RDX 545-BK1 RDX 545-RD1 RDX 545-GR1 RDX 545-BL1 | 1CY19-N 1CY19-R 1CY19-G 1CY19-B | 5 5 5 5 |  |
| CT400 SERIES TEMP./HUMIDITY RECORDES. | CT-400-PEN-BLUE CT-400-PEN-RED | 1UD212-B 1UD211-R | 1 1 |  |
| RD3023, 3024, 3025 X-Y's. RD3057-11, 12, 13, 21, 22, 23. | RD3020-01 RD3057-01 RD3020-02 RD3057-02 | 1FD19-R 1FD19-G | 3 3 |  |

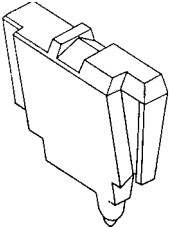
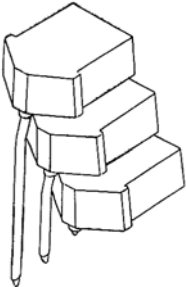
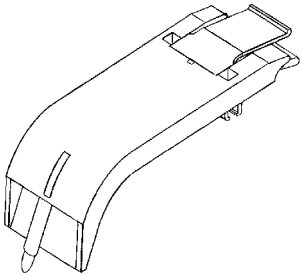


| Model | OEM Part | Our Equivalent | Pk | OMEGA ENGINEERING |
|---|--------------|----------------|----|---|
| 595, RD-2053, 63. | 0100-0131 | 1FD29C26-B | 5 |  |
| | 0100-0132 | 1FD29C38-G | 5 | |
| 141, 142, 143, RD-145, RD-1201, RD-2010, 20, 51, 53, 61, 63, 81, 81A, 555, 595. | 0100-0105 | 1FD29C09-B | 5 |  |
| | 0100-0106 | 1FD29C09-R | 5 | |
| | 0100-0107 | 1FD29C09-N | 5 | |
| | 0100-0108 | 1FD29C09-G | 5 | |
| RD-146, RD-1202, RD-1230, 52, 62, 82, 82A, 585. | 0100-0105 | 1FD29C09-B | 5 | |
| | 0100-0106 | 1FD29C09-R | 5 | |
| | 0100-0107 | 1FD29C09-N | 5 | |
| | 0100-0108 | 1FD29C09-G | 5 | |
| | 0100-0109 | 1FD29C31-B | 5 | |
| | 0100-0110 | 1FD29C31-R | 5 | |
| | 0100-0111 | 1FD29C31-N | 5 | |
| | 0100-0112 | 1FD29C31-G | 5 | |
| RD61, 62, 63 XY's, RD500, 510, RD7510, 7520, 7610, 7620, 7710, 7720. | RDX-7000-RED | 1FD29L09-R | 5 |  |
| | RDX-7000-BK | 1FD29L30-N | 5 | |
| CT1100, 1100A, 1121, 1200, 1200A, 1205A-MB, 1214, 1221, 1300A, 1305A-MB, 1315, 1700. | CT1000-GR | 1FD341-G | 5 |  |
| | CT1000-RD | 1FD342-R | 5 | |
| | CT1000-PR | 1FD343-V | 5 | |
| | CT1000-BL | 1FD343-B | 5 | |



| Model | OEM Part | Our Equivalent | Pk | OMEGA ENGINEERING |
|---|--|--|--|---|
| 156 | 0100-0101 0100-0102 0100-0103 0100-0104 | 1PB3-B03 1PB3-R03 1PB3-N03 1PB3-G03 | 5 5 5 5 |  |
| DAP781, DAP782. | DAPX-780-BK SL-112 DAPX-780-BL SL-111 DAPX-780-BR SL-114 DAPX-780-GR SL-113 DAPX-780-MG SL-116 DAPX-780-OR SL-117 DAPX-780-RD SL-110 DAPX-780-YW SL-115 | 1CY10P5-N 1CY10P5-B 1CY10P5-M 1CY10P5-G 1CY10P5-A 1CY10P5-O 1CY10P5-R 1CY10P5-Y | 5 5 5 5 5 5 |  |
| RD351, 352, 352A, 353, 353A, 354, 355, 356, 364, 364A, 365, 366, 366A. | RDX350-BK RDX350-RD RDX350-BL RDX350-GR RDX350-BR RDX350-VT | 1FD3-N 1FD3-R 1FD3-B 1FD3-G 1FD3-M 1FD3-V | 1 1 1 1 1 1 |  |



| Model | OEM Part | Our Equivalent | Pk | OMEGA ENGINEERING |
|--|--|--|------------------|---|
| DAR130, DAR131, DAR132, DAR133, 600/610 SERIES FLATBED, 6400 SERIES. | DARX-130-BK SL-103 | 1FD33-N | 3 |  |
| | DARX-130-BL SL-101 | 1FD33-B | 3 | |
| | DARX-130-GN SL-102 | 1FD33-G | 3 | |
| | DARX-130-RD SL-100 | 1FD33-R | 3 | |
| | SL-104 | 1FD33-M | 3 | |
| | SL-105 | 1FD33-V | 3 | |
| 790 X-Y, RD6112. | SL-301 | 1MT081-R | 1 |  |
| 620, 640, RD6110, RD6111. | SL-301 | 1MT081-R | 1 | |
| | SL-302 | 1MT082-B | 1 | |
| 630 | SL-301 | 1MT081-R | 1 | |
| | SL-302 | 1MT082-B | 1 | |
| | SL-303 | 1MT083-G | 1 | |
| RD3720 SERIES LAB RECORDERS. | RD3720-01 RD3720-02 RD3720-03 RD3720-04 | 1FD14-R 1FD14-G 1FD14-B 1FD14-M | 3 3 3 3 |  |

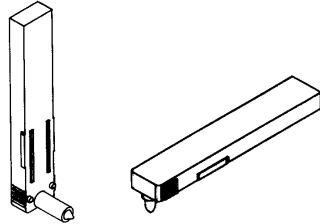
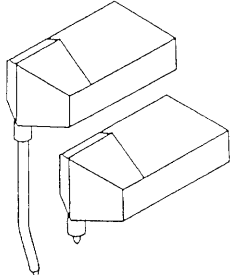
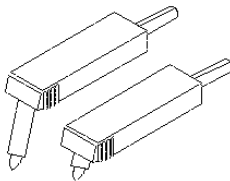


CROWN GRAPHIC

MARKING SYSTEMS CATALOGUE

JANUARY 2008

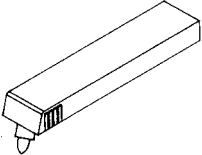
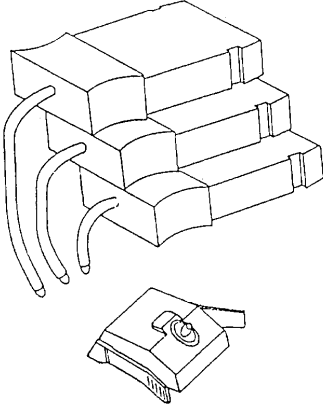
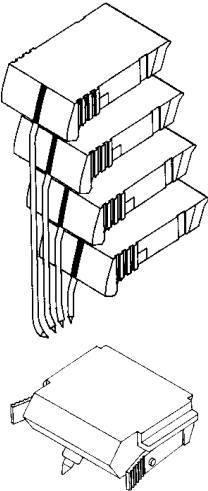
PAGE 002.05

| Model | OEM Part | Our Equivalent | Pk | OMEGA ENGINEERING |
|--|---|--|--------------------------------|---|
| CT811, CT817, CT821, CT827. | CTH-82-PEN-RED | 1UD231-R | 2 |  |
| RD41-05, RD41-06, RD91, 92, 93, 94, X-Y, X-Y/Y-t, X-Y-Y', X-Y-Y'/Y-t. | RDX40-BK RDX40-BL RDX40-GR RDX40-RD1 | 1MT272-N 1MT272-B 1MT272-G 1MT272-R | 6 6 6 6 |  |
| RD42-05, RD42-06, RD46. | RDX40-BK RDX40-BL RDX40-GR RDX40-RD1 RDX40-RD2 RDX40-BK2 | 1MT272-N 1MT272-B 1MT272-G 1MT272-R 1MT271-R 1MT271-N | 6 6 6 6 6 6 | |
| CT7100, 7110, 7102, 7102-XPS, 7114, 7200-MA1-XPS, 7202, 7224. | CT-7000-GREEN CT-7000-RED | 1UD131-G 1UD132-R | 5 5 |  |
| QUICK DRY INK. | SL-200 SL-201 SL-202 SL-203 SL-204 SL-205 | 3OZ1-R02 3OZ1-B02 3OZ1-G02 3OZ1-N02 3OZ1-M02 3OZ1-V02 | 1 1 1 1 1 1 | |

GRAPHIC CONTROLS LTD, ST PETERS QUAY, TOTNES, DEVON, TQ9 5XH, UK

TEL : +44 (0)1803 860100 FAX : +44 (0)1803 863838 EMAIL : sales@crowng.com WEB : http://www.crowng.com



| Model | OEM Part | Our Equivalent | Pk | OMEGA ENGINEERING |
|--|-----------------------|-----------------------|----|---|
| CTPH, CT483RS, CT485B, CT585B SERIES RECORDERS. | CT485-PR | 1UD121-R | 1 |  |
| | CT485-PB | 1UD121-B | 1 | |
| | CT485-PS | 1UD121MIX01 (1x R,B) | 2 | |
| | CT585-PS | 1UD121MIX02 (1 x R,G) | 2 | |
| | CT585-PS-6 | 1UD121MIX03 (6x R,B) | 12 | |
| CT485-PS-6 | 1UD121MIX04 (6 x R,G) | 12 | | |
| 111, 112, 113, 121, 122, 123, RD101, RD102, RD103. | RD100-01 | 1MT441-R | 3 |  |
| | RD100-02 | 1MT442-G | 3 | |
| | RD100-03 | 1MT443-B | 3 | |
| | RD100-11 | 1MT44P3-V | 3 | |
| RD100A, RD1800 SERIES. | RD100A-01 | 1MT984-R | 3 |  |
| | RD100A-02 | 1MT983-G | 3 | |
| | RD100A-03 | 1MT982-B | 3 | |
| | RD100A-04 | 1MT981-A | 3 | |
| | RD100A-11 | 1MT98P3-V | 3 | |

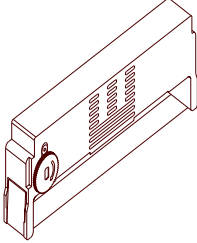
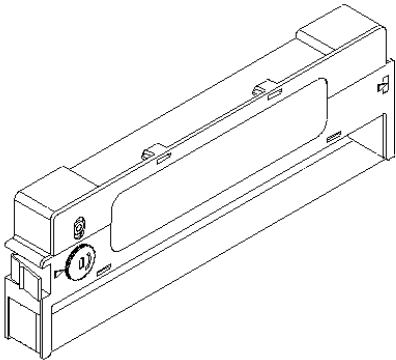


CROWN GRAPHIC

MARKING SYSTEMS CATALOGUE

JANUARY 2008

PAGE 002.07

| Model | OEM Part | Our Equivalent | Pk | OMEGA ENGINEERING |
|------------------------------------|----------|----------------|----|--|
| RD106 | RD100-RC | 8RIBBON01 | 1 |  |
| RD1806, RD1812, RD1818, RD1824. | RD110-RC | 8RIBBON02 | 1 |  |

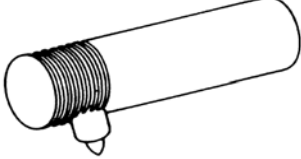


CROWN GRAPHIC

MARKING SYSTEMS CATALOGUE

JANUARY 2008

PAGE O03.01

| Model | OEM Part | Our Equivalent | Pk | ORTEC |
|------------------------|----------|--|-----------------------|---|
| STRIP CHART RECORDERS. | 64547 | 1PB3-B03 1PB3-G03 1PB3-N03 1PB3-R03 1PB3-V03 | 5 5 5 5 5 |  |

GRAPHIC CONTROLS LTD, ST PETERS QUAY, TOTNES, DEVON, TQ9 5XH, UK

TEL : +44 (0)1803 860100 FAX : +44 (0)1803 863838 EMAIL : sales@crowng.com WEB : http://www.crowng.com

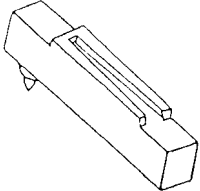


CROWN GRAPHIC

MARKING SYSTEMS CATALOGUE

JANUARY 2008

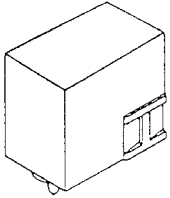

PAGE 004.01

| Model | OEM Part | Our Equivalent | Pk | OTA |
|-------|----------|--------------------|--------|---|
| | | 1SD11-R 1SD11-V | 6 6 |  |

GRAPHIC CONTROLS LTD, ST PETERS QUAY, TOTNES, DEVON, TQ9 5XH, UK

TEL : +44 (0)1803 860100 FAX : +44 (0)1803 863838 EMAIL : sales@crowng.com WEB : http://www.crowng.com



| Model | OEM Part | Our Equivalent | Pk | OXFORD INSTRUMENTS |
|--|----------|--|----------------------------|--|
| 3000 RECORDERS | | 1SD4-B 1SD4-G 1SD4-N 1SD4-R 1SD4-V | 10 10 10 10 10 |  |
| <div data-bbox="277 850 846 1010" style="border: 1px solid black; padding: 5px; width: fit-content;"> <p>WE OFFER THE CY4 RANGE WITH EITHER A STD, FL, P3, P5, P7 OR A RB TIP TYPE. THE COLOURS WHICH WE CAN SUPPLY ARE B,G,M,N,R OR V.</p> </div> | | 1CY4-# | 5 |  |

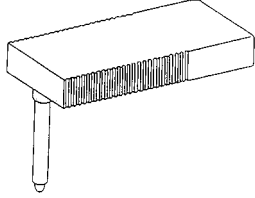


CROWN GRAPHIC

MARKING SYSTEMS CATALOGUE

JANUARY 2008

PAGE O06.01

| Model | OEM Part | Our Equivalent | Pk | OXIMETRICS |
|------------------------|----------|----------------|----|---|
| STRIP CHART RECORDERS. | 35501 | 1FD29C20-N | 5 |  |