




**CROWN GRAPHIC**

# MARKING SYSTEMS CATALOGUE

JANUARY 2008

PAGE P01.01

Model	OEM Part	Our Equivalent	Pk	PALMER BIOSCIENCE
	810-82000-1	1CY4-N 1CY4-R 1CY4-B 1CY4-G 1CY4-V	5 5 5 5 5	

GRAPHIC CONTROLS LTD, ST PETERS QUAY, TOTNES, DEVON, TQ9 5XH, UK

TEL : +44 (0)1803 860100 FAX : +44 (0)1803 863838 EMAIL : sales@crowng.com WEB : http://www.crowng.com

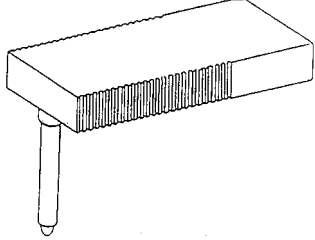


**CROWN GRAPHIC**

# MARKING SYSTEMS CATALOGUE

JANUARY 2008

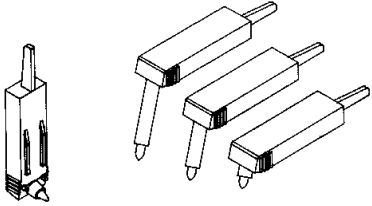
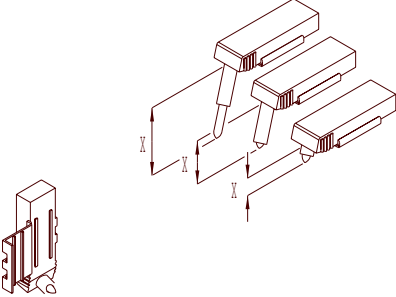
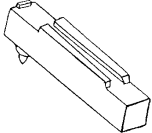
PAGE P02.01

Model	OEM Part	Our Equivalent	Pk	PANTOS
U228, US228	PC200R	1FD29C25-R	5	
	PC700G	1FD29C29-G	5	

GRAPHIC CONTROLS LTD, ST PETERS QUAY, TOTNES, DEVON, TQ9 5XH, UK

TEL : +44 (0)1803 860100 FAX : +44 (0)1803 863838 EMAIL : sales@crowng.com WEB : http://www.crowng.com



Model	OEM Part	Our Equivalent	Pk	PARTLOW
ARC4100, ER, ERC, ET, ETC, ETRR, EV, EVC, HTST, MRC5000, MRC7000, MRC7700, MRC7800, MRC8000, RDW, RDWET, RFC, RFH, RFH-J73, RFH-J700, RFH-755, RFP, STLR3, TRDW, TRLW.	605-00-401 644-017-01	1UD131-G	5	
	605-00-402 644-017-02	1UD132-R	5	
	605-00-403 644-017-03	1UD131-R	5	
	605-00-404 644-017-04	1UD133-R	5	
	605-00-405	1UD133-G	5	
<div style="border: 1px solid black; padding: 5px; width: fit-content; margin: 0 auto;"> <p>FOR RECORDERS CONVERTED TO USE G.C. PEN ARMS TO USE 82-32 SERIES "SNAP ON" PENS USE THE FOLLOWING.</p> </div>				
	605-00-401	1UD111-G	5	
	605-00-402	1UD112-R	5	
	605-00-403	1UD111-R	5	
	605-00-404	1UD113-R	5	
	605-00-405	1UD113-G	5	
	605-00-501	1SD7-R	3	

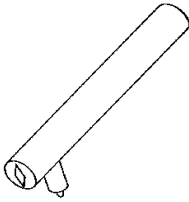


**CROWN GRAPHIC**

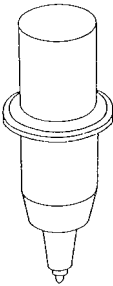
# MARKING SYSTEMS CATALOGUE

JANUARY 2008

PAGE P04.01



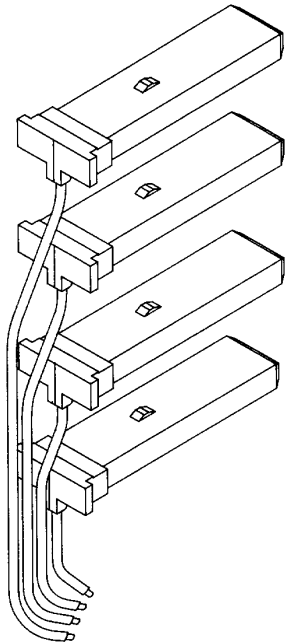
Model	OEM Part	Our Equivalent	Pk	PEELFORCE
GPD PEELFORCE TESTER MODEL 856	701B 701RD 701BL	1PB5-N 1PB5-R 1PB5-B	5 5 5	



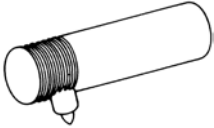
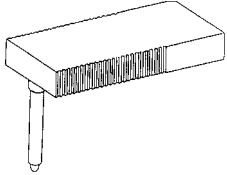
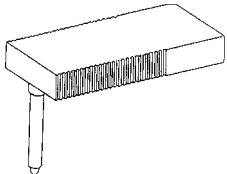
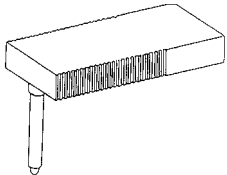
Model	OEM Part	Our Equivalent	Pk	PENMAN	
PENMAN PLOTTERS	LA234654	1CY20P3-R	5		
	LA234655	1CY20P3-B	5		
	LA234656	1CY20P3-G	5		
	LA234657	1CY20P3-N	5		
			1CY20P3-A		5
			1CY20P3-C		5
			1CY20P3-M		5
			1CY20P3-O		5
			1CY20P3-V		5
			1CY20P3-Y		5
		LA234650	1CY20P3MIX01 (1x RBGN)		4
		LA234662	1CY20P7-R		5
		LA234663	1CY20P7-B		5
		LA234664	1CY20P7-G		5
		LA234665	1CY20P7-N		5
			1CY20P7-A		5
			1CY20P7-C		5
			1CY20P7-M		5
			1CY20P7-O		5
			1CY20P7-V		5
		1CY20P7-Y	5		
	LA234651	1CY20P7MIX01 (1x RBGN)	4		

WE CAN ALSO SUPPLY THE CY20 PEN SERIES WITH EITHER A P5 OR RB TIP OPTION. FOR THE AVAILABLE COLOURS REFER TO THE P7 LIST ABOVE.


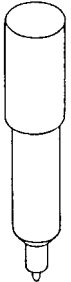


Model	OEM Part	Our Equivalent	Pk	PENNY & GILES
CAPILLARY STRIP CHART RECORDERS.	P39077/1	2PGN375-R	4	
	P39077/2	2PGN375-N	4	
	P39077/3	2PGN375-G	4	
	P39077/4	2PGN375-B	4	
	P39077/5	2PGN375-V	4	
IF THE RECORDER HAS BEEN CONVERTED TO FTD PENS THEN USE THE PENS LISTED BELOW.		4N38X4 TIP	1	
		7RB PRIMING BULB	1	
	P37413	9ROLPG	1	
DPSR STRIPRITE RECORDER	SA84515 SA84516 SA84517 SA84518	1MX121-R 1MX122-N 1MX123-G 1MX124-B	2 2 2 2	



Model	OEM Part	Our Equivalent	Pk	PERKIN ELMER
MODEL 23 SINGLE CHANNEL	023-1253	1PB3-R03	5	
561D	023-1254	1FD29C31-R	5	
	023-1255	1FD29C09-G	5	
LC55, 56, 200, 601, 604, MODEL 123, 550, 551, 557, 571, 572, 575, H056-001, 220, 561H, 561L, 561M, 571, 572, 575.	040-1740 023-0567 CP-285010	1FD29C09-N	5	
	040-1741 023-0568 CP-285040	1FD29C09-R	5	
	040-1742 023-0566 CP-285030	1FD29C09-B	5	
	040-1743 023-0569 CP-285020	1FD29C09-G	5	
57-0200, 57-0100, 57-0130	28501-J 28502-J 28503-J 28504-J	1FD29C14-N	5	
		1FD29C14-G	5	
		1FD29C14-B	5	
		1FD29C14-R	5	



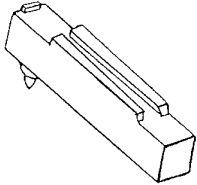
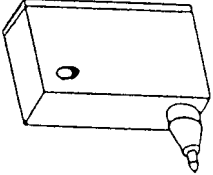
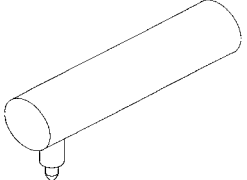
Model	OEM Part	Our Equivalent	Pk	PERKIN ELMER
77, 157, 167, 197, 225, 267, 281, 283, 297, 323, 340, 357, 397, 399, 402, 457, 467, 552S, 554, 555, 556, 557, 567, 580B, 597, 299, 399, 599, 180, 34, 700, 720, 566, -727B & -735B, H0050125, 701B, AS 211-0670.	211-0670 132884 0497-0090	1CY1-R02	3	
	211-0671 0497-0092 067809 094018	1CY1-N02	3	
	211-0672 132886 0497-0089	1CY1-G02	3	
	211-067X 132885 0497-0091	1CY1-B02	3	
	132887  06-7808	1CY1-V02  1CY102MIX01 (2x N, 1x RBGV)	3  6	
56S, 56D, 159, 165, 169, QPD 33, 56M	053764 053869 053870 053871 053872	1CY9-R 1CY9-N 1CY9-B 1CY9-V 1CY9-G	6 6 6 6 6	
PEX-Y1, Y2		1FD21-#	10	
<div style="border: 1px solid black; padding: 5px; width: fit-content; margin: 0 auto;"> <p>COLOURS AVAILABLE ARE EITHER A,B,C,G,M,N,O,R,V OR Y.</p> </div>				



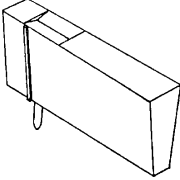
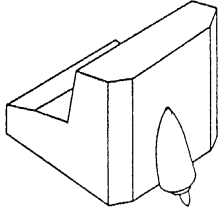
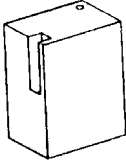
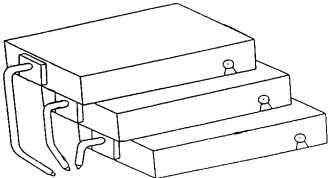
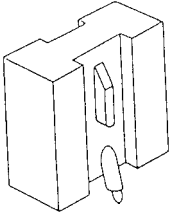


Model	OEM Part	Our Equivalent	Pk	PERKIN ELMER
237 INFRA-RED SPECTROPHOTO-METER	496-2855	9PE01	1	
<div style="border: 1px solid black; padding: 5px; width: fit-content; margin: 0 auto;">TO CONVERT THE ABOVE RECORDER TO TAKE FTD PENS USE THE PARTS LISTED BELOW.</div>				
1R 137, 1R 237.	496-2855	9KPB21 1PB21-R	1 1	
	159-2110	9PE02	1	



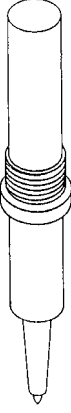


Model	OEM Part	Our Equivalent	Pk	GEBR PFORTNER
		1SD7-B 1SD7-G 1SD7-N 1SD7-R 1SD7-V	3 3 3 3 3	
		1SD5-B 1SD5-G 1SD5-N 1SD5-R 1SD5-V	6 6 6 6 6	
		1PB717.5MM-B 1PB717.5MM-G 1PB717.5MM-N 1PB717.5MM-R 1PB717.5MM-V	6 6 6 6 6	



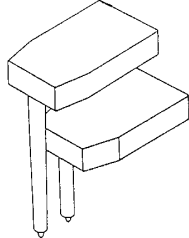
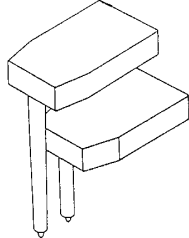
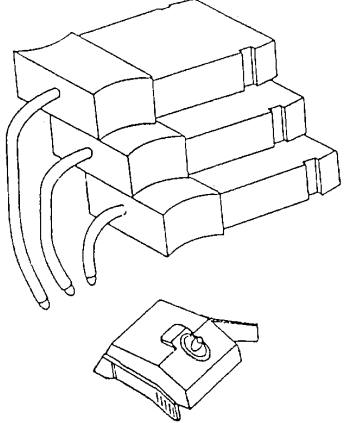
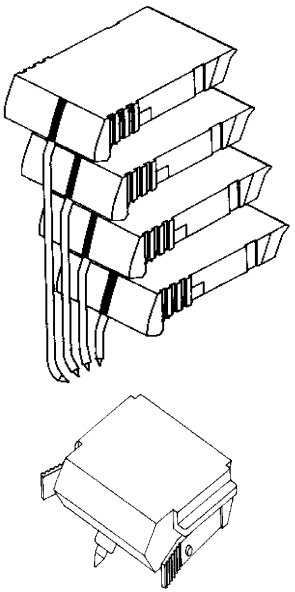
Model	OEM Part	Our Equivalent	Pk	PHILIPS
A3 SIZE XY RECORDERS PM8032, PM8033, PM8133, PM8134, A4 SIZE XY RECORDERS PM8042, PM8043, PM8143, PM8132, PM8224, PM8226, PM8104, PM8114, PM8106, PM8116, PM8132.	PM9875R/01 PM9875B/01 PM9875G/01 PM9875U/01 PM9875V/01 PM9875A/01	1FD21-R 1FD21-B 1FD21-G 1FD21-M 1FD21-V 1FD21-N	10 10 10 10 10 10	
PM8000, PM8100	PM9805/03 PM9807/03	1SD24-R 1SD24-B	6 6	
PM8125, PM8132	PM9852/01 PM9853/01	2ZB03-R 2ZB03-B	4 4	
KS3270 SERIES	4012 027 45447 4012 027 45448 4012 027 45449	1MT501-R 1MT502-G 1MT503-G	1 1 1	
PCS	4012 151 29731 4012 151 29741	1SD21-R 1SD21-V	6 6	



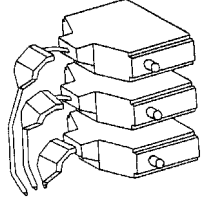
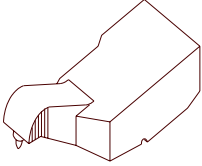
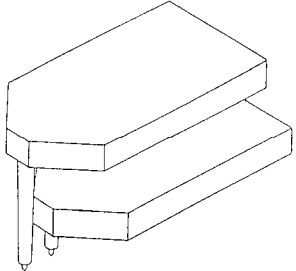
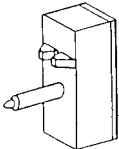
Model	OEM Part	Our Equivalent	Pk	PHILIPS
PM8041, PM8141, PM8125, PU8800, PM8262, PM8261, PM8271, PM8272, PM8071, PM8072, PM8277, PM8278, AR55, PM8120, PM8200, SP90, SP1000, SP1025, SP1050, SP1100, SP1900, SP2000, SP4000, SP3-100, SP4-300, SP8-100, SP8-200, SP8-500.	PM9856/01 PM9857/01	1CY1-B01 1CY1-R01	3 3	
SP8 UV/VISIBLE SPECTROPHOTO- METER.	228-33001 228-33011 228-33021 062-21003  062-21004	1CY102-G02 1CY102-B02 1CY102-N02 1CY102-R02  1CY102MIX01 (1x RBGNV)	3 3 3 3  5	
PM8153	PM9856/20	1CY15-B	5	





Model	OEM Part	Our Equivalent	Pk	PHILIPS
COMPRECORDER PM8132, PM8245.	PM9856/10	1FD24-B	10	
	PM9856R/10	1FD24-R	10	
	PM9857/10	1FD23-R	10	
COMPRECORDER PM8240, PM8041, PM8131, PM8236, PM8141 new version.	PM9856/10	1FD24-B	10	
	PM9856A/10	1FD24-N	10	
	PM9856R/10	1FD24-R	10	
KS3430 9404 34...	4012 027 45491	1MT441-R	3	
	4012 027 45492	1MT442-G	3	
	4012 027 45493	1MT443-B	3	
	4012 027 45495	1MT44P3-V	3	
KS3540	4012-027-45513	1MT981-A	3	
	4012-027-45512	1MT982-B	3	
	4012-027-45511	1MT983-G	3	
	4012-027-45519	1MT984-R	3	
	4012-027-45514	1MT98P3-V	3	



Model	OEM Part	Our Equivalent	Pk	PHILIPS
KS3930A, KS3930B	4012-027-45518	1MT461-R	1	 
	4012-027-45519	1MT462-B	1	
	4012-027-45521	1MT463-G	1	
	4012-027-45537	1FD07-N	1	
MINI-RECORDER PM8110, MODUL COMPACT RECORDER PM8202.	PM9856/05	1FD25-B	10	
COMPACT RECORDER PM8071, PM8203, PM8251, PM8261, PM8271, PM8277.	PM9857/05 PM9857B/05	1FD26-R 1FD26-B	10 10	
MODUL COMPACT RECORDER PM8222, COMPACT RECORDER PM8072, PM8252, PM8262, PM8272, PM8278.	PM9856/05 PM9857/05 PM9857B/05	1FD25-B 1FD26-R 1FD26-B	10 10 10	
TRANSOCOMP 250	2812 062 21001	1SD32-B02	6	



**CROWN GRAPHIC**

# MARKING SYSTEMS CATALOGUE

JANUARY 2008

PAGE P09.06

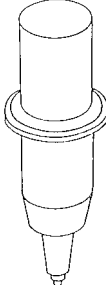
Model	OEM Part	Our Equivalent	Pk	PHILIPS
TRANSOKOMP 300, 350.	4012 027 45498	8RIBBON04	1	

GRAPHIC CONTROLS LTD, ST PETERS QUAY, TOTNES, DEVON, TQ9 5XH, UK

TEL : +44 (0)1803 860100 FAX : +44 (0)1803 863838 EMAIL : sales@crowng.com WEB : http://www.crowng.com





Model	OEM Part	Our Equivalent	Pk	PICOM
MP4002, MP4503		1CY20P3-# 1CY20P5-# 1CY20P7-# 1CY20RB-#	5 5 5 5	
<p>WE CAN SUPPLY THE CY20 RANGE IN A VARIETY OF COLOURS, EITHER A,B,C,G,M,N,O,R,V OR Y.</p>				

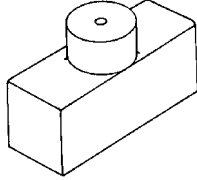


**CROWN GRAPHIC**

# MARKING SYSTEMS CATALOGUE

JANUARY 2008

PAGE P11.01

Model	OEM Part	Our Equivalent	Pk	PIGNONE
	3658.431.100 3658.432.100 3658.433.100	2S411-G 2S411-R 2S411-B	4 4 4	



**CROWN GRAPHIC**

# MARKING SYSTEMS CATALOGUE

JANUARY 2008

PAGE P12.01

Model	OEM Part	Our Equivalent	Pk	POWERS
	720-101	1UD231-B	2	
	720-102	1UD232-R	2	
	720-103	1UD233-G	2	
	720-104	1UD234-N	2	

GRAPHIC CONTROLS LTD, ST PETERS QUAY, TOTNES, DEVON, TQ9 5XH, UK

TEL : +44 (0)1803 860100 FAX : +44 (0)1803 863838 EMAIL : sales@crowng.com WEB : http://www.crowng.com

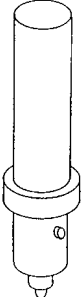



**CROWN GRAPHIC**

# MARKING SYSTEMS CATALOGUE

JANUARY 2008

PAGE P13.01

Model	OEM Part	Our Equivalent	Pk	PRINCETON APPLIED R
9009 X-Y, 374 X-Y.	3000-0055-08 3000-0056-07 3000-0057-06 3000-0058-05	1CY14-R 1CY14-B 1CY14-G 1CY14-N	5 5 5 5	
	3000-0077-02 3000-0077-01 3000-0076-03 3000-0075-04	1CY5-G 1CY5-R 1CY5-B 1CY5-N	4 4 4 4	

GRAPHIC CONTROLS LTD, ST PETERS QUAY, TOTNES, DEVON, TQ9 5XH, UK

TEL : +44 (0)1803 860100 FAX : +44 (0)1803 863838 EMAIL : sales@crowng.com WEB : <http://www.crowng.com>