




CROWN GRAPHIC

MARKING SYSTEMS CATALOGUE

JANUARY 2008

PAGE S01.01

Model	OEM Part	Our Equivalent	Pk	SAITRON
801, 803 DENSTO-METERS.		1CY1-B01 1CY1-G01 1CY1-R01	3 3 3	

GRAPHIC CONTROLS LTD, ST PETERS QUAY, TOTNES, DEVON, TQ9 5XH, UK

TEL : +44 (0)1803 860100 FAX : +44 (0)1803 863838 EMAIL : sales@crowng.com WEB : http://www.crowng.com

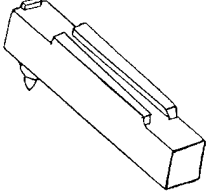


CROWN GRAPHIC

MARKING SYSTEMS CATALOGUE

JANUARY 2008

PAGE S02.01

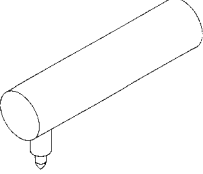
Model	OEM Part	Our Equivalent	Pk	SALMOIRAGHI
THERMO-HYGROGRAPH.		1SD7-B 1SD7-G 1SD7-N 1SD7-R 1SD7-V	3 3 3 3 3	




Model	OEM Part	Our Equivalent	Pk	SARTORIUS
		1FD21-#	10	

AVAILABLE COLOURS ARE EITHER
A,B,C,G,M,N,O,R,V OR Y.



Model	OEM Part	Our Equivalent	Pk	SAUTER
		1PB7-B10 1PB7-G10 1PB7-N10 1PB7-R10 1PB7-V10	6 6 6 6 6	



Model	OEM Part	Our Equivalent	Pk	SCAN
100, SE225.		1CY1-#01	3	

AVAILABLE COLOURS ARE EITHER
A,B,C,G,M,N,O,R,V OR Y.

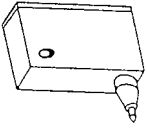


CROWN GRAPHIC

MARKING SYSTEMS CATALOGUE

JANUARY 2008

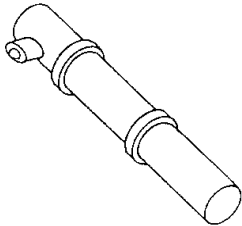
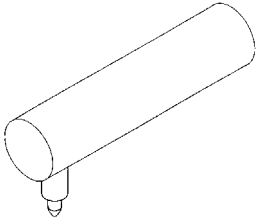
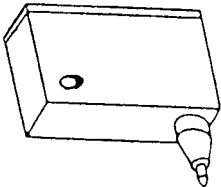
PAGE S06.01

Model	OEM Part	Our Equivalent	Pk	SCHAFFER & B.
		1SD5-B 1SD5-G 1SD5-N 1SD5-R 1SD5-V	6 6 6 6 6	

GRAPHIC CONTROLS LTD, ST PETERS QUAY, TOTNES, DEVON, TQ9 5XH, UK

TEL : +44 (0)1803 860100 FAX : +44 (0)1803 863838 EMAIL : sales@crowng.com WEB : http://www.crowng.com



Model	OEM Part	Our Equivalent	Pk	SCHLEGEL
		1PB4-B01 1PB4-G01 1PB4-N01 1PB4-R01 1PB417.5MM-B 1PB417.5MM-G 1PB417.5MM-N 1PB417.5MM-R	6 6 6 6 6 6 6 6	
		1PB7-B01 1PB7-N01 1PB7-R01 1PB7-B11 1PB7-N11 1PB7-R11	6 6 6 6 6 6	
		1SD5-B 1SD5-G 1SD5-N 1SD5-R 1SD5-V	6 6 6 6 6	

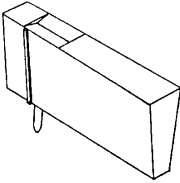


CROWN GRAPHIC

MARKING SYSTEMS CATALOGUE

JANUARY 2008

PAGE S08.01

Model	OEM Part	Our Equivalent	Pk	SCHOTT GERATE
TS165 TITRATION RECORDER.		1FD21-R	10	

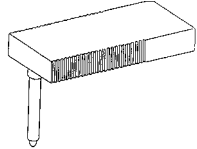


CROWN GRAPHIC

MARKING SYSTEMS CATALOGUE

JANUARY 2008

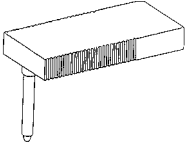
PAGE S09.01

Model	OEM Part	Our Equivalent	Pk	SCIENTIFIC ATLANTA
STRIP CHART RECORDERS.	A164718	1FD29C20-R	5	
	A164719	1FD29C20-B	5	
	A164720	1FD29C20-G	5	
	A164721	1FD29C20-N	5	
	17270-BK3	1CY14-N	5	
	17270-RD3	1CY14-R	5	
	17270-BL3	1CY14-B	5	
	17270-GN3	1CY14-G	5	

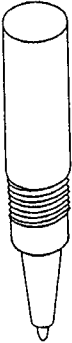
GRAPHIC CONTROLS LTD, ST PETERS QUAY, TOTNES, DEVON, TQ9 5XH, UK

TEL : +44 (0)1803 860100 FAX : +44 (0)1803 863838 EMAIL : sales@crowng.com WEB : http://www.crowng.com

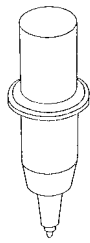
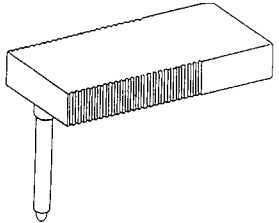


Model	OEM Part	Our Equivalent	Pk	SCINTAG
SW3121, SW3122, SW3123.		1FD29C09-# 1FD29C27-# 1FD29C40-#	5 5 5	
<p>THE AVAILABLE COLOURS FOR THE FD29 FTD PEN SERIES ARE EITHER B,G,N OR V. OTHER COLOURS ARE AVAILABLE ON REQUEST.</p>				

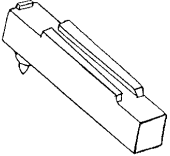
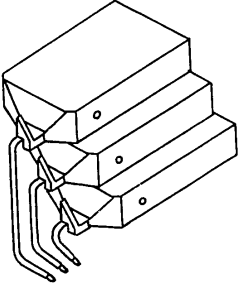

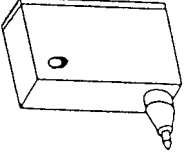
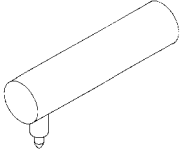
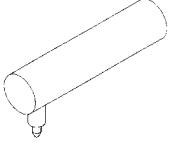


Model	OEM Part	Our Equivalent	Pk	SEFRAM
TGM, TGV, TRP, SR, SRD (SINGLE CH.), PE, P2R.	EX445/1 8835.00019 9081.17090 EX445/2 8835.00020 9081.18090 EX445/3 8835.00021 9081.19090 EX445/4 8835.00022 9081.20090 EX445/5 8835.00023 9081.21090 EX445/6 8835.00024 9081.22090	1CY103P3-R 1CY103P3-B 1CY103P3-G 1CY103P3-N 1CY103P3-V 1CY103P3-M	3 3 3 3 3 3	
	EI943/1-A76N	9A010	1	
		2R360-B 2R360-G 2R360-N 2R360-R 2R360-V	4 4 4 4 4	



Model	OEM Part	Our Equivalent	Pk	SEKONIC
SPL 430, SPL 450, SPL 600, SPL 800, SPL 1000.		1CY20P3-# 1CY20P5-# 1CY20P7-# 1CY20RB-#	5 5 5 5	
SS100P 1P		1FD29C08-#	5	
SS100P 2P		1FD29C08-# 1FD29C34-#	5 5	
<div style="border: 1px solid black; padding: 5px; width: fit-content; margin: 0 auto;"> <p>THE STD COLOURS FOR THE FD29 FTD PEN SERIES ARE EITHER B,G,N,R. OTHER COLOURS ARE AVAILABLE ON REQUEST.</p> </div>				



Model	OEM Part	Our Equivalent	Pk	SENSYCON
04/12, 05/18, 05/19.	224 042	1SD7-R	3	
03/16-11, -12, -13, 03/17-11, -12, -13, 03/19-11, -12, -13, 03/19-31, -32, -33, 03/21-11, -12, -13, 03/21-22, -23.	067 442	1MT471-B	1	
	067 443	1MT472-R	1	
	067 444	1MT473-G	1	
	071 649	1MT474-V	1	
03/06, 03/07, 03/08, 03/09, 03/10, 03/11, 03/14.	224 070 051 030 051 023	1FD50-N 1FD50-R 1FD50-B	6 6 6	
05/01, 04/01, 05/... 12/07, 18/01.	224 006 224 034	1SD5-R 1SD5-B	6 6	
03/12, 03/13.	049 059	1PB716.1MM-R	6	
5/2, 5/3, 5/4, 04/02, 04/03, 04/04, 04/05, 05/02, 05/03, 05/04, 05/06.		1PB719.5MM-B	6	

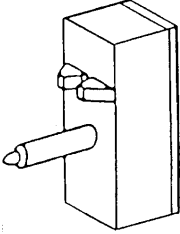


CROWN GRAPHIC

MARKING SYSTEMS CATALOGUE

JANUARY 2008

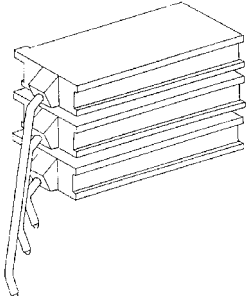

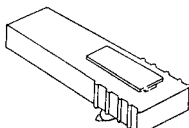
PAGE S13.02

Model	OEM Part	Our Equivalent	Pk	SENSYCON
	224 074	1SD32-B01	6	

GRAPHIC CONTROLS LTD, ST PETERS QUAY, TOTNES, DEVON, TQ9 5XH, UK

TEL : +44 (0)1803 860100 FAX : +44 (0)1803 863838 EMAIL : sales@crowng.com WEB : <http://www.crowng.com>

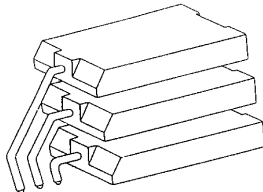
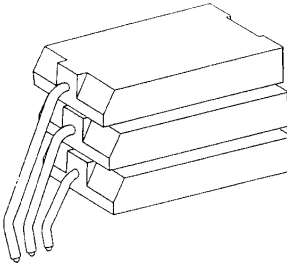
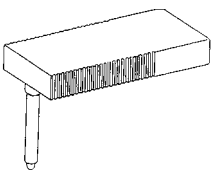



Model	OEM Part	Our Equivalent	Pk	SEREG
EUROPONT X2100, X2200, X2300, X4100, X4200, X4300, X5100, X5200, X5300.	231.1354-30	1MT291-R	1	
	231.1358-10	1MT292-B	1	
	231.1366-29	1MT293-G	1	
TGM, TGV, TRP, SR, SRD (SINGLE CH.), PE, P2R.	EX445/1 8835.00019 9081.17090	1CY103P3-R	3	
	EX445/2 8835.00020 9081.18090	1CY103P3-B	3	
	EX445/3 8835.00021 9081.19090	1CY103P3-G	3	
	EX445/4 8835.00022 9081.20090	1CY103P3-N	3	
	EX445/5 8835.00023 9081.21090	1CY103P3-V	3	
	EX445/6 8835.00024 9081.22090	1CY103P3-M	3	
ECX 1001, ECX 1002.	B22 57 729 B23 12 767	1FD22-R	1	
	B23 12 768	1FD22-B	1	

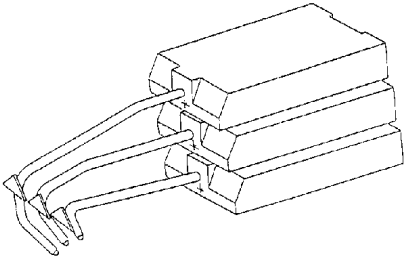
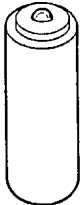

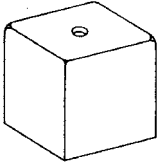
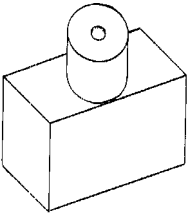


Model	OEM Part	Our Equivalent	Pk	SEREG
APC CEREG RPND		1UD201-B 1UD202-R 1UD203-G	6 6 6	
CEREG RPND		1UD201-B 1UD202-R 1UD203-G 1UD204-V	6 6 6 6	
VISITEST 144 X 72		1MT301-B03 1MT302-G03 1MT303-R03	5 5 5	
VISITEST 144 X 144		1MT304-B03 1MT305-G03 1MT306-R03	5 5 5	
ERP1, R4.	B22 57 291	1CY7-V	6	



Model	OEM Part	Our Equivalent	Pk	SEREG
MODUMAT 100	14.044.591	1MT311-R	1	
	14.044.601	1MT312-G	1	
	14.044.611	1MT313-B	1	
MODUMAT 100 (NEW PEN SERIES).	14.044.592	1MT531-R	1	
	14.044.602	1MT532-G	1	
	14.044.612	1MT533-B	1	
STRIP CHART RECORDERS.	406-657 SU-205-7	1FD29C03-B	5	 
	406-659 SU-205-6	1FD29C03-R	5	
	406-660 SU-205-4	1FD29C32-B	5	
	406-658 406-661 SU-205-3 SU-205-5	1FD29C32-R	5	
	SU-406-92 SU-406-93	1CY51-#	4	
<p>WE OFFER THE CY51 FTD PEN SERIES IN EITHER B,G,N OR R.</p>				



Model	OEM Part	Our Equivalent	Pk	SEREG
APC 70000, APC 71000.		1MT321-G 1MT322-R 1MT323-B	1 1 1	
CAPILLARY SYSTEMS.	97430025 97430026 97430019 97430024 70107201 70111301 91427205 91427206 91427207 91427208	2N500-R 2N500-B 4K227048D 12 TIPS + TOOL 7RB PRIMING BULB 9SE01 9SE02 9SE03 9SE04 9SE05 9SE06	4 4 1 1 1 1 1 1 1 1	 
72 X 144 MODUMAT	97430031 97430032 97430033	2S201-R 2S201-G 2S201-B	4 4 4	
144 X 144 MODUMAT	23990619 97430046 97430047 97430048	2S401-V 2S401-R 2S401-G 2S401-B	4 4 4 4	

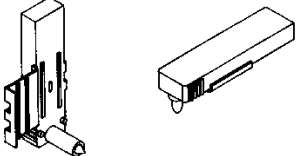


CROWN GRAPHIC


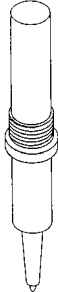

MARKING SYSTEMS CATALOGUE

JANUARY 2008

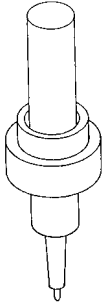
PAGE S15.01

Model	OEM Part	Our Equivalent	Pk	SERVIS
SERIES 1000 TEMP. RECORDER.		1UD151-R	6	



Model	OEM Part	Our Equivalent	Pk	SHIMADZU
SPECTROPHOTO-METRIC RECORDER		1CY1-B01 1CY1-G01 1CY1-N01 1CY1-R01	3 3 3 3	 
<p>THE 1CY15 STYLE PEN WITH A STOP RING COLLAR MAY BE REQUIRED FOR SOME RECORDERS. CHECK CURRENT PEN BEFORE ORDERING.</p>		1CY15-B 1CY15-G 1CY15-N 1CY15-R	5 5 5 5	
	609-60121 609-60122 609-60123 609-65011	2R102-R 2R102-G 2R102-B 2R102-M	3 3 3 3	



Model	OEM Part	Our Equivalent	Pk	SIEMENS	
PLOTTERS C 1601 & C 1604, C 1020, C 1613.	7KC 1901-8 FJ	1CY10P3-N	5		
	7KC 1901-8 FK	1CY10P3-R	5		
	7KC 1901-8 FL	1CY10P3-B	5		
	7KC 1901-8 FM	1CY10P3-G	5		
	7KC 1901-8 FR	1CY10P3-M	5		
	7KC 1901-8 FP	1CY10P3-V	5		
	7KC 1901-8 FS	1CY10P3-O	5		
	7KC 1901-8 FQ	1CY10P3-Y	5		
	7KC 1901-8 FN	1CY10P3-C	5		
	7KC 1901-8 FT	1CY10P3-A	5		
	7KC 1901-8 GV	1CY10P3MIX06 (2x N, 1x RBG)	5		
	<div style="border: 1px solid black; padding: 5px; width: fit-content; margin: 0 auto;"> <p>WE ALSO OFFER A P3, P7 AND A RB TIP OPTION IN THE SAME COLOURS AS LISTED ABOVE.</p> </div>				
	TRANSDATE PLOTTER 9009, 9009-30, 9009-40.	U26-H50	1CY20P3-N		5
U26-H51		1CY20P3-R	5		
U26-H52		1CY20P3-B	5		
U26-H53		1CY20P3-G	5		
U26-H54		1CY20P3-Y	5		
U26-H58		1CY20P3-C	5		
U26-H55		1CY20P3MIX10 (1x RBGNY)	5		
U26-H56		1CY20P3MIX11 (1x NBGVC)	5		
U26-H60		1CY20P7-N	5		
U26-H61		1CY20P7-R	5		
U26-H62		1CY20P7-B	5		
U26-H63		1CY20P7-G	5		
U26-H64		1CY20P7-Y	5		
U26-H68		1CY20P7-C	5		
U26-H65		1CY20P7MIX10 (1x RBGNY)	5		
U26-H66		1CY20P7MIX11 (1x NBGVC)	5		
<div style="border: 1px solid black; padding: 5px; width: fit-content; margin: 0 auto;"> <p>WE ALSO OFFER A P5 AND A RB TIP TYPE OPTION. THE FULL RANGE OF COLOURS FOR THE RANGE IS A,B,C,G,M,N,O,R,V,Y.</p> </div>					

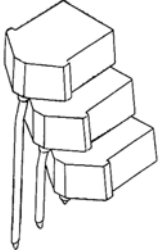
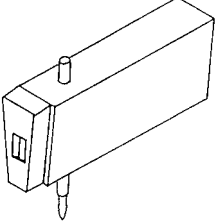

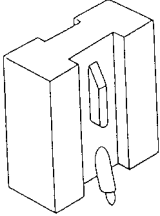


CROWN GRAPHIC

MARKING SYSTEMS CATALOGUE

JANUARY 2008

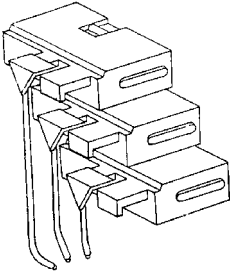
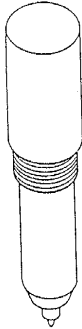
PAGE S17.02

Model	OEM Part	Our Equivalent	Pk	SIEMENS
KOMPENSO- GRAPH X-T, KOMPENSO- GRAPH X-Y, C 1011-8 AA/AB, C 1012-8 AA/AB, C 1924-8 AA/AB, C 1021, C 1022, C 1031-33, C 1924-8, SIREC 3120.	7KC1904-8AB 7KC1904-8AG 7KC1904-8AC 7KC1904-8AH 7KC1904-8AJ	1MT081-R 1MT081-B 1MT082-B 1MT082-R 1MT083-G	1 1 1 1 1	
SIREC 3200 HYBRID RECORDER C1740.	7KC1911-8AL 7KC1911-8AM 7KC1911-8AN 7KC1911-8AP 7KC1911-8AQ 7KC1911-8AR 7KC1911-8AS 7KC1911-8AT	1FD36-N 1FD36-B 1FD36-R 1FD36-G 1FD36-V 1FD36-C 1FD36-M 1FD36-L	3 3 3 3 3 3 3 3	
7ND1330 (MO2188), 7ND1340 (MO2192), 7ND1350 (MO2190), 7ND1360 (MO2194).	7ND9001-8DF 7ND9001-8DA 7ND9001-8DB 7ND9001-8DD 7ND9001-8DE 7ND9001-8DC	1CY7-N 1CY7-R 1CY7-B 1CY7-G 1CY7-M 1CY7-V	6 6 6 6 6 6	
M73949, 7ND 1110, KOMPENSO- GRAPH V TELEPERM (OLD).	M73949-X-A1 M73949-X-A2	1SD21-V 1SD21-R	6 6	

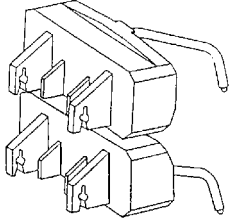
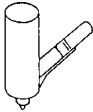
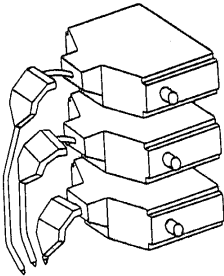
GRAPHIC CONTROLS LTD, ST PETERS QUAY, TOTNES, DEVON, TQ9 5XH, UK

TEL : +44 (0)1803 860100 FAX : +44 (0)1803 863838 EMAIL : sales@crowng.com WEB : http://www.crowng.com



Model	OEM Part	Our Equivalent	Pk	SIEMENS
TELEPERM & TELEPNEU 30 KOMPENSOGRAPH M 73130, M 73138, M 73303, M 73304, 7ND 2100, 7ND 2101, 7ND 2121, 7ND 2123.	7ND 9001 8BL	1MT391-B	1	
	7ND 9001 8BK	1MT391-R	1	
	7ND 9001 8BM	1MT391-G	1	
	7ND 9001 8BP	1MT392-R	1	
	7ND 9001 8BN	1MT392-B	1	
	7ND 9001 8BQ	1MT392-G	1	
	7ND 9001 8BR	1MT393-G	1	
	7ND 9001 8BS	1MT393-R	1	
	7ND 9001 8BT	1MT393-B	1	
	KOMPENSOGRAPH E, M 73914-C...	C72453-A329-B121	1MT331-R	
C72453-A329-B122		1MT332-B	1	
C72453-A329-B123		1MT333-G	1	
XY KOMPENSO- GRAPH M 73923, M 73924.	C72453-A248-B106 C72453-A248-B111	1CY12-B	6	
	C72453-A248-B107 C72453-A248-B112	1CY12-R	6	
	C72453-A248-B108 C72453-A248-B113	1CY12-G	6	
	C72453-A248-BX	1CY12-N	6	
	C72453-A248-B109	1CY12MIX01 (3x BR)	6	

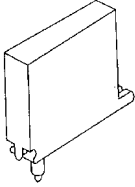




Model	OEM Part	Our Equivalent	Pk	SIEMENS
KOMPENSOGRAPH XT M 73921.	C72452-Z1046-C3 C72452-Z1046-C4 C72452-Z1046-C5 C72452-Z1046-C6	1MT352-R 1MT352-B 1MT351-R 1MT351-B	1 1 1 1	
GALVANOGRAPH T22, T25 FORM 21K T20, T24, T26, T27 FORM 12K, T3, T4, T21 FORM 12L NUMO, T7, T28, T35 FORMS 288x240 & 288x288, T9, T23, T29, FORMS 192x240 & 192x288 (AND OTHER MODELS).	C70429.A58.A9 C70429.A58.A10 <div style="border: 1px solid black; padding: 5px; text-align: center;">AVAILABLE IN EITHER N,R,B,G,M OR V.</div>	1CY11-#	6	
KOMPENSOGRAPH 7ND 2122, 7ND 2124, 7ND 2125. 100mm RECORDING WIDTH PER CH.	7ND 9001 8AA 7ND 9001 8AB 7ND 9001 8AD 7ND 9001 8AE 7ND 9001 8AG	1MT461-R 1MT461-B 1MT462-B 1MT462-R 1MT463-G	1 1 1 1 1	
KOMPENSOGRAPH 7ND 2130, 7ND 2131, 7ND 2132, 7ND 2133, 7ND 2140, 7ND 2141, 7ND 2142, 7ND 2143. 50mm RECORDING WIDTH PER CH.	7ND 9001 8AA 7ND 9001 8AK	1MT461-R 1MT464-R	1 1	



Model	OEM Part	Our Equivalent	Pk	SIEMENS
KOMPENSOGRAPH 7ND 2130, 7ND 2131, 7ND 2132, 7ND 2133, 7ND 2140, 7ND 2141, 7ND 2142, 7ND 2143. 120mm RECORDING WIDTH PER CH.	7ND 9001 8AA	1MT461-R	1	
	7ND 9001 8AB	1MT461-B	1	
	7ND 9001 8AD	1MT462-B	1	
	7ND 9001 8AE	1MT462-R	1	
	7ND 9001 8AG	1MT463-G	1	
KOMPENSOGRAPH 7ND 2130, 7ND 2131, 7ND 2132, 7ND 2133, 7ND 2140, 7ND 2141, 7ND 2142, 7ND 2143. 60mm RECORDING WIDTH PER CH.	7ND 9001 8AA	1MT461-R	1	
	7ND 9001 8AK	1MT464-R	1	
KOMPENSOGRAPH 7ND 2150, 7ND 2151, 7ND 2152, 7ND 2153, 7ND 2160, 7ND 2161, 7ND 2162, 7ND 2163. 210mm RECORDING WIDTH PER CH.	7ND 9001 8AA	1MT461-R	1	
	7ND 9001 8AB	1MT461-B	1	
	7ND 9001 8AD	1MT462-B	1	
	7ND 9001 8AE	1MT462-R	1	
	7ND 9001 8AG	1MT463-G	1	
SIREC 7ND 3125	7ND 9001 8DH	1FD07-N	1	
	7ND 9001 8AB	1MT461-B	1	
	7ND 9001 8AE	1MT462-R	1	
	7ND 9001 8AG	1MT463-G	1	

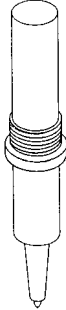
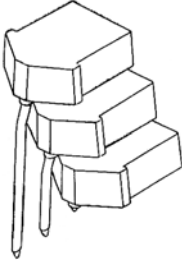


Model	OEM Part	Our Equivalent	Pk	SMITHS INDUSTRIES
SERVOSCRIBE S, 15, 541, 511.	ZB470	9GR01	1	
IF A FTD PEN IS REQUIRED FOR THE ABOVE RECORDERS THEN USE THE PENS LISTED BELOW.				
	ZB335/R ZB335/B	1FD20-R 1FD20-B	2 2	
		1FD20-N 1FD20-G	2 2	
SERVOSCRIBE 520	ZB216/R ZB216/G	2SN375-R 2SN375-G	4 4	
SERVOSCRIBE 2S, 570.				
STEEL TIP PENS.	ZB473 ZB474	9GR02 9GR03	1 1	
FIBRE TIP PENS.	ZB473/FT ZB474/FT	9GR02FT 9GR03FT	1 1	
INK CARTRIDGE	ZB477/R ZB477/B ZB477/G	2ZB01-R 2ZB01-B 2ZB01-G	1 1 1	
WRITING TIPS	REM5549	4K227048DX4	1	2ZB01

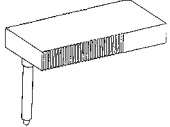
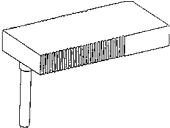
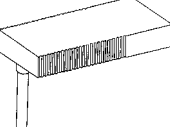
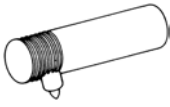
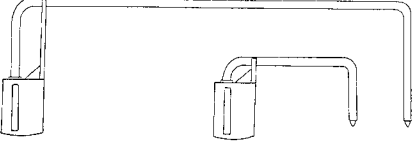


Model	OEM Part	Our Equivalent	Pk	SMITHS INDUSTRIES
<p>FTD CONVERSIONS FOR THE OLDER 2 CHANNEL RECORDERS "2S", (RE520.20 POTENTIOMETRIC RECORDER), RE560 & RE570, WE LIST THESE BELOW AGAINST THE METAL PEN REFS. A CONVERSION CLIP (9K21) IS REQUIRED TO ADAPT EACH CHANNEL. SERVOSCRIBE 520 CANNOT BE ADAPTED.</p>				
	ZB472 LOWER CH.	1MT211-R	2	
	ZB474 UPPER CH.	1MT212-B	2	
	LD571A CONV CLIP	9K21	1	
SERVOSCRIBE 15, 541, 511.	AT4325/R AT4325/B	1CY6-R 1CY6-B	5 5	
SERVOSCRIBE M, MINIGOR 510.	ZB505.74 ZB505.75	1CY4-R 1CY4-B	5 5	

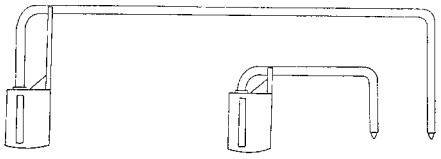
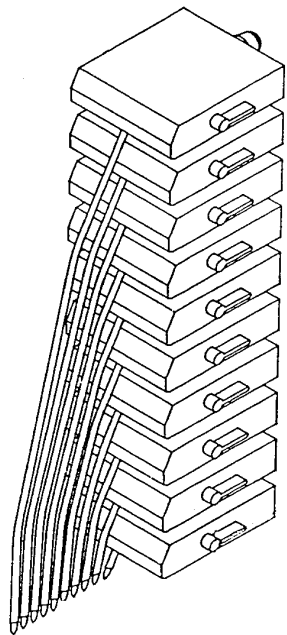


Model	OEM Part	Our Equivalent	Pk	SMITHS INDUSTRIES
PLOTTERS 731, 732, 733, 743.	ZB553.00 ZB553.74 ZB553.75 ZB553.76	1CY15-R 1CY15-B 1CY15-N 1CY15-G	5 5 5 5	
SERVOSCRIBE 200	ZB536.74 ZB536.75	1MT081-R 1MT082-B	1 1	
SERVOSCRIBE 300, SE 300.	ZB536.74 ZB536.75 ZB536.76	1MT081-R 1MT082-B 1MT083-G	1 1 1	

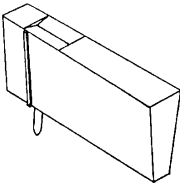
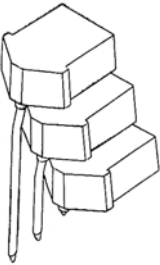
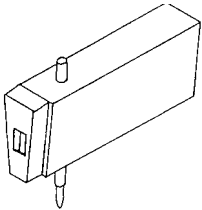
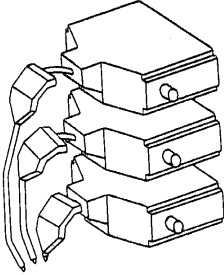


Model	OEM Part	Our Equivalent	Pk	SOLTEC
4201, 6723, 4202.	PF-0701	1FD29C05-R	5	
	PF-0702	1FD29C26-N	5	
1241, 1242.	PF-1201	1FD29C05-R	5	
	PF-1206	1FD29C32-G	5	
	PF-0101	1FD29C09-R	5	
	PF-0102	1FD29C09-N	5	
	PF-0103	1FD29C31-B	5	
	PF-0104	1FD29C31-G	5	
	PF-0001	1PB3-R03	5	
	PF-0002	1PB3-N03	5	
	PF-0003	1PB3-B03	5	
	PF-0006	1PB3-G03	5	
DB SERIES, KA SERIES, KB SERIES.	PF-0301	1MT01A1-R	1	
	PF-0302	1MT01A2-N	1	
	PF-0303	1MT01A3-B	1	
	PF-0304	1MT01A4-M	1	
	PF-0305	1MT01A5-V	1	
	PF-0306	1MT01A6-G	1	

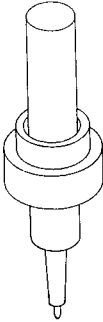
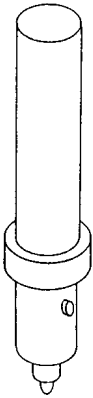


Model	OEM Part	Our Equivalent	Pk	SOLTEC
B16-36, B106, 606, B161-361, B181-381, B1061-6061.	PF-0901 PF-0401	1MT01B1-R	1	
	PF-0902 PF-0402	1MT01B2-N	1	
	PF-0903 PF-0403	1MT01B3-B	1	
	PF-0904 PF-0905 PF-0906	1MT01B4-M 1MT01B5-V 1MT01B6-G	1 1 1	
<p>NOTE THAT THE MT01 FTD SERIES CANNOT BE USED CONCURRENTLY WITH SOLTEC ORIGINALS, ALL CHANNELS MUST BE CHANGED OVER.</p>				
R-01, 02, 03, R-52, -54, -56, -302, -304, -306.	PF-2001	1MT711-R	1	
	PF-2002	1MT712-N	1	
	PF-2003	1MT713-B	1	
	PF-2004	1MT714-M	1	
	PF-2005	1MT715-V	1	
	PF-2006	1MT716-G	1	
R-5X, R-308.	PF-2007	1MT717-A	1	
	PF-2008	1MT718-C	1	
	PF-2009	1MT719-Y	1	
	PF-2010	1MT710-L	1	



Model	OEM Part	Our Equivalent	Pk	SOLTEC
3310 SERIES	PF-0501 PF-0502 PF-0503 PF-0504 PF-0505 PF-0506 PF-0507 PF-0508 PF-0509 PF-0510	1FD21-R 1FD21-N 1FD21-B 1FD21-M 1FD21-V 1FD21-G 1FD21-O 1FD21-C 1FD21-A 1FD21-L	10 10 10 10 10 10 10 10 10 10	
1200 & 1300 SERIES	PF-0601 PF-0602 PF-0603	1MT081-R 1MT082-N 1MT083-B	1 1 1	
500 & 520 SERIES	PF-3801 PF-3802 PF-3803 PF-3804 PF-3805 PF-3806 PF-3808 PF-3810	1FD36-R 1FD36-N 1FD36-B 1FD36-M 1FD36-V 1FD36-G 1FD36-C 1FD36-L	3 3 3 3 3 3 3 3	
7ND 212x	PF-1501 PF-1503 PF-1506	1MT461-R 1MT462-B 1MT463-G	1 1 1	



Model	OEM Part	Our Equivalent	Pk	SOLTEC	
281 DIGITAL PLOTTER.	PF-1121	1CY10P3-R	5		
	PF-1122	1CY10P3-N	5		
	PF-1123	1CY10P3-B	5		
	PF-1124	1CY10P3-M	5		
	PF-1126	1CY10P3-G	5		
	PF-1127	1CY10P3-A	5		
	PF-1128	1CY10P3-C	5		
	PF-1129	1CY10P3-Y	5		
			1CY10P3-O		5
			1CY10P3-V		5
		PF-1101	1CY10P5-R		5
		PF-1102	1CY10P5-N		5
		PF-1103	1CY10P5-B		5
		PF-1104	1CY10P5-M		5
		PF-1106	1CY10P5-G		5
		PF-1107	1CY10P5-A		5
		PF-1108	1CY10P5-C		5
		PF-1109	1CY10P5-Y		5
			1CY10P5-O		5
			1CY10P5-V		5
<p>WE ALSO OFFER A P7 AND RB TIP OPTION. THE COLOURS AVAILABLE ARE THE SAME AS ABOVE.</p>					
RW-21T, RW-201T. SHORT BODY.	PF-3001	1CY13-R	5		
	PF-3002	1CY13-N	5		
LONG BODY.	PF-3001	1CY14-R	5		
	PF-3002	1CY14-N	5		



CROWN GRAPHIC

MARKING SYSTEMS CATALOGUE

JANUARY 2008

PAGE S19.05

Model	OEM Part	Our Equivalent	Pk	SOLTEC
PRIMELINE	PF-3305	1MT231-V	2	
	PF-3301	1MT232-R	2	

GRAPHIC CONTROLS LTD, ST PETERS QUAY, TOTNES, DEVON, TQ9 5XH, UK

TEL : +44 (0)1803 860100 FAX : +44 (0)1803 863838 EMAIL : sales@crowng.com WEB : http://www.crowng.com

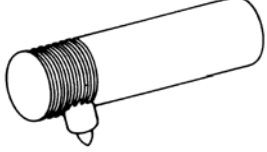


CROWN GRAPHIC

MARKING SYSTEMS CATALOGUE

JANUARY 2008

PAGE S20.01

Model	OEM Part	Our Equivalent	Pk	SPARLING ENVIROTECH
CIRCULAR CHART RECORDERS 275, 227, 229.	26657-000-300-00	1PB3-R04	5	

GRAPHIC CONTROLS LTD, ST PETERS QUAY, TOTNES, DEVON, TQ9 5XH, UK

TEL : +44 (0)1803 860100 FAX : +44 (0)1803 863838 EMAIL : sales@crowng.com WEB : <http://www.crowng.com>