
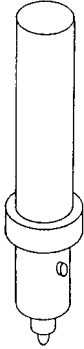





Model	OEM Part	Our Equivalent	Pk	WANG
2232 FLATBED PLOTTERS A & B.	725-0466-0 725-0466-2 725-0466-6	1CY51-N 1CY51-R 1CY51-B	4 4 4	
2212 FLATBED PLOTTER	725-0454-G 725-0455-G 725-0456-G 725-0457-G	1CY14P3-R 1CY14P3-B 1CY14P3-G 1CY14P3-N	5 5 5 5	
2272 DRUM PLOTTER	725-0473-0 725-0473-2 725-0473-5 725-0473-6	1CY1P3-N01 1CY1P3-R01 1CY1P3-G01 1CY1P3-B01	3 3 3 3	
<div style="border: 1px solid black; padding: 5px; width: fit-content; margin: 0 auto;"> <p>WE CAN ALSO SUPPLY A P5, P7 OR RB TIP OPTION. IN THE SAME COLOURS AS LISTED ABOVE.</p> </div>				

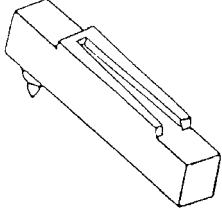
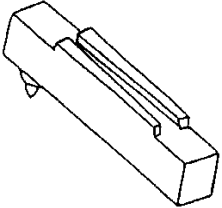


CROWN GRAPHIC

MARKING SYSTEMS CATALOGUE

JANUARY 2008

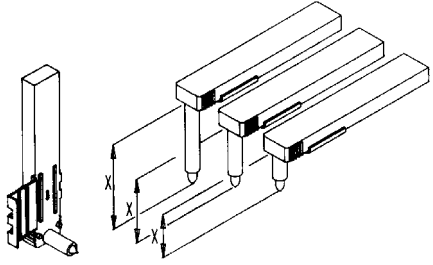
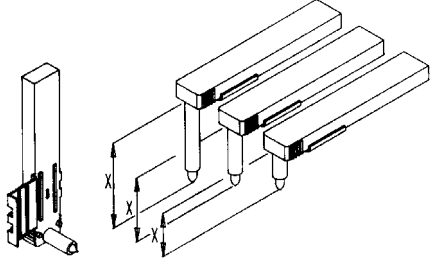
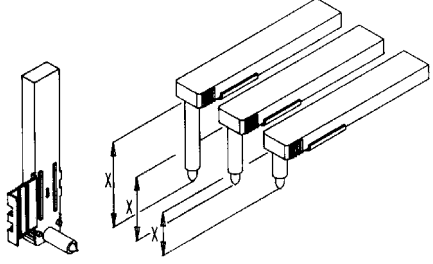
PAGE W02.01

Model	OEM Part	Our Equivalent	Pk	WEATHERMEASURE
	1070 1071 1072	1SD11-R 1SD11-B 1SD11-N	6 6 6	
		1SD13-R 1SD13-V	5 5	

GRAPHIC CONTROLS LTD, ST PETERS QUAY, TOTNES, DEVON, TQ9 5XH, UK

TEL : +44 (0)1803 860100 FAX : +44 (0)1803 863838 EMAIL : sales@crowng.com WEB : <http://www.crowng.com>



Model	OEM Part	Our Equivalent	Pk	WEKSLER
	ORIGINAL METAL CAPILLARY PENS.	9M272451 9M272452 9M272453	1 1 1	
<div style="border: 1px solid black; padding: 5px; width: fit-content; margin: 0 auto;"> <p>WHEN ORDERING PLEASE SPECIFY WETHER A STEEL OR SAPPHIRE TIP IS WANTED.</p> </div>				
CONVERTED 6" RECORDER. 1 OR 2 PEN.	M25-36 * M25-37 M13-766 * M13-767	1UD242-R ** 1UD243-B 9KUD19712	6 6 1	
<div style="border: 1px solid black; padding: 5px; width: fit-content; margin: 0 auto;"> <p>** USE PEN 1UD243-B FOR 6" CHART SIZE SINGLE PEN RECORDERS MADE PRIOR TO JAN 1 1987 (SERIAL # R86-4083 OR EARLIER).</p> </div>				
CONVERTED 8" RECORDER. 1 OR 2 PEN. 3 PEN.	M25-36 * M25-37 M13-765 * M13-768 M25-36 * M25-37 M25-38 M13-765 * M13-768 M13-769	1UD242-R 1UD243-B 1UD242-R 1UD243-B 1UD244-G	6 6 6 6 6	



Model	OEM Part	Our Equivalent	Pk	WEKSLER
CONVERTED 10" RECORDERS. 1 OR 2 PEN. 3 OR 4 PEN.	M25-36 *	1UD242-R	6	
	M25-37	1UD243-B	6	
	M13-770 *			
	M13-771	9KUD19432	1	
	M25-36 *	1UD242-R	6	
	M25-37	1UD243-B	6	
	M25-38	1UD244-G	6	
	M25-39			
	M13-770 *			
	M13-771	9KUD19432	1	
M13-772	9KUD19442	1		
M13-773	9KUD19462	1		
CONVERTED 12" RECORDERS. 1 OR 2 PEN. 3 OR 4 PEN.	M25-36 *	1UD242-R	6	
	M25-37	1UD243-B	6	
	M13-774 *			
	M13-775			
	M25-36 *	1UD242-R	6	
	M25-37	1UD243-B	6	
	M25-38	1UD244-R	6	
	M25-39			
	M13-774 *			
	M13-775			
M13-776				
M13-777				
<div style="border: 1px solid black; padding: 5px; display: inline-block;"> * INDICATES TIME LINE PEN. </div>				

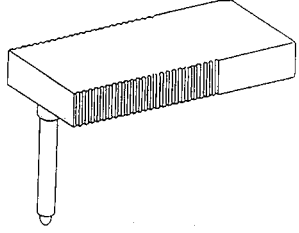


CROWN GRAPHIC

MARKING SYSTEMS CATALOGUE

JANUARY 2008

PAGE W04.01

Model	OEM Part	Our Equivalent	Pk	WELL REC
STRIP CHART RECORDERS.	14503	1FD29C03-B	5	
	12029	1FD29C18-N	5	
	14504	1FD29C20-R	5	
	14505	1FD29C32-N	5	

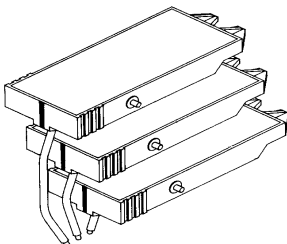
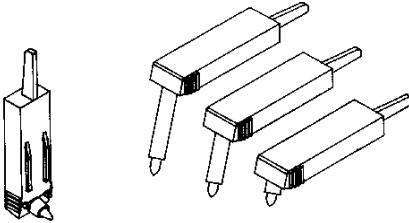
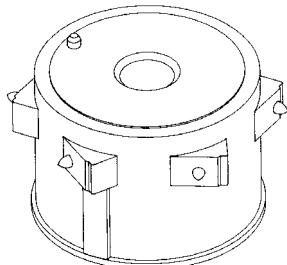


CROWN GRAPHIC


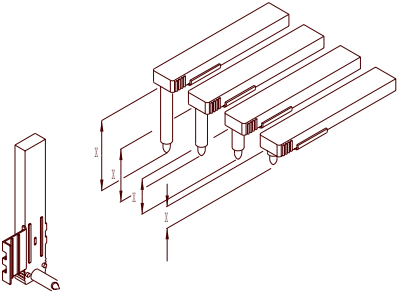
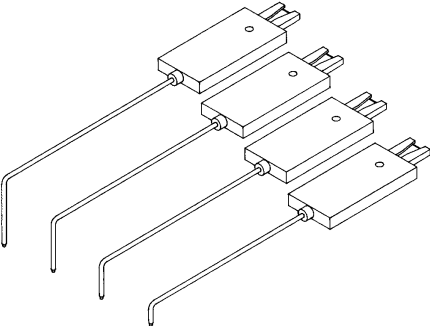
MARKING SYSTEMS CATALOGUE

JANUARY 2008

PAGE W05.01

Model	OEM Part	Our Equivalent	Pk	WEST
100C	46187001-001	1MX151-B	1	
	46187001-002	1MX152-R	1	
	46187001-003	1MX153-G	1	
7000		1UD131-#	5	
		1UD132-#	5	
		1UD133-#	5	
100D		6PW14	1	



Model	OEM Part	Our Equivalent	Pk	WESTINGHOUSE
RING BALANCE METERS 12" CIRCULAR & OPTIMAC 4" STRIP CHART RECS.	170085-1 170085-2 170085-3 170085-4	2N300-R 2N300-B 2N300-G 2N300-V	4 4 4 4	
<p style="text-align: center;">WE OFFER TWO CONVERSIONS OF THE ORIGINAL CAPILLARY SYSTEM TO EITHER OUR 1UD24 FTD PEN SERIES OR OUR 1MX04 FTD PEN SERIES.</p>				
RING BALANCE METERS 2000, 3000, 4000, 5000, 6000 (12") (CALGON ONLY)	170082-1 170082-2 170082-3 170082-4 189272	9KUD1933 9KUD1932 9KUD1931 9KUD1931 9KUD1934 1UD241-# 1UD242-# 1UD243-# 1UD244-#	1 1 1 1 1 6 6 6 6	
<p style="text-align: center;">WE CAN SUPPLY THE 1UD24 SERIES IN A VARIETY OF COLOURS, EITHER B,G,N,R OR V.</p>				
12" RING BALANCE METERS, 2000, 3000, 4000, 5000, 6000.		1MX04300-# 1MX04510-# 1MX04720-# 1MX04930-#	3 3 3 3	
<p style="text-align: center;">WE CAN SUPPLY THE 1MX04 PEN SERIES IN A VARIETY OF COLOURS, EITHER B,G,R OR V.</p>				



Model	OEM Part	Our Equivalent	Pk	WESTINGHOUSE
VERITRAK 55R 4" STRIP CHART RECORDERS.	01B46045 B01	9K511 (INNER) 1MT511-G	1 3	
	01B46044 B01	9K512 (MID) 1MT512-R	1 3	
	01B46046 B01	9K513 (OUTER) 1MT513-B	1 3	
<div style="border: 1px solid black; padding: 5px; width: fit-content; margin: 0 auto;"> <p>THE NEW MT514-6 SERIES (BELOW) WILL REPLACE THE ORIGINAL MT511-3 RANGE (ABOVE). THE MT511-3 RANGE IS STILL AVAILABLE TO THOSE WHO HAVE ALREADY CONVERTED.</p> </div>				
MODEL 55R & 56R	1A98120 H01 1B98118 B01 01B46045 B01	9K514 1MT514-G	1 3	
	1A98119 H01 1B98117 B01 01B46044 B01	9K515 1MT515-R	1 3	
	1A98121 H01 1B98116 B01 01B46046 B01	9K516 1MT516-B	1 3	



CROWN GRAPHIC

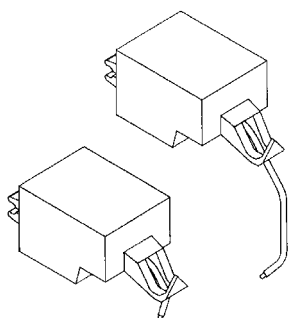
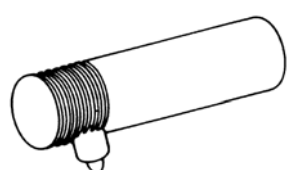
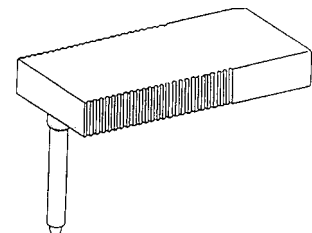
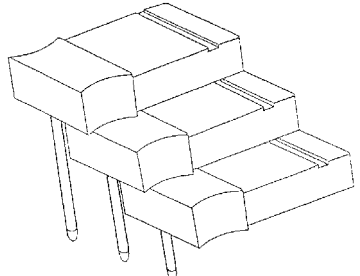
MARKING SYSTEMS CATALOGUE

JANUARY 2008

PAGE W06.03

Model	OEM Part	Our Equivalent	Pk	WESTINGHOUSE
	01-47615A01 01-47615A02 01-47615A03	3OZ1-R01 3OZ1-G01 3OZ1-B01	1 1 1	
TYPE 45	1477B55G04 1477B55G01	1UD24537-R	6	

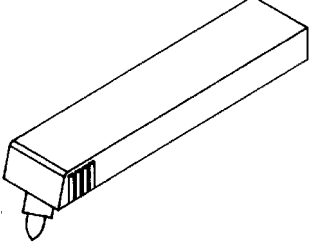


Model	OEM Part	Our Equivalent	Pk	WESTRONICS
ES5200	EB76503-00 EB76504-00	1MT991-R 1MT992-B	1 1	
FB5E, FB11E	763-68-001 763-68-002	1PB3-N01 1PB3-R01	5 5	
S4E, D4E, T4E, S11E, D11E, S5E, STET.	RM-668-05-01 RM-668-05-02 RM-668-05-03 RM-668-05-04 RM-668-07-01 RM-668-07-02 RM-668-07-03 RM-668-07-04 RM-668-04-01 RM-668-04-02 RM-668-04-03 RM-668-04-04 RM-668-06-01 RM-668-06-04	1FD29C03-R 1FD29C03-B 1FD29C03-G 1FD29C03-N 1FD29C19-B 1FD29C19-R 1FD29C19-N 1FD29C19-G 1FD29C22-R 1FD29C22-B 1FD29C22-G 1FD29C22-N 1FD29C32-R 1FD29C32-B	5 5 5 5 5 5 5 5 5 5 5 5 5 5	
1510, 1520, 1530.	RM100220-01 RM100221-01 RM100222-01	1MT851-R 1MT852-G 1MT853-B	5 5 5	

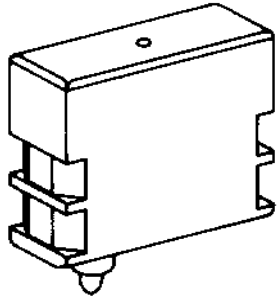
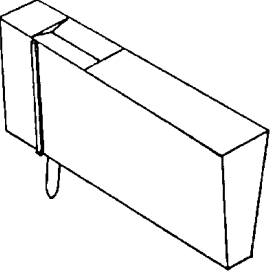


Model	OEM Part	Our Equivalent	Pk	WESTRONICS
1110, 1120, 1130 MINIATURE RECORDERS.	RM100-140-01	1MX141-R	3	
	RM100-141-01	1MX142-B	3	
	RM100-142-01	1MX143-G	3	
4000, 4200.	RM100-170-01	1MX011-R	2	
	RM100-171-01	1MX012-B	2	
	RM100-172-01	1MX013-G	2	
	RM100-173-01	1MX014-V	2	
1600	RM100-470	1MX221-R	3	
	RM100-471	1MX222-G	3	
	RM100-472	1MX223-B	3	
	RM100-473	1MX224-V	3	
1200	RM100-504	1MX231-R	3	
	RM100-505	1MX232-G	3	
	RM100-506	1MX233-B	3	

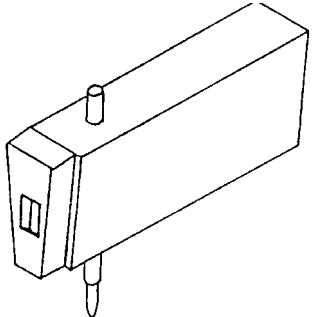



Model	OEM Part	Our Equivalent	Pk	WHITE BOX
CT485 SERIES, CT585 SERIES.	CT485-PR CT585-PR	1UD121-R	1	
	CT485-PB CT585-PB	1UD121-B	1	
	CT485-PS	1UD12MIX01 (1x RB)	2	
	CT585-PS:C4	1UD121MIX02 (1x RG)	2	
	CT585-PS-6:C4	1UD121MIX03 (6x RG)	12	



Model	OEM Part	Our Equivalent	Pk	W & W ELECTRONIK
600 SERIES (UPTO SERIAL No 531 3673)	11-0078 11-0081	1FD27-R	6	
	11-0080 11-0083	1FD27-N	6	
	11-0079 11-0082	1FD27-B	6	
		1FD27-M	6	
		1FD27-V	6	
		1FD27-G	6	
MCR330, MCR340, 306, 312, 314, 316, 318, 600, 900, 300, 310, 340, 500, 320, 342, 344, 346.	11-0102.1 15-0250/3 WW REC P5 RE-5	1FD21-R	10	
	11-0100.5 15-0253/3 WW REC P5 BL-5	1FD21-N	10	
	11-0101.3 15-0252/3 WW REC P5 BU-5	1FD21-B	10	
	11-0118.7	1FD21-M	10	
	11-0121.1 11-0119.5 15-0255/3 WW REC P5 VI-5	1FD21-V	10	
	11-0103.9 15-0251/3 WW REC P5 GR-5	1FD21-G	10	
	11-0120.3 15-0254/3 WW REC P5 OR-5	1FD21-O	10	
	11-0258 15-0354/3 WW REC P5 YG-5	1FD21-L	10	



Model	OEM Part	Our Equivalent	Pk	W & W ELECTRONIK
500, 500SP, 520, 540, PCR500, DCR520C, DCR540, DCR520F.	15.043.9 WW REC P5 BL-5	1FD36-N	3	
	15.045.6 WW REC P5 BU-5	1FD36-B	3	
	15.046.4 WW REC P5 RE-5	1FD36-R	3	
	15.047.2 WW REC P5 GR-5	1FD36-G	3	
	15.048.0 WW REC P5 VI-5	1FD36-V	3	
	15.049.8 WW REC P5 TR-5	1FD36-C	3	
	15.040.6 WW REC P5 BR-5	1FD36-M	3	
	15.041.4 WW REC P5 YG-5	1FD36-L	3	
SERIES 1100	11-0034 11-0059 11-0062	1CY6-R	5	
	11-0049 11-0060 11-0061	1CY6-B	5	
1001, 1011, 1100, 1102, 1107, 3212, 4301.	4604	1CY1-N01 1CY1-R01 1CY1-B01 1CY1-G01	3 3 3 3	