



CROWN GRAPHIC

**MARKING SYSTEMS CATALOGUE
UNIVERSAL PEN SECTION**

JANUARY 2008

DESCRIPTION	BODY LG	X-DIM	Pk	
<p>1UD10</p> <p>THIS RANGE OF PENS IS FOR USE IN PLACE OF THE UNIVERSAL STANDARD 1UD15 PEN RANGE WHEN THE CUSTOMER REQUIRES A WIDER LINE WIDTH.</p> <p>1UD101 30mm 3.5mm 6 1UD102 30mm 9.4mm 6 1UD103 30mm 15.2mm 6 1UD104 30mm 21.1mm 6</p> <p>THE FOLLOWING COLOURS ARE AVAILABLE IN ALL CHANNELS, BLUE, GREEN, BLACK, RED AND VIOLET.</p>				
<p>1UD11</p> <p>THIS IS A UNIVERSAL ANGLED NIB BOSS VERSION OF OUR 1UD24 PEN SERIES.</p> <p>1UD111 25mm 3.7mm 6 1UD112 25mm 10.2mm 6 1UD113 25mm 16.5mm 6 1UD114 25mm 22.9mm 6</p> <p>THE FOLLOWING COLOURS ARE AVAILABLE IN ALL CHANNELS, BLUE, GREEN, BLACK, RED AND VIOLET.</p> <p>THESE PENS EQUATE TO :- G.C. SERIES 32 D/N SERIES F51720/1/2/3.</p>				



CROWN GRAPHIC

MARKING SYSTEMS CATALOGUE UNIVERSAL PEN SECTION

JANUARY 2008

DESCRIPTION	BODY LG	X-DIM	Pk	
<p>1UD14</p> <p>1UD141 20mm 3.5mm 6 1UD142 20mm 9.4mm 6 1UD143 20mm 15.2mm 6 1UD144 20mm 21.1mm 6</p> <p>THE FOLLOWING COLOURS ARE AVAILABLE IN ALL CHANNELS, BLUE, GREEN, BLACK, RED AND VIOLET.</p> <p>THESE PENS EQUATE TO :- G.C. SERIES 60 D/N SERIES F51716/7/8/9.</p>				
<p>1UD15</p> <p>IF WHEN USING THESE 1UD15 UNIVERSAL SERIES PENS A WIDER LINE WIDTH IS REQUIRED THEN REFER TO OUR 1UD10 UNIVERSAL SERIES PEN SECTION.</p> <p>1UD151 30mm 3.5mm 6 1UD152 30mm 9.4mm 6 1UD153 30mm 15.2mm 6 1UD154 30mm 21.1mm 6</p> <p>THE FOLLOWING COLOURS ARE AVAILABLE IN ALL CHANNELS, BLUE, GREEN, BLACK, RED AND VIOLET.</p>				



CROWN GRAPHIC

MARKING SYSTEMS CATALOGUE UNIVERSAL PEN SECTION

JANUARY 2008

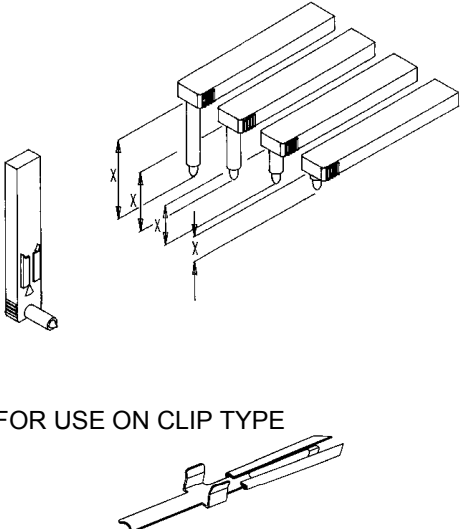
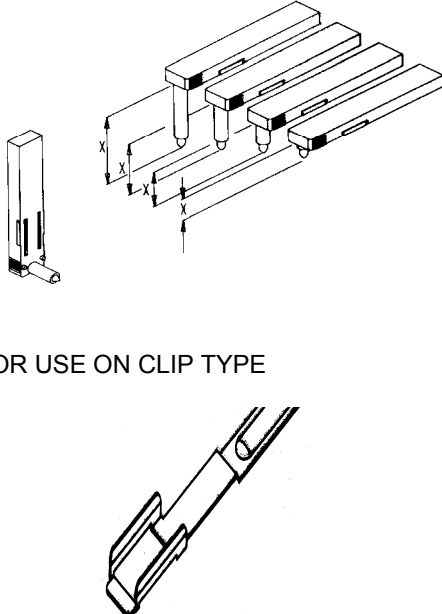
DESCRIPTION	BODY LG	X-DIM	Pk																	
<p>1UD18</p> <p>THE FOLLOWING RANGE OF PENS ARE FOR USE IN PLACE OF OUR UNIVERSAL STANDARD 1UD24 PEN RANGE WHEN CUSTOMERS REQUIRE A WIDER LINE WIDTH.</p> <table border="0"> <tr> <td>1UD181</td> <td>45mm</td> <td>3.5mm</td> <td>6</td> </tr> <tr> <td>1UD182</td> <td>45mm</td> <td>9.4mm</td> <td>6</td> </tr> <tr> <td>1UD183</td> <td>45mm</td> <td>15.2mm</td> <td>6</td> </tr> <tr> <td>1UD184</td> <td>45mm</td> <td>21.1mm</td> <td>6</td> </tr> </table> <p>THE FOLLOWING COLOURS ARE AVAILABLE IN ALL CHANNELS BLUE, GREEN, BLACK, RED AND VIOLET.</p>	1UD181	45mm	3.5mm	6	1UD182	45mm	9.4mm	6	1UD183	45mm	15.2mm	6	1UD184	45mm	21.1mm	6				
1UD181	45mm	3.5mm	6																	
1UD182	45mm	9.4mm	6																	
1UD183	45mm	15.2mm	6																	
1UD184	45mm	21.1mm	6																	
<p>1UD19</p> <p>THESE 1UD19 SERIES PENS ARE ONLY AVAILABLE AS A NO CLIP OPTION FOR THOSE CUSTOMERS WHO MAY HAVE SUCH REQUIREMENTS. IF YOU REQUIRE CLIPS PLEASE USE OUR 1UD24 PEN SERIES.</p> <table border="0"> <tr> <td>1UD191</td> <td>45mm</td> <td>3.5mm</td> <td>6</td> </tr> <tr> <td>1UD192</td> <td>45mm</td> <td>9.4mm</td> <td>6</td> </tr> <tr> <td>1UD193</td> <td>45mm</td> <td>15.2mm</td> <td>6</td> </tr> <tr> <td>1UD194</td> <td>45mm</td> <td>21.1mm</td> <td>6</td> </tr> </table> <p>THE FOLLOWING COLOURS ARE AVAILABLE IN ALL CHANNELS, BLUE, GREEN, RED AND BLACK.</p>	1UD191	45mm	3.5mm	6	1UD192	45mm	9.4mm	6	1UD193	45mm	15.2mm	6	1UD194	45mm	21.1mm	6				
1UD191	45mm	3.5mm	6																	
1UD192	45mm	9.4mm	6																	
1UD193	45mm	15.2mm	6																	
1UD194	45mm	21.1mm	6																	



CROWN GRAPHIC

MARKING SYSTEMS CATALOGUE UNIVERSAL PEN SECTION

JANUARY 2008

DESCRIPTION	BODY LG	X-DIM	Pk	
<p>1UD20</p> <p>1UD201 45mm 3.3mm 6 1UD202 45mm 9.2mm 6 1UD203 45mm 15.0mm 6 1UD204 45mm 20.75mm 6</p> <p>THE FOLLOWING COLOURS ARE AVAILABLE IN ALL CHANNELS BLUE, GREEN, BLACK, RED AND VIOLET.</p> <p>THESE PENS EQUATE TO :- G.C. SERIES 57 D/N SERIES F51270/1/2 F51300.</p>				 <p>FOR USE ON CLIP TYPE</p>
<p>1UD23</p> <p>1UD231 45mm 3.5mm 2 1UD232 45mm 9.4mm 2 1UD233 45mm 15.2mm 2 1UD234 45mm 21.1mm 2</p> <p>THE FOLLOWING COLOURS ARE AVAILABLE IN ALL CHANNELS, BLUE, GREEN, BLACK, RED AND VIOLET.</p> <p>THESE PENS EQUATE TO:- G.C. SERIES 88 D/N SERIES F51356/7/8/9 F51672/3/4/5.</p>				 <p>FOR USE ON CLIP TYPE</p>



CROWN GRAPHIC

**MARKING SYSTEMS CATALOGUE
UNIVERSAL PEN SECTION**

JANUARY 2008

DESCRIPTION	BODY LG	X-DIM	Pk	
<p>1UD24</p> <p>IF WHEN USING THESE 1UD24 UNIVERSAL SERIES PENS A WIDER LINE WIDTH IS REQUIRED THEN REFER TO OUR 1UD18 UNIVERSAL SERIES PEN SECTION.</p> <p>1UD241 45mm 3.5mm 6 1UD242 45mm 9.4mm 6 1UD243 45mm 15.2mm 6 1UD244 45mm 21.1mm 6</p> <p>THE FOLLOWING COLOURS ARE AVAILABLE IN ALL CHANNELS, BLUE, GREEN, BLACK, RED AND VIOLET.</p> <p>THESE PENS EQUATE TO :- G.C. SERIES 39 D/N SERIES F51712/3/4/5.</p>				<p>FOR USE ON HOLDER TYPE</p>
<p>1UD30</p> <p>1UD301 32mm 7.7mm 6 1UD302 32mm 14.8mm 6 1UD303 32mm 21.9mm 6</p> <p>THE FOLLOWING COLOURS ARE AVAILABLE IN ALL CHANNELS, BLUE, GREEN, BLACK AND RED.</p> <p>THESE PENS EQUATE TO :- SANFORD RP1-74102, RP2-74203, RP3-74301.</p>				