



CROWN GRAPHIC

MARKING SYSTEMS CATALOGUE

AUGUST 2004

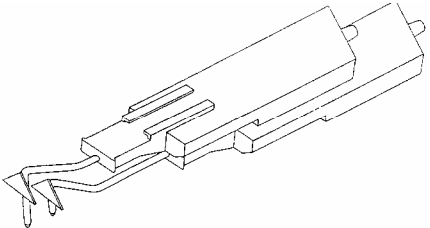
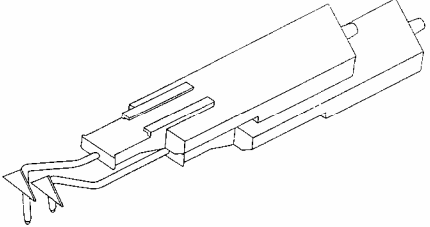
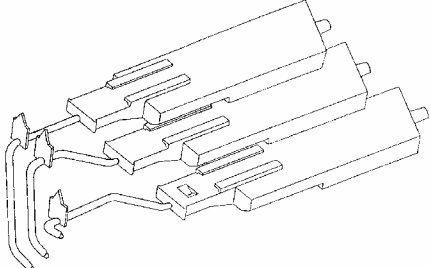
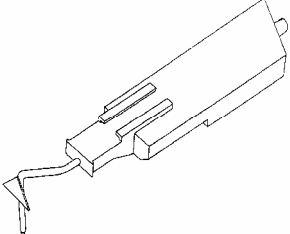
PAGE A01.01

Model	OEM Part	Our Equivalent	Pk	ABB KENT-TAYLOR
<u>FOSTER CAMB.</u>				
P100L, P101L, P100S	P100L/1095	1MT131-R	3	
P102L	P100L/1095 P102L/0151	1MT131-R 1MT132-G	3 3	
P100M, P103L	P100L/1095 P100M/0056 P103L/0061 P103L/0062 P103L/0060	1MT131-R 1MT133-G 1MT134-V 1MT13-MIX04 (1-R, 3-G, 4-V)	3 3 3 3	
<u>FOSTER CAMB.</u>				
P613, P633	P600/0252	6PW02	1	
P616, P634, P636	P600/0253	6PW03	2	
P600	P600M/0006	6PW04	2	
<u>TAYLOR.</u>				
800JD1, 800JD2 Model B,	54S39RTA 54S41BTA	1MT402-R 1MT403-B	3 3	
90 J Model A, 91 J Model A, 490 J, 700J D/F, 700JD1, JF1/2/3,	54S41BTA 54S39RTA 54S42GTA	1MT403-B 1MT402-R 1MT401-G	3 3 3	
1311J, 1312J, 1313J	54S41GTA 54S39RTA 54S127BTA	1MT403-G 1MT402-R 1MT431-B	3 3 3	

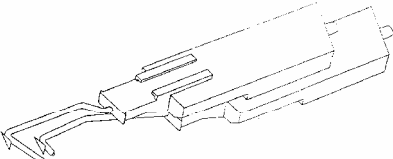
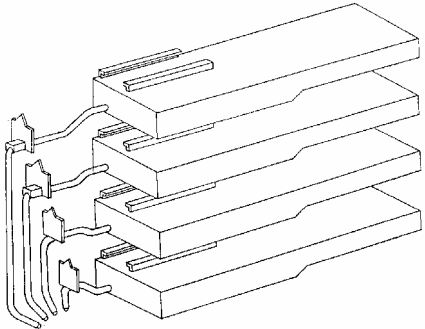
CROWN GRAPHIC LTD, ST PETERS QUAY, TOTNES, DEVON, TQ9 5XH, UK

TEL : +44 (0)1803 860100 FAX : +44 (0)1803 863838 EMAIL : sales@crowng.com WEB : http://www.crowng.com



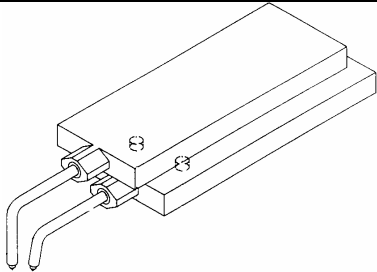
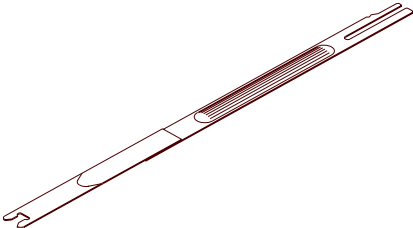


Model	OEM Part	Our Equivalent	Pk	ABB KENT-TAYLOR
<u>TAYLOR.</u> 830JD1 Model B (OLD), 870JD1 (OLD), 870N (OLD), 871N (OLD), 930JD1 Model B (OLD), 970JD1 (OLD), 971N (OLD).	54S45RTA	1MT412-R	3	
530J (OLD), 630J (OLD), 830JD2 Model B (OLD), 930JD2 Model C, 970N (OLD).	54S45RTA 54S46BTA	1MT412-R 1MT414-B	3 3	
<u>TAYLOR.</u> 513J, 631J, 831J Model B, 931J Model B.	54S43RTA 54S44GTA	1MT411-R 1MT413-G	3 3	
<u>TAYLOR.</u> 532J, 632J.	54S48RTA 54S49GTA 54S50BTA	1MT422-R 1MT421-G 1MT423-B	3 3 3	
<u>TAYLOR.</u> 833K5	54S47RTA	1MT412V-R	3	



Model	OEM Part	Our Equivalent	Pk	ABB KENT-TAYLOR
<u>TAYLOR.</u> 830JD1 Model B (NEW), 870JD1 (NEW), 870N (NEW), 871N (NEW) 930JD1 Model B (NEW), 970JD1, 970N (NEW), 971N (NEW), 1301J Model A.	54S125RTA	1MT432-R	3	
530J (NEW), 630J (NEW) 830JD2 Model C (NEW), 830JD2 Model D, 930JD2 Model C (NEW), 930JD2 Model D, 1302J Model A.	54S125RTA 54S126GTA	1MT432-R 1MT433-G	3 3	
<u>TAYLOR.</u> 1321J Model A, 1331J Model A, 1401J Model A, 1411J Model A.	54S135RTA	1MT363-R	2	
1322J Model A, 1332J Model A, 1402J Model A, 1412J Model A.	54S135RTA 54S136GTA	1MT363-R 1MT364-G	2 2	
1323J Model A, 1333J Model A, 1403J Model A, 1413J Model A.	54S135RTA 54S136GTA 54S137BTA	1MT363-R 1MT364-G 1MT362-B	2 2 2	
1334J Model A. 1414J Model A.	54S135RTA 54S136GTA 54S137BTA 54S138PTA	1MT363-R 1MT364-G 1MT362-B 1MT361-V	2 2 2 2	

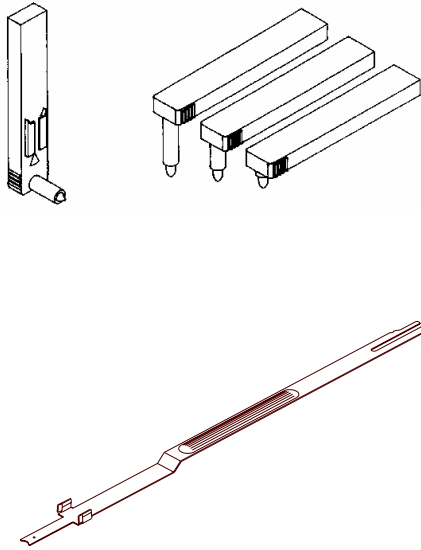
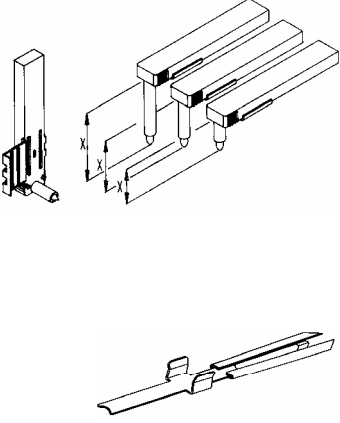


Model	OEM Part	Our Equivalent	Pk	ABB KENT-TAYLOR
<u>TAYLOR.</u>				
2.3cc INK CARTRIDGES USED ON METAL CAPILLARY PENS.				
USED ON THE FOLLOWING METAL PENS:- 54S135, 54S136, 54S137, 54S138.	96S165 96S166 96S167 96S168	2R103-R 2R103-G 2R103-B 2R103-V	2 2 2 2	
<u>TAYLOR.</u>				
1.5cc INK CARTRIDGES USED ON METAL CAPILLARY PENS.				
USED ON THE FOLLOWING METAL PENS:- 54S34, 54S41, 54S42, 54S43, 54S44, 54S45, 54S46, 54S48, 54S49, 54S125, 54S126, 54S127.	96S121 96S122 96S123	2R102-R 2R102-G 2R102-B	3 3 3	
<u>TAYLOR.</u>				
1413J	96S124B 96S124G 96S124R	3CC250-B01 3CC250-G01 3CC250-R01	1 1 1	
<u>TAYLOR.</u>				
195J SAFETY LIMIT THERMAL RECORDER.	500S1664 500S1665	1MT941-B 1MT942-R	1 1	
	500S1668	9K94	1	



Model	OEM Part	Our Equivalent	Pk	ABB KENT-TAYLOR
<u>TAYLOR.</u>				
76J/120R FULSCOPES	54S205RTA	1UD201-R	6	
	54S205BTA	1UD201-B	6	
	54S205GTA	1UD201-G	6	
	54S206RTA	1UD202-R	6	
	54S206BTA	1UD202-B	6	
	54S207RTA	1UD203-R	6	
	54S207BTA	1UD203-B	6	
	54S207GTA	1UD203-G	6	
	54S207PTA	1UD203-V	6	
	54S208BTA	1UD204-B	6	
	54S208PTA	1UD204-V	6	
	54S208GTA	1UD204-G	6	
	54S208BK	1UD204-N	6	
	51P713	9K20 PEN ARM	1	
	<u>TAYLOR.</u>			
76J/120R FULSCOPES	54S205RTA	1UD241-R	6	<p>FOR PEN ARM TYPE</p>
	54S205BTA	1UD241-B	6	
	54S205GTA	1UD241-G	6	
	54S206RTA	1UD242-R	6	
	54S206BTA	1UD242-B	6	
	54S207RTA	1UD243-R	6	
	54S207BTA	1UD243-B	6	
	54S207GTA	1UD243-G	6	
	54S207PTA	1UD243-V	6	
	54S208BTA	1UD244-B	6	
	54S208PTA	1UD244-V	6	
	54S208GTA	1UD244-G	6	
	54S208BK	1UD244-N	6	

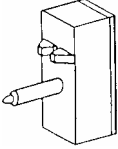
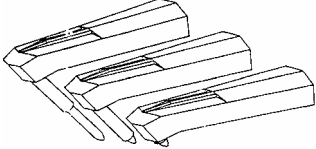


Model	OEM Part	Our Equivalent	Pk	ABB KENT-TAYLOR
<u>TAYLOR.</u> 1900J ER/C	54S206RTA 54S207GTA 54S205BTA 500P1068 500S1150-1 500S1150-2 500S1150-3	1UD202-R 1UD203-G 1UD201-B 9K500P1068 PEN ARM 1UD242-R 1UD243-G 1UD241-B	6 6 6 1 5 5 5	
<u>TAYLOR.</u>	155S175-3 155S175-4 155S175-5 155S175-6 155S175-8 51P713	1UD242-R 1UD242-B 1UD243-R 1UD243-B 1UD244-V (the above pens are supplied with conversion clips) 9K20	4 4 4 4 4 1	

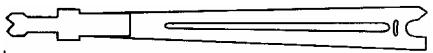

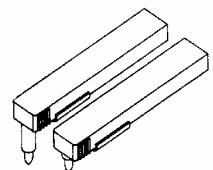
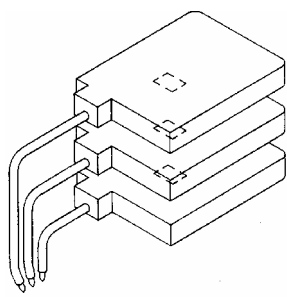


Model	OEM Part	Our Equivalent	Pk	ABB KENT-TAYLOR
<u>TAYLOR.</u> COMMANDER 1900 SERIES.	C1900-0119 C1900-0120 C1900-0121 C1900-0122 C1900-0123 C1900-0075 C1900-0077 C1900-0076 C1900-0078	1UD204-N 1UD201-B 1UD202-R 1UD203-G 1UD204-V 9KUD20K01 9KUD20EK01 9KUD20T01 9KUD20ET01	3 3 3 3 3 1 1 1 1	
<u>TAYLOR.</u> TRACELEC	B73236 B73237 B73238 B73239	1MT661-R 1MT662-B 1MT663-V 1MT664-G	3 3 3 3	
<u>TAYLOR.</u>	54P120-1 54P120-2 54P120-3 54P120-4	9K54P1201 9K54P1202 9K54P1203 9K54P1204	1 1 1 1	



Model	OEM Part	Our Equivalent	Pk	ABB KENT-TAYLOR
TAYLOR. 288-1014A;1428m371		1SD32-R02	6	
<div style="border: 1px solid black; padding: 10px; width: fit-content; margin: 0 auto;"> <p>KENT (FOSTER CAMBRIDGE) CIRCLE CHART RECORDERS (PRE P105M) CAN BE CONVERTED FROM THE ORIGINAL INK CAPSULE PENS TO FTD PENS WITH EITHER 1FD34 SERIES, WHICH FIT DIRECTLY ONTO THE ORIGINAL OEM ARMS, OR 9KUD19 ARMS WHICH PERMIT THE USE OF OUR UD24 PEN SERIES TO BE FITTED. THESE ARMS ARE EASY TO FIT AND UD24 GIVES ATLEAST TWICE THE LINE LENGTH.</p> </div>				
P70M, C105, P105T, M105, TH105.	P70M/0071 15321-287 B8531 P70M/0072 15327-288 B8532	1FD342-R	5	
P105M, PX105, PXR105.	P105M/0301	1FD341-G	5	
	P105M/0302			
	P105M/0303	1FD341-G	5	
		1FD342-R	5	
		1FD343-V	5	
<div style="border: 1px solid black; padding: 5px; width: fit-content; margin: 0 auto;"> <p>CONTINUED ON NEXT PAGE</p> </div>				


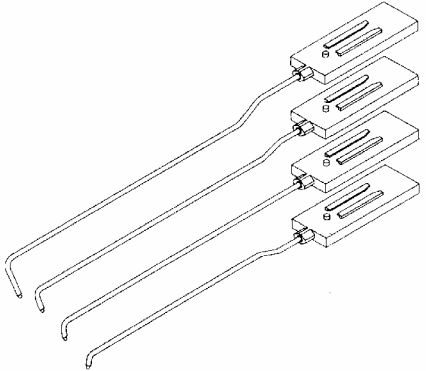


Model	OEM Part	Our Equivalent	Pk	ABB KENT-TAYLOR
<p>THESE ARE ORIGINAL FD34 PEN ARM PART NUMBERS BELOW. WHICH ARE USED WITH THE ABOVE FD34 PENS. WE CANNOT SUPPLY THE ORIGINAL ARMS. ALTERNATIVELY WE CAN OFFER THE CONVERSION ARMS BELOW TO CONVERT TO OUR UNIVERSAL 1UD24 PEN SERIES.</p>				
P105T, M105 1 CHANNEL 2 CHANNEL UPPER 2 CHANNEL LOWER	15-231-325 15-231-325 15-231-326	9KUD1910 9KUD1910 9KUD1911	1 1 1	  
C105 1 CHANNEL 2 CHANNEL UPPER 2 CHANNEL LOWER (NEWER TYPE) 2 CHANNEL LOWER (OLDER TYPE)	15-231-327 15-231-327 15-231-328 15-231-329	9KUD1912 9KUD1912 9KUD1913 9KUD1914	1 1 1 1	
<p>USING EITHER CONV. ARM 9KUD1910 OR 14.</p>				
	15321-287 (B8531)	1UD241-R.	6	
<p>USING EITHER CONV. ARM 9KUD1911/12 OR 13.</p>				
	15321-288 (B8532)	1UD242-B	6	
<u>KENT TIEGHI.</u> P3000 F-RH, P4000 F-RH, P4000 L-RH.	AB 540 50530/1 AB 540 50540/1 AB 540 50550/1	1MX181-R 1MX182-G 1MX183-B	1 1 1	


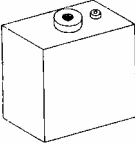
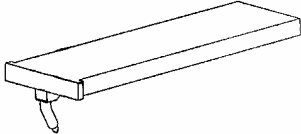


Model	OEM Part	Our Equivalent	Pk	ABB KENT-TAYLOR		
<u>KENT PROCESS CONTROLS.</u>						
FLEXEL & FLEXAIR RECORDER CONV. ARMS.	2/FMF1476	9K141 USING A 1MT141-R	10 5			
	2/FMF1477	9K142 USING A 1MT142-G	10 5			
	2/FMF1478	9K143 USING A 1MT143-B	10 5			
<p>NOTE: OUR MT19 SERIES BELOW HAS BEEN DEVELOPED FOR USE AS A DIRECT EQUIVALENT OF OTHER MANUFACTURERS FTD CONVERSIONS FOR FLEXEL & FLEXAIR RECORDERS. WHERE NO PREVIOUS CONVERSION EXISTS, USE MT14 WITH K14 SERIES CONVERSION CLIPS.</p>						
ORIGINAL CAPILLARY SYSTEM.		1MT191-R 1MT192-G 1MT193-B	5 5 5			
	2/FMF1476 2/FMF1477 2/FMF1478	9KP01 9KP02 9KP03	1 1 1			
	FLX7603 FLX7606 YBL002 4000.1932	2R202-B " " " "	10			
	FLX7604 FLX7607 YBL003 4000.1933	2R202-R " " " "	10			
	FLX7605 FLX7608 YBL004 4000.1934	2R202-G " " " "	10			
	<div style="border: 1px solid black; padding: 5px; display: inline-block;">CONTINUED ON NEXT PAGE.....</div>					



Model	OEM Part	Our Equivalent	Pk	ABB KENT-TAYLOR
<u>KENT PROCESS CONTROLS.</u>	IXX4069 FMF1967 4000.1967	9KP04 PIERCE UNIT FOR 2R202 CARTS.	1	
	4900.0010	9PRLN PEN CLEANER.	1	
	2/YB1122 2600.0001	4K-2-270-48 D FOR 9KP01-3	1	
	YBL0005 2605.0001 B5691	7RB PRIMING BULB	1	
<u>FOSTER CAMB.</u>				
KENT P3000 RECORDERS WITH HORIZONTAL SCALES CAN EASILY BE CONVERTED TO FTD PENS BY USING THE REPLACEMENT PEN ARMS LISTED BELOW.				
P3000 RECORDERS. PEN ARM FOR CHANNEL 2-4.		9K48A	12	
PEN ARM FOR CHANNEL 1. (SHORTEST)		9K48AS	1	
LOWER SHORT PEN	4010 7180 4010 7200	1MT481-V 1MT482-B	3 3	
UPPER LONG PEN	4010 7170	1MT483-G	3	
	4010 7190	1MT484-R	3	
WHEN CONVERTING, ONE OF THE ORIGINAL SCREWS SHOULD BE USED AS THE THIRD SCREW ON THE CONVERSION..				


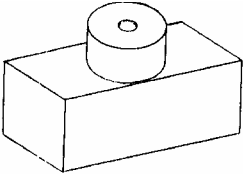
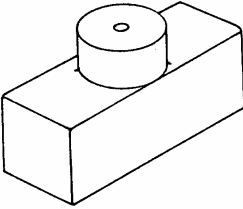


Model	OEM Part	Our Equivalent	Pk	ABB KENT-TAYLOR
FOSTER CAMB.				
P100L-P102L SERIES	2/YB1115 (B6377)	2N500-R	4	
	2/YB1116 (B6378)	2N500-G	4	
	2/YB1117	2N500-V	4	
FOSTER CAMB.				
P250L	P250L71/2751	9P250/71/2751	1	 2S301
	B4572 B5879	2S301-R 2S301-N	1 1	
CAPILLARY RECORDERS- P100L, P102L, P101L, P120L, P125L, P250L (INSTALLATION TOOL WITH EACH PACK).	B4923	4B-2-160-35TX4	1	
<div style="border: 1px solid black; padding: 5px; width: fit-content; margin: 0 auto;"> WE CAN OFFER A CONVERSION FOR THE P250L RECORDERS, CONVERTING THE CAPILLARY PENS TO FTD PENS. </div>				
P120L & P125L	P250/71/2751	9K59 PEN ARM	1	
		1MT59-R FTD 1MT59-N FTD	3 3	
	B5991 B5992 B6041	2S311-R 2S311-B 2S311-G	4 4 4	
<div style="border: 1px solid black; padding: 5px; width: fit-content; margin: 0 auto;"> THE ORIGINAL METAL PEN ASSEMBLIES FOR ALL THE ABOVE STRIP CHART RECORDERS ARE AVAILABLE IF REQUIRED. NOTE THAT THE 3 CHANNEL P103L WAS NEVER MANUFACTURED WITH A CAPILLARY PEN SYSTEM. </div>				



Model	OEM Part	Our Equivalent	Pk	ABB KENT-TAYLOR
<u>KENT IND. MEAS.</u>				
	FRMV46 FRMV47 FRMV48	3OZ1-B01 3OZ1-G01 3OZ1-N01	12 12 12	
<u>FOSTER CAMB.</u>				
P120 CLEARSPAN (74281-3 SERIES)	74282-1416 74283-1416	9T2/10-FC2 9T2/10-FC3	1 1	
<u>KENT IND. MEAS.</u>				
P120L	P120L/21/1062 P120L/21/1090	9KIM1062 9KIM1090	1 1	
P125L	P125L/21/1386 P125L/21/1387	9KIM1386 9KIM1387	1 1	
<div style="border: 1px solid black; padding: 10px; width: fit-content; margin: 0 auto;"> <p>WE HAVE CONVERSION TO FTD PENS BUT THESE INVOLVE DISCARDING THE LOWER SCALE BAR WHEN CONVERTING TWO CHANNEL RECORDERS. DETAILS ARE AVAILABLE ON REQUEST.</p> </div>				
SINGLE CHANNEL	P120L/21/1062 P120L/21/1090	9K570/1 9K570 1MT571-R	1 1 3	
TWO CHANNEL	P125L/21/1386 P125L/21/1387	9K572 1MT572-R FRONT PEN 9K571 1MT571-G REAR PEN	1 3 1 3	



Model	OEM Part	Our Equivalent	Pk	ABB KENT-TAYLOR
<u>FOSTER CAMB.</u>	P101L-0043 P102L-0048 P103L-0576T	9A016 9A017 9A018	1 1 1	
<u>KENT LEA.</u>	14349 14359	2N100-# 2N100-#	4 4	
AVAILABLE IN EITHER B,G,N,R OR V.				
<u>KENT LEA.</u> 'E' SERIES	N/A	1PB20-V FITS ORIGINAL ARM	1	
<u>KENT PROCESS CONTROLS.</u>	2/YB1110 2/YB1111 2/YB1112	2S401-R 2S401-B 2S401-G	4 4 4	
<u>KENT TIEGHI.</u>	2602.0005 2602.0006 2602.0007	2S411-R 2S411-B 2S411-G	4 4 4	



Model	OEM Part	Our Equivalent	Pk	ABB KENT-TAYLOR
<p><u>KENT PROCESS CONTROLS.</u></p>				
<p>KENT COMMANDER CIRCLE CHART RECORDERS CAN BE CONVERTED TO USE OUR 1UD24 SERIES FTD PENS BY FITTING THE ARMS LISTED BELOW.</p>				
SINGLE CHANNEL AND 1 ST , SHORTEST	PEN ARM FTD PEN	9KUD1916 1UD242-#	1 6	
SECOND CHANNEL, LONGEST.	PEN ARM FTD PEN	9KUD1915 1UD243-#	1 6	
<p>WE CAN SUPPLY OUR 1UD24 FTD SERIES IN A VARIETY OF COLOURS, EITHER B,G,N,R OR V.</p>				
PR100 PR250 SR100	PR100-0211	6PH02 (6 COLOUR)	1	
PR100 PR250 SR100	PR100-0210	6PH03 (3 COLOUR)	1	