

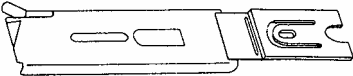
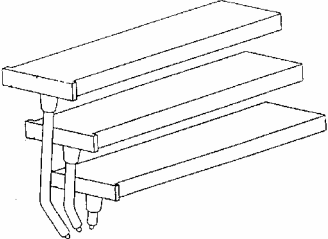




Model	OEM Part	Our Equivalent	Pk	CHESSELL
301 CAPILLARY SYSTEMS.	BK127743 TUBING	7CSW80	1m	 
	HL101401	4N38 TIP	1	
	JA127744 (SUN017)	7RB PRIMING BULB.	1	
	LA100901	9LA100901	1	
	LA100902	9LA100902	1	
	LA100903	9LA100903	1	
	EG127745 (SUN018)	2N500-R	4	
	EG127746 (SUN019)	2N500-G	4	
	EG127747 (SUN020)	2N500-B	4	
	EG127748 (SUN021)	2N500-N	4	
<p>THE 301 CAPILLARY RECORDER CAN BE CONVERTED TO TAKE OUR 1MT24 PEN SERIES BY USING THE ARMS AND PENS LISTED BELOW. WE CAN ONLY SUPPLY A CARRIAGE WHICH REPLACES THE ORIGINAL ARM BUT USES THE ORIGINAL FITTINGS WHEN CONVERTED. THE ORIGINAL KIT CONSISTS OF A HINGE, WASHER, SCREW AND A PLUG.</p>				
	LA125330 KIT LA124570 PEN ARM	9K241	1	
	LA125331 KIT LA124571 PEN ARM	9K242	1	
	LA125332 KIT LA124572 PEN ARM	9K243	1	
300-D, 305, LC100, LC101.	LA125431 LA125451 LA202387	1MT241-B	3	
301-D, 301-V, 309, 3003D.	LA125431 LA125451 LA202387	1MT241-B	3	
	LA125432 LA125452 LA202389	1MT242-R	3	

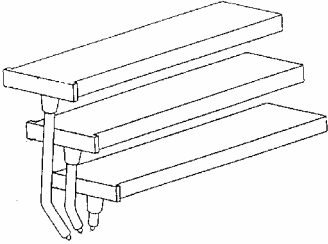
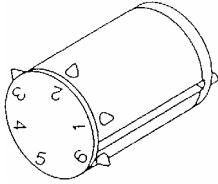
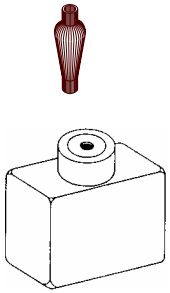


CROWN GRAPHIC

MARKING SYSTEMS CATALOGUE

AUGUST 2004

PAGE C08.02

Model	OEM Part	Our Equivalent	Pk	CHESSELL
	LA125433 LA125453 LA202391	1MT243-G	3	
	LA233461 LA126851 LA202390	1MT241-R	3	
	LA126852 LA202388	1MT242-B	3	
	LA233462	1MT242-G	3	
	LA233463	1MT243-B	3	
306, 346.	LA128969	6PW01	1	
320 CAPILLARY SYSTEM.	BK127743	7CSW80 TUBE	1m	
	HL101401	4N38 TIP	1	
	JA127744 SUN017	7RB PRIMING BULB.	1	
	SUN040 (EG127754)	2S601B-B	4	
	SUN041 (EG127755)	2S601B-R	4	
	SUN042 (EG127756)	2S601B-N	4	
	SUN043 (EG127757)	2S601B-G	4	
	SUN044 (EG127758)	2S601B-V	4	
	SUN045 (EG127759)	2S601B-M	4	
	SUN040045	2S601B-0	4	

CROWN GRAPHIC LTD, ST PETERS QUAY, TOTNES, DEVON, TQ9 5XH, UK

TEL : +44 (0)1803 860100 FAX : +44 (0)1803 863838 EMAIL : sales@crowng.com WEB : http://www.crowng.com

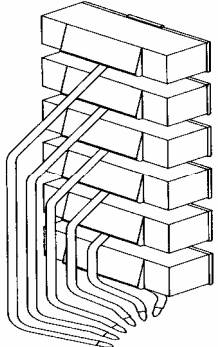
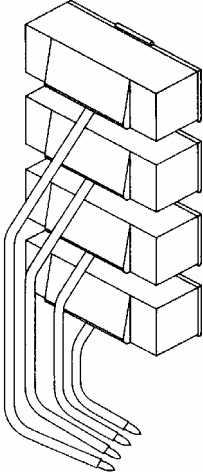


CROWN GRAPHIC

MARKING SYSTEMS CATALOGUE

AUGUST 2004

PAGE C08.03

Model	OEM Part	Our Equivalent	Pk	CHESSELL
320 FTD RECORDER, 3020, 3026	LA128961 LA128962 LA128963 LA128964 LA128965 LA128966	1MT631-G 1MT632-R 1MT633-B 1MT634-N 1MT635-V 1MT636-M	1 1 1 1 1 1	
321	LA234423 LA234424 LA234425 LA202607 LA203810 LA200266	1MT637-G 1MT637-B 1MT638-R 1MT639-B 1MT639-G 1MT630-N	1 1 1 1 1 1	

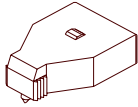
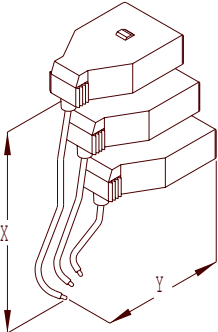
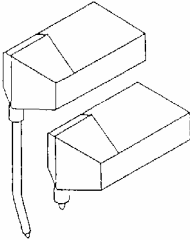
CROWN GRAPHIC LTD, ST PETERS QUAY, TOTNES, DEVON, TQ9 5XH, UK

TEL : +44 (0)1803 860100 FAX : +44 (0)1803 863838 EMAIL : sales@crowng.com WEB : http://www.crowng.com

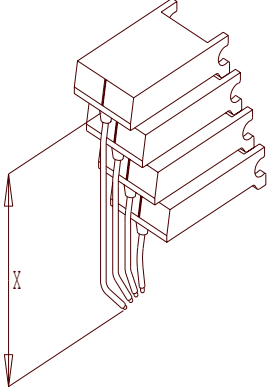
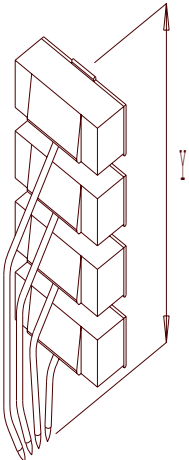


Model	OEM Part	Our Equivalent	Pk	CHESSELL
390, 392.	LA203211 LA203281 LA203191 LA203291	1UD231-B	2 2 5 5	
	LA203212 LA203282 LA203192 LA203292	1UD232-R	2 2 5 5	
	LA203213 LA203283 LA203193 LA203293	1UD233-G	2 2 5 5	
	LA203214 LA203284 LA203194 LA203294	1UD234-N	2 2 5 5	
	LA203132U001 BA203132	9K23	1	
340 SERIES, 342, 344, 345.	LA235347 LA243771	1MT911-B	1	
	LA235348 LA243772	1MT912-R	1	
	LA235349 LA243773	1MT913-G	1	
	LA204337	1MT911-R	1	
	LA204852 LA204858 LA204338	1MT912-B 1MT912-N 1MT912-G	1 1 1	
	LA204339	1MT913-B	1	
	LA244770	1MT91A-V	1	



Model	OEM Part	Our Equivalent	Pk	CHESSELL
342D	LA247158 LA249956	1MT910-N	1	
	LA246521 LA246521U100	1MT914-B	1	
	LA246522 LA246522U100	1MT915-R	1	
	LA246523 LA246523U100	1MT916-G	1	
	LA205645U100 LA205646U100 LA205646U200	1MT914-R 1MT915-B 1MT915-N	1 1 1	
	LA235350 LA243770	1MT91A-V	1	
BD7, BD8, BD9, BD10, BD11, BD12, BD30, BD40, BD41.	LZ127890 XR13/1	1MT271-R	5	
	LZ127886 XR12/1	1MT272-R	5	
	LZ127887 XR12/2	1MT272-B	5	
	LZ127889 XR12/4	1MT272-N	5	



Model	OEM Part	Our Equivalent	Pk	CHESSELL
4100 SERIES, MODELS 4101C, 4102C, 4103C.	LA249554	1MX161-V	1	
	LA249553	1MX162-G	1	
	LA249552	1MX163-R	1	
	LA249551	1MX164-B	1	
4250C	LA244371	1MX171-G	1	
	LA244372	1MX172-R	1	
	LA244373	1MX173-B	1	
	LA244374	1MX174-N	1	
4101M,4102M,4103M	LA249556	6PH01	1	
4108	LA248163	6PH04	1	