


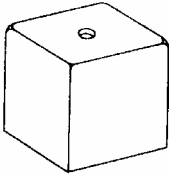
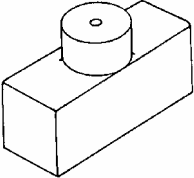
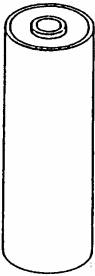


CROWN GRAPHIC

MARKING SYSTEMS CATALOGUE

AUGUST 2004

PAGE M19.01

Model	OEM Part	Our Equivalent	Pk	MOORE PRODUCTS
STRIP CHART RECORDERS 3X6 & 6X6. 5300 SERIES, 363 SERIES.	14230-273	2R310-B		
	14230-274	2R310-R	4	
	14230-275	2R310-G	4	
	14230-424	2R310-R	4	
	14230-425	2R310-B	4	
	14230-426	2R310-G	4	
	14230-79	2R310-O	4	
14230-247-S	4G227246X4	1		
	10752-320 10752-321 10752-322	2S211-R 2S211-B 2S211-G	4 4 4	
	10752-324 10752-325 10752-326	2S411-R 2S411-B 2S411-G	4 4 4	
	10700-183-S 10700-184-S 10700-185-S	2N300-R 2N300-B 2N300-G	4 4 4	
5319,5329,5339 360,361,3601,3611 (3" x 6")	14960-26/16070-26 14960-27/16070-27 14960-28/16070-28	1MX281R01 1MX282B01 1MX283G01	3 3 3	

CROWN GRAPHIC LTD, ST PETERS QUAY, TOTNES, DEVON, TQ9 5XH, UK

TEL : +44 (0)1803 860100 FAX : +44 (0)1803 863838 EMAIL : sales@crowng.com WEB : http://www.crowng.com