

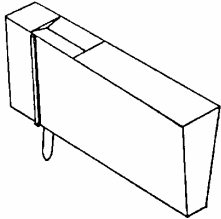
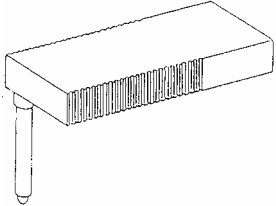


CROWN GRAPHIC

MARKING SYSTEMS CATALOGUE

AUGUST 2004

PAGE M22.01

Model	OEM Part	Our Equivalent	Pk	MOUNT SOPRIS
3310 SERIES.	PF-0501	1FD21-R	10	
	PF-0502	1FD21-N	10	
	PF-0503	1FD21-B	10	
	PF-0504	1FD21-M	10	
	PF-0505	1FD21-V	10	
	PF-0506	1FD21-G	10	
STRIP CHART RECORDERS.	LEFT HAND NIB	1FD29L19-N	5	
		1FD29L19-R	5	
	CENTRE NIB	1FD29L19-N	5	
		1FD29L19-R	5	
	RIGHT HAND NIB	1FD29L19-N	5	