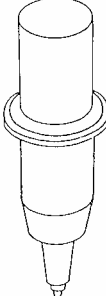
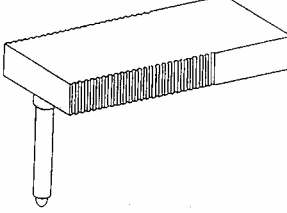




Model	OEM Part	Our Equivalent	Pk	B.N. ELECTRONICS
PL450		1CY20P3-# 1CY20P5-# 1CY20P7-# 1CY20RB-#	5 5 5 5	
<p>WE OFFER THE CY20 FTD PEN RANGE IN A VARIETY OF COLOURS, EITHER A,B,C,G,M,N,O,R,V OR Y.</p>				
MODEL 929		1FD29C09-B 1FD29C09-G 1FD29C09-N 1FD29C09-R  1FD29C31-B 1FD29C31-G 1FD29C31-N 1FD29C31-R	5 5 5 5  5 5 5 5	
MODEL 919		1PB3-B03 1PB3-G03 1PB3-N03 1PB3-R03	5 5 5 5	