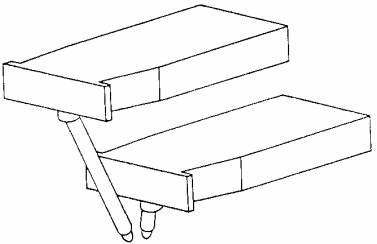
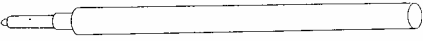
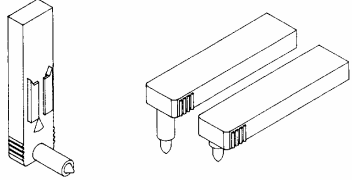
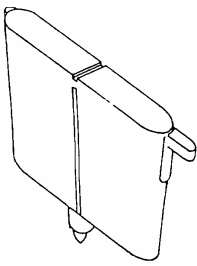
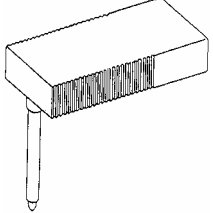
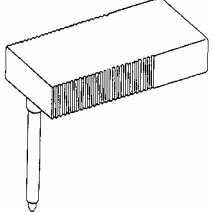
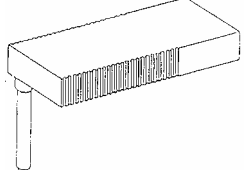
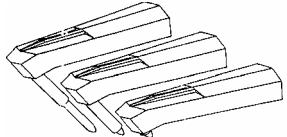


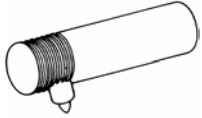
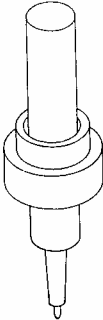
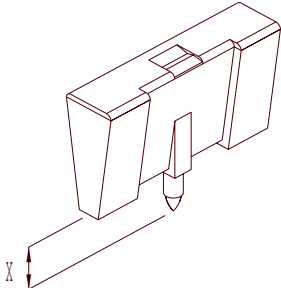


Model	OEM Part	Our Equivalent	Pk	OMEGA ENGINEERING
RD541, RD543.	RDX 540-BK1 RDX 540-RD1 RDX 540-GN1 RDX 540-BL1	1MT681-N03 1MT681-R03 1MT681-G03 1MT681-B03	1 1 1 1	
RD542, RD544.	RDX 540-BK1 RDX 540-RD1 RDX 540-GN1 RDX 540-BL1 RDX 540-BK2 RDX 540-RD2 RDX 540-GN2 RDX 540-BL2	1MT681-N03 1MT681-R03 1MT681-G03 1MT681-B03 1MT682-N03 1MT682-R03 1MT682-G03 1MT682-B03	1 1 1 1 1 1 1 1	
RDX545	RDX 545-BK1 RDX 545-RD1 RDX 545-GR1 RDX 545-BL1	1CY19-N 1CY19-R 1CY19-G 1CY19-B	5 5 5 5	
CT400 SERIES TEMP./HUMIDITY RECORDES.	CT-400-PEN-BLUE CT-400-PEN-RED	1UD212-B 1UD211-R	1 1	
RD3023, 3024, 3025 X-Y's. RD3057-11, 12, 13, 21, 22, 23.	RD3020-01 RD3057-01 RD3020-02 RD3057-02	1FD19-R 1FD19-G	3 3	

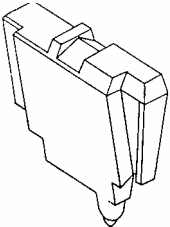
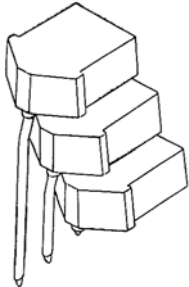
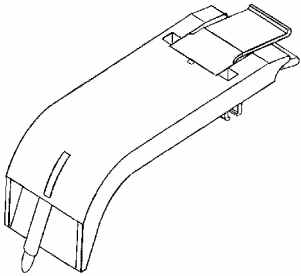


Model	OEM Part	Our Equivalent	Pk	OMEGA ENGINEERING
595, RD-2053, 63.	0100-0131	1FD29C26-B	5	
	0100-0132	1FD29C38-G	5	
141, 142, 143, RD-145, RD-1201, RD-2010, 20, 51, 53, 61, 63, 81, 81A, 555, 595.	0100-0105	1FD29C09-B	5	
	0100-0106	1FD29C09-R	5	
	0100-0107	1FD29C09-N	5	
	0100-0108	1FD29C09-G	5	
RD-146, RD-1202, RD-1230, 52, 62, 82, 82A, 585.	0100-0105	1FD29C09-B	5	
	0100-0106	1FD29C09-R	5	
	0100-0107	1FD29C09-N	5	
	0100-0108	1FD29C09-G	5	
	0100-0109	1FD29C31-B	5	
	0100-0110	1FD29C31-R	5	
	0100-0111	1FD29C31-N	5	
	0100-0112	1FD29C31-G	5	
RD61, 62, 63 XY's, RD500, 510, RD7510, 7520, 7610, 7620, 7710, 7720.	RDX-7000-RED	1FD29L09-R	5	
	RDX-7000-BK	1FD29L30-N	5	
CT1100, 1100A, 1121, 1200, 1200A, 1205A-MB, 1214, 1221, 1300A, 1305A-MB, 1315, 1700.	CT1000-GR	1FD341-G	5	
	CT1000-RD	1FD342-R	5	
	CT1000-PR	1FD343-V	5	
	CT1000-BL	1FD343-B	5	

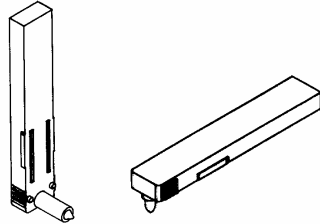
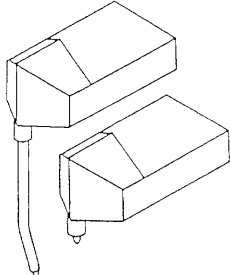
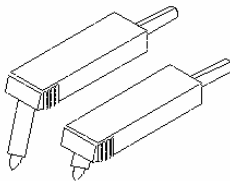


Model	OEM Part	Our Equivalent	Pk	OMEGA ENGINEERING
156	0100-0101 0100-0102 0100-0103 0100-0104	1PB3-B03 1PB3-R03 1PB3-N03 1PB3-G03	5 5 5 5	
DAP781, DAP782.	DAPX-780-BK SL-112 DAPX-780-BL SL-111 DAPX-780-BR SL-114 DAPX-780-GR SL-113 DAPX-780-MG SL-116 DAPX-780-OR SL-117 DAPX-780-RD SL-110 DAPX-780-YW SL-115	1CY10P5-N 1CY10P5-B 1CY10P5-M 1CY10P5-G 1CY10P5-A 1CY10P5-O 1CY10P5-R 1CY10P5-Y	5 5 5 5 5 5	
RD351, 352, 352A, 353, 353A, 354, 355, 356, 364, 364A, 365, 366, 366A.	RDX350-BK RDX350-RD RDX350-BL RDX350-GR RDX350-BR RDX350-VT	1FD3-N 1FD3-R 1FD3-B 1FD3-G 1FD3-M 1FD3-V	1 1 1 1 1 1	

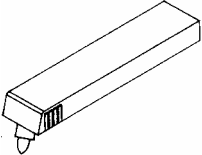
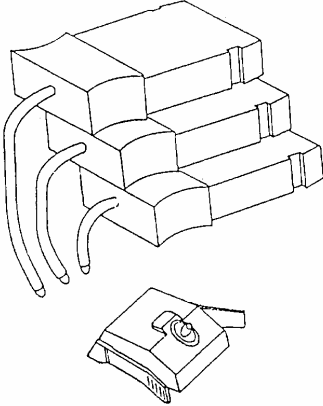
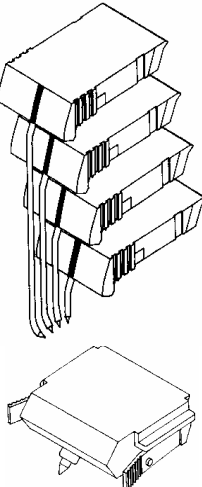


Model	OEM Part	Our Equivalent	Pk	OMEGA ENGINEERING
DAR130, DAR131, DAR132, DAR133, 600/610 SERIES FLATBED, 6400 SERIES.	DARX-130-BK SL-103	1FD33-N	3	
	DARX-130-BL SL-101	1FD33-B	3	
	DARX-130-GN SL-102	1FD33-G	3	
	DARX-130-RD SL-100	1FD33-R	3	
	SL-104	1FD33-M	3	
	SL-105	1FD33-V	3	
790 X-Y, RD6112.	SL-301	1MT081-R	1	
620, 640, RD6110, RD6111.	SL-301	1MT081-R	1	
	SL-302	1MT082-B	1	
630	SL-301	1MT081-R	1	
	SL-302	1MT082-B	1	
	SL-303	1MT083-G	1	
RD3720 SERIES LAB RECORDERS.	RD3720-01 RD3720-02 RD3720-03 RD3720-04	1FD14-R 1FD14-G 1FD14-B 1FD14-M	3 3 3 3	



Model	OEM Part	Our Equivalent	Pk	OMEGA ENGINEERING
CT811, CT817, CT821, CT827.	CTH-82-PEN-RED	1UD231-R	2	
RD41-05, RD41-06, RD91, 92, 93, 94, X-Y, X-Y/Y-t, X-Y-Y', X-Y-Y'/Y-t.	RDX40-BK RDX40-BL RDX40-GR RDX40-RD1	1MT272-N 1MT272-B 1MT272-G 1MT272-R	6 6 6 6	
RD42-05, RD42-06, RD46.	RDX40-BK RDX40-BL RDX40-GR RDX40-RD1 RDX40-RD2 RDX40-BK2	1MT272-N 1MT272-B 1MT272-G 1MT272-R 1MT271-R 1MT271-N	6 6 6 6 6 6	
CT7100, 7110, 7102, 7102-XPS, 7114, 7200-MA1-XPS, 7202, 7224.	CT-7000-GREEN CT-7000-RED	1UD131-G 1UD132-R	5 5	
QUICK DRY INK.	SL-200 SL-201 SL-202 SL-203 SL-204 SL-205	3OZ1-R02 3OZ1-B02 3OZ1-G02 3OZ1-N02 3OZ1-M02 3OZ1-V02	1 1 1 1 1 1	



Model	OEM Part	Our Equivalent	Pk	OMEGA ENGINEERING
CTPH, CT483RS, CT485B, CT585B SERIES RECORDERS.	CT485-PR	1UD121-R	1	
	CT485-PB	1UD121-B	1	
	CT485-PS	1UD121MIX01 (1x R,B)	2	
	CT585-PS	1UD121MIX02 (1 x R,G)	2	
	CT485-PS-6	1UD121MIX03 (6x R,B)	12	
	CT585-PS-6	1UD121MIX04 (6 x R,G)	12	
111, 112, 113, 121, 122, 123, RD101, RD102, RD103.	RD100-01	1MT441-R	3	
	RD100-02	1MT442-G	3	
	RD100-03	1MT443-B	3	
	RD100-11	1MT44P3-V	3	
RD100A, RD1800 SERIES.	RD100A-01	1MT984-R	3	
	RD100A-02	1MT983-G	3	
	RD100A-03	1MT982-B	3	
	RD100A-04	1MT981-A	3	
	RD100A-11	1MT98P3-V	3	

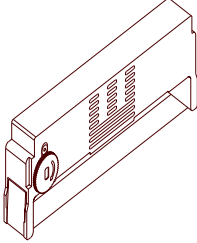


CROWN GRAPHIC

MARKING SYSTEMS CATALOGUE

AUGUST 2004

PAGE 002.07

Model	OEM Part	Our Equivalent	Pk	OMEGA ENGINEERING
RD106	RD100-RC	8RIBBON01	1	
RD1806, RD1812, RD1818, RD1824.	RD110-RC	8RIBBON02	1	