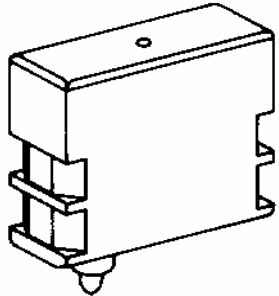
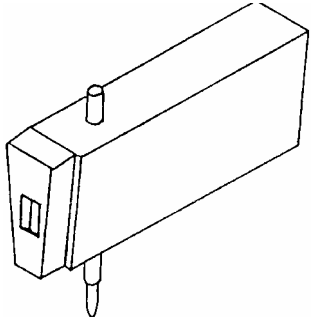





Model	OEM Part	Our Equivalent	Pk	W & W ELECTRONIK
600 SERIES (UPTO SERIAL No 531 3673)	11-0078 11-0081	1FD27-R	6	
	11-0080 11-0083	1FD27-N	6	
	11-0079 11-0082	1FD27-B	6	
		1FD27-M	6	
		1FD27-V	6	
		1FD27-G	6	
	MCR330, MCR340, 306, 312, 314, 316, 318, 600, 900, 300, 310, 340, 500, 320, 342, 344, 346.	11-0102.1 15-0250/3 WW REC P5 RE-5	1FD21-R	
11-0100.5 15-0253/3 WW REC P5 BL-5		1FD21-N	10	
11-0101.3 15-0252/3 WW REC P5 BU-5		1FD21-B	10	
11-0118.7		1FD21-M	10	
11-0121.1 11-0119.5 15-0255/3 WW REC P5 VI-5		1FD21-V	10	
11-0103.9 15-0251/3 WW REC P5 GR-5		1FD21-G	10	
11-0120.3 15-0254/3 WW REC P5 OR-5		1FD21-O	10	
11-0258 15-0354/3 WW REC P5 YG-5		1FD21-L	10	



Model	OEM Part	Our Equivalent	Pk	W & W ELECTRONIK
500, 500SP, 520, 540, PCR500, DCR520C, DCR540, DCR520F.	15.043.9 WW REC P5 BL-5	1FD36-N	3	
	15.045.6 WW REC P5 BU-5	1FD36-B	3	
	15.046.4 WW REC P5 RE-5	1FD36-R	3	
	15.047.2 WW REC P5 GR-5	1FD36-G	3	
	15.048.0 WW REC P5 VI-5	1FD36-V	3	
	15.049.8 WW REC P5 TR-5	1FD36-C	3	
	15.040.6 WW REC P5 BR-5	1FD36-M	3	
15.041.4 WW REC P5 YG-5	1FD36-L	3		
SERIES 1100	11-0034 11-0059 11-0062	1CY6-R	5	
	11-0049 11-0060 11-0061	1CY6-B	5	
1001, 1011, 1100, 1102, 1107, 3212, 4301.	4604	1CY1-N01 1CY1-R01 1CY1-B01 1CY1-G01	3 3 3 3	